


I'm not robot  reCAPTCHA

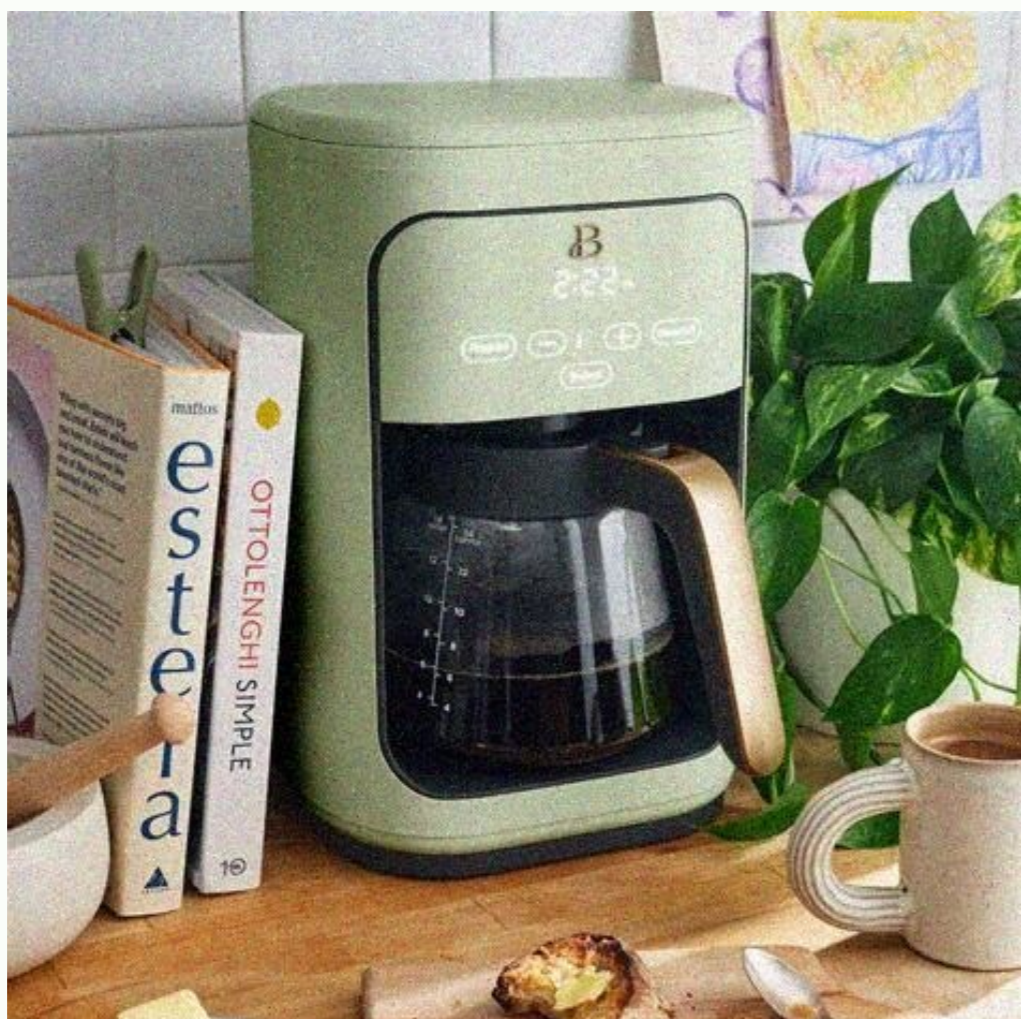
I am not robot!

Beautiful coffee maker manual pdf. Beautiful coffee maker instruction manual. Drew Barrymore beautiful coffee maker manual.

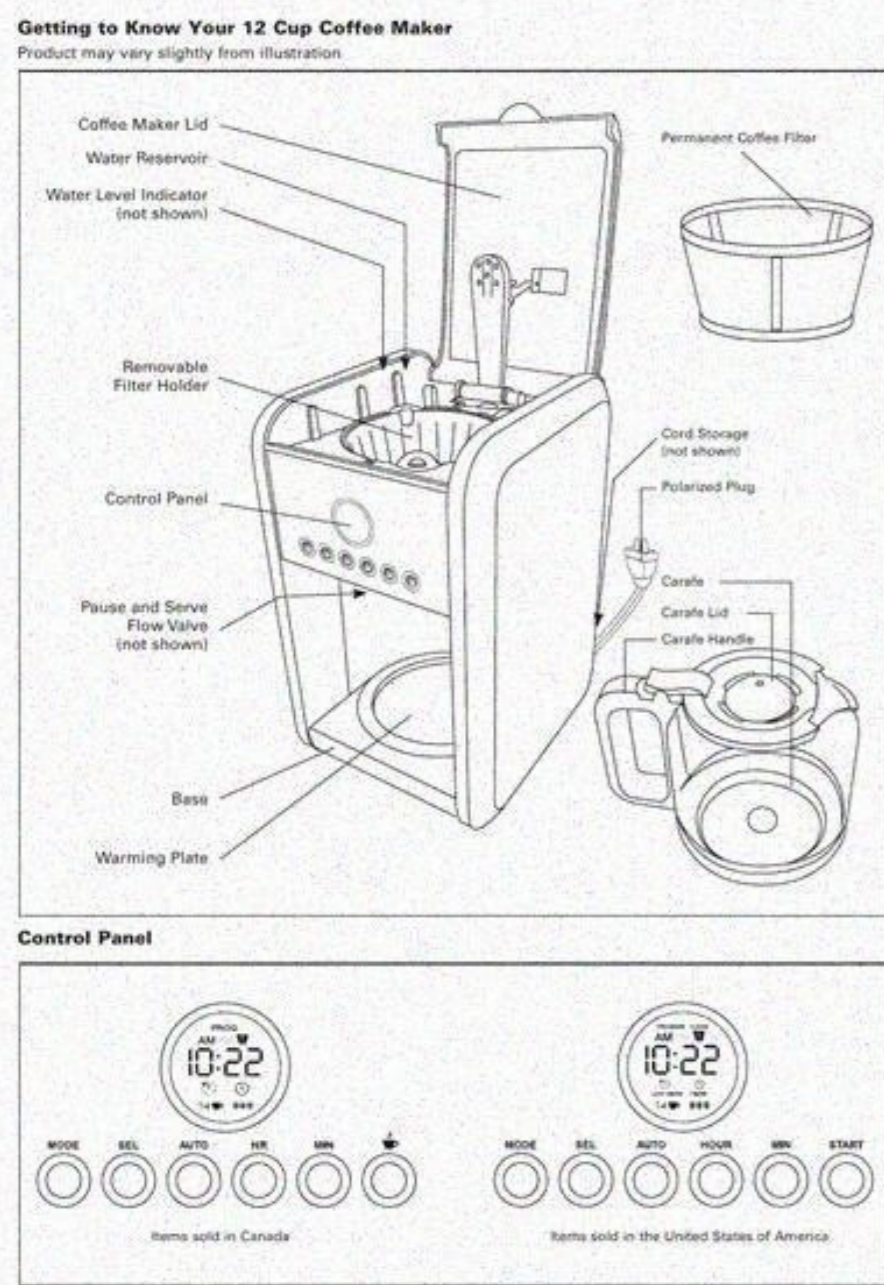
The **Perfect Grind™ Single Serve Coffee Maker** and the **14-Cup Programmable Coffee Maker with Touch-Activated Display** are the latest additions to the Beautiful collection, designed to bring both functionality and aesthetic appeal to your kitchen. These manuals provide guidance for the individual coffee maker (models 19332, 19333, 19334, 19335, 19432, 19433) and the 14-cup programmable maker (models 19027, 19032, 19037, 19017), ensuring a seamless experience in preparing your favorite beverages. The heart of our home is the kitchen, a place filled with joy, culinary creations, shared laughter, and cherished memories. This sentiment fuels the Beautiful line, offering user-friendly kitchenware that not only enhances your cooking and baking endeavors but also serves as a stylish countertop display. Whether it's a lively family baking day or an elegant dinner gathering, these appliances are crafted to make every occasion effortless, enjoyable, and aesthetically pleasing. For safe operation, please adhere to the following guidelines detailed in the manuals: - Important Safeguards (pages 6-8) - Additional Important Safeguards (pages 9-10) - Information on the Grounded 3-Conductor Plug (page 11) - Notes on the Cord (page 11) - Plasticizer Warning (page 12) - Electric Power Instructions (page 12) - Carafe Safety Precautions By integrating these instructions into your routine, you can ensure the longevity of your Beautiful coffee maker and enhance your coffee-making experience. Remember to refer to the 'beautiful coffee maker manual' for a comprehensive understanding and to maintain the quality and safety of your appliance. Discover the essentials of operating your **Beautiful 14-Cup Programmable Coffee Maker** with this comprehensive manual. This guide will walk you through each step, from the initial setup to brewing your perfect cup of coffee. **Section 2: Operating Instructions** - **Coffee Production**: Learn how to maximize your coffee yield. - **Permanent Filter Basket**: Understand the benefits of using the permanent filter. - **Familiarization**: Get acquainted with the features and functions of your coffee maker. - **Touch-Activated Controls**: Navigate the touch-activated display for effortless operation. - **Initial Use**: Prepare your coffee maker for its first brew with ease. - **Brewing Process**: Follow simple steps for brewing coffee immediately or at a later time. - **Time Setting**: Set the current time with our user-friendly interface. - **Brew Later Feature**: Schedule your coffee brewing for future convenience. - **Pause & Serve Function**: Enjoy a cup of coffee even before the brewing cycle completes. - **Coffee Making Tips**: Enhance the flavor of your coffee with our helpful hints. - **Maintenance**: Keep your coffee maker in top condition with regular maintenance. - **Cleaning**: Learn the best practices for cleaning and maintaining your appliance. - **Storage**: Properly store your coffee maker when not in use. - **Warranty**: Review the warranty terms for your peace of mind. For a detailed understanding of safety measures, refer to the safety section which covers important precautions, electrical power guidelines, and carafe safety measures. Incorporating the keyword 'beautiful coffee maker manual', this text is optimized for search engines, ensuring that users can easily find guidance on enjoying their Beautiful 14-Cup Programmable Coffee Maker. Whether you're setting up for the first time or looking for maintenance tips, this manual is your go-to resource for all things related to your beautiful coffee maker.



The **Perfect Grind™ Single Serve Coffee Maker** and the **14-Cup Programmable Coffee Maker with Touch-Activated Display** are the latest additions to the Beautiful collection, designed to bring both functionality and aesthetic appeal to your kitchen. These manuals provide guidance for the individual coffee maker (models 19332, 19333, 19334, 19335, 19432, 19433) and the 14-cup programmable maker (models 19027, 19032, 19037, 19017), ensuring a seamless experience in preparing your favorite beverages. The heart of our home is the kitchen, a place filled with joy, culinary creations, shared laughter, and cherished memories. This sentiment fuels the Beautiful line, offering user-friendly kitchenware that not only enhances your cooking and baking endeavors but also serves as a stylish countertop display. Whether it's a lively family baking day or an elegant dinner gathering, these appliances are crafted to make every occasion effortless, enjoyable, and aesthetically pleasing. For safe operation, please adhere to the following guidelines detailed in the manuals: - Important Safeguards (pages 6-8) - Additional Important Safeguards (pages 9-10) - Information on the Grounded 3-Conductor Plug (page 11) - Notes on the Cord (page 11) - Plasticizer Warning (page 12) - Electric Power Instructions (page 12) - Carafe Safety Precautions By integrating these instructions into your routine, you can ensure the longevity of your Beautiful coffee maker and enhance your coffee-making experience. Remember to refer to the 'beautiful coffee maker manual' for a comprehensive understanding and to maintain the quality and safety of your appliance. Discover the essentials of operating your **Beautiful 14-Cup Programmable Coffee Maker** with this comprehensive manual. This guide will walk you through each step, from the initial setup to brewing your perfect cup of coffee. **Section 2: Operating Instructions** - **Coffee Production**: Learn how to maximize your coffee yield. - **Permanent Filter Basket**: Understand the benefits of using the permanent filter. - **Familiarization**: Get acquainted with the features and functions of your coffee maker. - **Touch-Activated Controls**: Navigate the touch-activated display for effortless operation. - **Initial Use**: Prepare your coffee maker for its first brew with ease. - **Brewing Process**: Follow simple steps for brewing coffee immediately or at a later time. - **Time Setting**: Set the current time with our user-friendly interface. - **Brew Later Feature**: Schedule your coffee brewing for future convenience. - **Pause & Serve Function**: Enjoy a cup of coffee even before the brewing cycle completes. - **Coffee Making Tips**: Enhance the flavor of your coffee with our helpful hints. - **Maintenance**: Keep your coffee maker in top condition with regular maintenance. - **Cleaning**: Learn the best practices for cleaning and maintaining your appliance. - **Storage**: Properly store your coffee maker when not in use. - **Warranty**: Review the warranty terms for your peace of mind. For a detailed understanding of safety measures, refer to the safety section which covers important precautions, electrical power guidelines, and carafe safety measures. Incorporating the keyword 'beautiful coffee maker manual', this text is optimized for search engines, ensuring that users can easily find guidance on enjoying their Beautiful 14-Cup Programmable Coffee Maker. For an ideal coffee experience, the Beautiful 14c Programmable Coffee Maker offers user-friendly tips and maintenance instructions. To ensure the longevity and optimal performance of your coffee maker, follow these guidelines: **Essential Safety Tips**: - Always read the manual thoroughly before use. - Avoid contact with hot surfaces; use the provided handles or knobs. - The coffee maker should not be used by individuals with reduced physical, sensory, or mental capabilities without proper supervision. - Keep the appliance out of children's reach and under close supervision if used near them. - To prevent damage, do not position the coffee maker under cabinets and ensure there's clear space above it. - Never open the lid during the brewing process to avoid potential scalding. - The coffee maker is designed for indoor use only. **Cleaning and Maintenance**: - Disconnect the coffee maker from the power source when not in use and before cleaning. Wait for the unit to cool before attaching or removing parts. - Do not submerge the cord, plug, or the coffee maker itself in water to prevent electrical hazards. - If the appliance has a damaged cord, plug, or is malfunctioning, contact Consumer Service for assistance. Do not attempt to repair the coffee maker yourself as it could void the warranty. - Using unapproved accessory attachments could pose a risk of fire or electric shock. Incorporating the keyword 'beautiful coffee maker manual', this manual provides clear instructions to maintain your coffee maker's beauty and functionality.



For safe operation, please adhere to the following guidelines detailed in the manuals: - Important Safeguards (pages 6-8) - Additional Important Safeguards (pages 9-10) - Information on the Grounded 3-Conductor Plug (page 11) - Notes on the Cord (page 11) - Plasticizer Warning (page 12) - Electric Power Instructions (page 12) - Carafe Safety Precautions By integrating these instructions into your routine, you can ensure the longevity of your Beautiful coffee maker and enhance your coffee-making experience. Remember to refer to the 'beautiful coffee maker manual' for a comprehensive understanding and to maintain the quality and safety of your appliance. Discover the essentials of operating your **Beautiful 14-Cup Programmable Coffee Maker** with this comprehensive manual. This guide will walk you through each step, from the initial setup to brewing your perfect cup of coffee.



For safe operation, please adhere to the following guidelines detailed in the manuals: - Important Safeguards (pages 6-8) - Additional Important Safeguards (pages 9-10) - Information on the Grounded 3-Conductor Plug (page 11) - Notes on the Cord (page 11) - Plasticizer Warning (page 12) - Electric Power Instructions (page 12) - Carafe Safety Precautions By integrating these instructions into your routine, you can ensure the longevity of your Beautiful coffee maker and enhance your coffee-making experience.

Remember to refer to the 'beautiful coffee maker manual' for a comprehensive understanding and to maintain the quality and safety of your appliance. Discover the essentials of operating your **Beautiful 14-Cup Programmable Coffee Maker** with this comprehensive manual. This guide will walk you through each step, from the initial setup to brewing your perfect cup of coffee. **Section 2: Operating Instructions** - **Coffee Production**: Learn how to maximize your coffee yield. - **Permanent Filter Basket**: Understand the benefits of using the permanent filter. - **Familiarization**: Get acquainted with the features and functions of your coffee maker. - **Touch-Activated Controls**: Navigate the touch-activated display for effortless operation. - **Initial Use**: Prepare your coffee maker for its first brew with ease. - **Brewing Process**: Follow simple steps for brewing coffee immediately or at a later time. - **Time Setting**: Set the current time with our user-friendly interface. - **Brew Later Feature**: Schedule your coffee brewing for future convenience. - **Pause & Serve Function**: Enjoy a cup of coffee even before the brewing cycle completes. - **Coffee Making Tips**: Enhance the flavor of your coffee with our helpful hints. - **Maintenance**: Keep your coffee maker in top condition with regular maintenance. - **Cleaning**: Learn the best practices for cleaning and maintaining your appliance. - **Storage**: Properly store your coffee maker when not in use. - **Warranty**: Review the warranty terms for your peace of mind. For a detailed understanding of safety measures, refer to the safety section which covers important precautions, electrical power guidelines, and carafe safety measures. Incorporating the keyword 'beautiful coffee maker manual', this text is optimized for search engines, ensuring that users can easily find guidance on enjoying their Beautiful 14-Cup Programmable Coffee Maker. Whether you're setting up for the first time or looking for maintenance tips, this manual is your go-to resource for all things related to your beautiful coffee maker. For an ideal coffee experience, the Beautiful 14c Programmable Coffee Maker offers user-friendly tips and maintenance instructions. To ensure the longevity and optimal performance of your coffee maker, follow these guidelines: **Essential Safety Tips** - Always read the manual thoroughly before use. - Avoid contact with hot surfaces; use the provided handles or knobs. - The coffee maker should not be used by individuals with reduced physical, sensory, or mental capabilities without proper supervision. - Keep the appliance out of children's reach and under close supervision if used near them. - To prevent damage, do not position the coffee maker under cabinets and ensure there's clear space above it. - Never open the lid during the brewing process to avoid potential scalding. - The coffee maker is designed for indoor use only. - **Cleaning and Maintenance**: - Disconnect the coffee maker from the power source when not in use and before cleaning. Wait for the unit to cool before attaching or removing parts. - Do not submerge the cord, plug, or the coffee maker itself in water to prevent electrical hazards. - If the appliance has a damaged cord, plug, or is malfunctioning, contact Consumer Service for assistance. Do not attempt to repair the coffee maker yourself as it could void the warranty. - Using unapproved accessory attachments could pose a risk of fire or electric shock. Incorporating the keyword 'beautiful coffee maker manual', this manual provides clear instructions to maintain your coffee maker's beauty and functionality. Ensure to adhere to these guidelines for a safe and enjoyable coffee-making experience. For the safe and efficient use of your beautiful coffee maker, please adhere to the following guidelines detailed in the manual: 1. Ensure that all individuals using the coffee maker are familiar with the operational and cleaning instructions. 2. Connect the coffee maker's cord to a three-prong, 120V AC electrical outlet exclusively. 3. Fill the coffee maker's water reservoir with water only. Avoid introducing any other substances or liquids. 4. Avoid moving the appliance by pulling on the cord, and ensure the cord does not dangle off the edge of counters or come into contact with heated surfaces.



Whether it's a lively family baking day or an elegant dinner gathering, these appliances are crafted to make every occasion effortless, enjoyable, and aesthetically pleasing. For safe operation, please adhere to the following guidelines detailed in the manuals: - Important Safeguards (pages 6-8) - Additional Important Safeguards (pages 9-10) - Information on the Grounded 3-Conductor Plug (page 11) - Notes on the Cord (page 11) - Plasticizer Warning (page 12) - Electric Power Instructions (page 12) - Carafe Safety Precautions By integrating these instructions into your routine, you can ensure the longevity of your Beautiful coffee maker and enhance your coffee-making experience.

Remember to refer to the 'beautiful coffee maker manual' for a comprehensive understanding and to maintain the quality and safety of your appliance. Discover the essentials of operating your **Beautiful 14-Cup Programmable Coffee Maker** with this comprehensive manual. This guide will walk you through each step, from the initial setup to brewing your perfect cup of coffee. **Section 2: Operating Instructions** - **Coffee Production**: Learn how to maximize your coffee yield. - **Permanent Filter Basket**: Understand the benefits of using the permanent filter. - **Familiarization**: Get acquainted with the features and functions of your coffee maker. - **Touch-Activated Controls**: Navigate the touch-activated display for effortless operation. - **Initial Use**: Prepare your coffee maker for its first brew with ease. - **Brewing Process**: Follow simple steps for brewing coffee immediately or at a later time. - **Time Setting**: Set the current time with our user-friendly interface. - **Brew Later Feature**: Schedule your coffee brewing for future convenience. - **Pause & Serve Function**: Enjoy a cup of coffee even before the brewing cycle completes. - **Coffee Making Tips**: Enhance the flavor of your coffee with our helpful hints. - **Maintenance**: Keep your coffee maker in top condition with regular maintenance. - **Cleaning**: Learn the best practices for cleaning and maintaining your appliance. - **Storage**: Properly store your coffee maker when not in use. - **Warranty**: Review the warranty terms for your peace of mind. For a detailed understanding of safety measures, refer to the safety section which covers important precautions, electrical power guidelines, and carafe safety measures. Incorporating the keyword 'beautiful coffee maker manual', this text is optimized for search engines, ensuring that users can easily find guidance on enjoying their Beautiful 14-Cup Programmable Coffee Maker. Whether you're setting up for the first time or looking for maintenance tips, this manual is your go-to resource for all things related to your beautiful coffee maker. For an ideal coffee experience, the Beautiful 14c Programmable Coffee Maker offers user-friendly tips and maintenance instructions. To ensure the longevity and optimal performance of your coffee maker, follow these guidelines: **Essential Safety Tips** - Always read the manual thoroughly before use. - Avoid contact with hot surfaces; use the provided handles or knobs. - The coffee maker should not be used by individuals with reduced physical, sensory, or mental capabilities without proper supervision. - Keep the appliance out of children's reach and under close supervision if used near them. - To prevent damage, do not position the coffee maker under cabinets and ensure there's clear space above it. - Never open the lid during the brewing process to avoid potential scalding. - The coffee maker is designed for indoor use only. - **Cleaning and Maintenance**: - Disconnect the coffee maker from the power source when not in use and before cleaning. Wait for the unit to cool before attaching or removing parts. - Do not submerge the cord, plug, or the coffee maker itself in water to prevent electrical hazards.



Whether it's a lively family baking day or an elegant dinner gathering, these appliances are crafted to make every occasion effortless, enjoyable, and aesthetically pleasing. For safe operation, please adhere to the following guidelines detailed in the manuals: - Important Safeguards (pages 6-8) - Additional Important Safeguards (pages 9-10) - Information on the Grounded 3-Conductor Plug (page 11) - Notes on the Cord (page 11) - Plasticizer Warning (page 12) - Electric Power Instructions (page 12) - Carafe Safety Precautions By integrating these instructions into your routine, you can ensure the longevity of your Beautiful coffee maker and enhance your coffee-making experience.

Remember to refer to the 'beautiful coffee maker manual' for a comprehensive understanding and to maintain the quality and safety of your appliance. Discover the essentials of operating your **Beautiful 14-Cup Programmable Coffee Maker** with this comprehensive manual. This guide will walk you through each step, from the initial setup to brewing your perfect cup of coffee. **Section 2: Operating Instructions** - **Coffee Production**: Learn how to maximize your coffee yield. - **Permanent Filter Basket**: Understand the benefits of using the permanent filter. - **Familiarization**: Get acquainted with the features and functions of your coffee maker. - **Touch-Activated Controls**: Navigate the touch-activated display for effortless operation. - **Initial Use**: Prepare your coffee maker for its first brew with ease. - **Brewing Process**: Follow simple steps for brewing coffee immediately or at a later time. - **Time Setting**: Set the current time with our user-friendly interface. - **Brew Later Feature**: Schedule your coffee brewing for future convenience. - **Pause & Serve Function**: Enjoy a cup of coffee even before the brewing cycle completes. - **Coffee Making Tips**: Enhance the flavor of your coffee with our helpful hints. - **Maintenance**: Keep your coffee maker in top condition with regular maintenance. - **Cleaning**: Learn the best practices for cleaning and maintaining your appliance. - **Storage**: Properly store your coffee maker when not in use. - **Warranty**: Review the warranty terms for your peace of mind. For a detailed understanding of safety measures, refer to the safety section which covers important precautions, electrical power guidelines, and carafe safety measures. Incorporating the keyword 'beautiful coffee maker manual', this text is optimized for search engines, ensuring that users can easily find guidance on enjoying their Beautiful 14-Cup Programmable Coffee Maker. Whether you're setting up for the first time or looking for maintenance tips, this manual is your go-to resource for all things related to your beautiful coffee maker. For an ideal coffee experience, the Beautiful 14c Programmable Coffee Maker offers user-friendly tips and maintenance instructions. To ensure the longevity and optimal performance of your coffee maker, follow these guidelines: **Essential Safety Tips** - Always read the manual thoroughly before use. - Avoid contact with hot surfaces; use the provided handles or knobs. - The coffee maker should not be used by individuals with reduced physical, sensory, or mental capabilities without proper supervision. - Keep the appliance out of children's reach and under close supervision if used near them. - To prevent damage, do not position the coffee maker under cabinets and ensure there's clear space above it. - Never open the lid during the brewing process to avoid potential scalding. - The coffee maker is designed for indoor use only. - **Cleaning and Maintenance**: - Disconnect the coffee maker from the power source when not in use and before cleaning. Wait for the unit to cool before attaching or removing parts. - Do not submerge the cord, plug, or the coffee maker itself in water to prevent electrical hazards. - If the appliance has a damaged cord, plug, or is malfunctioning, contact Consumer Service for assistance. Do not attempt to repair the coffee maker yourself as it could void the warranty. - Using unapproved accessory attachments could pose a risk of fire or electric shock. Incorporating the keyword 'beautiful coffee maker manual', this manual provides clear instructions to maintain your coffee maker's beauty and functionality. Ensure to adhere to these guidelines for a safe and enjoyable coffee-making experience. For the safe and efficient use of your beautiful coffee maker, please adhere to the following guidelines detailed in the manual: 1. Ensure that all individuals using the coffee maker are familiar with the operational and cleaning instructions. 2. Connect the coffee maker's cord to a three-prong, 120V AC electrical outlet exclusively. 3. Fill the coffee maker's water reservoir with water only. Avoid introducing any other substances or liquids. 4. Avoid moving the appliance by pulling on the cord, and ensure the cord does not dangle off the edge of counters or come into contact with heated surfaces. 5. Place the coffee maker on a stable, flat surface. 6. Do not use the glass carafe if it is damaged or has a loose handle. The carafe should be handled carefully as it may become hot. 7. Secure the lid on the carafe before pouring coffee. 8. Operate the coffee maker with water in the reservoir to prevent damage. 9. Keep the appliance away from hot surfaces, such as gas or electric burners, and out of ovens. 10. The carafe is intended for use only with this coffee maker and should not be used on stove tops. 11. Avoid placing the hot carafe on cold or damp surfaces. 12. Clean the carafe without using abrasive materials. 13. You can pause the brewing process at any time. Do not unplug the coffee maker unless it is malfunctioning. 14. Disconnect the coffee maker when not in use, unattended, or if the carafe is empty. 15. Use the coffee maker solely for its intended purpose. 16. Removing the lid during brewing may result in scalding. 17. To minimize fire hazards, do not position the unit near or on cooking appliances. 18. Avoid mounting the coffee maker above a sink to reduce the risk of electric shock. 19. Do not store items on top of the coffee maker while it is operating to prevent fire risks. Remember, this coffee maker generates heat and steam, so take appropriate precautions to avoid burns, fires, or other injuries. Always consult the 'beautiful coffee maker manual' for comprehensive instructions and safety information. For optimal performance and safety, adhere to the following guidelines for your Beautiful 14-cup Programmable Coffee Maker: Only clean the appliance as specified in the manual's descaling instructions. Avoid relocating the Coffee Maker when it contains hot liquids; let it cool down first. During use, maintain a distance of at least 4 inches from walls and refrain from placing items atop the Coffee Maker. Ensure it's placed on a heat-resistant surface. In case of malfunction, cease operation immediately, disconnect the power cord, and contact Consumer Service for assistance. If the Coffee Maker is dropped or submerged in liquid, unplug it right away and do not use it again. Before refilling the water reservoir, allow the Coffee Maker to cool for 15 minutes. Use only fresh, cool water for filling. Introducing warm water or other liquids can damage the appliance. Never microwave the carafe or leave it empty on the warming plate when the Coffee Maker is on to prevent damage. The Coffee Maker features a Pause & Serve function, allowing you to pour a cup mid-brew. The flow valve, found at the bottom of the filter basket, activates when the carafe is removed. To avoid injury, promptly replace the carafe within 30 seconds during brewing. This appliance comes with a grounded 3-conductor plug for safety, compatible only with a 3-prong outlet. If the plug does not fit, have a qualified electrician replace the outdated outlet. Do not attempt to bypass this safety feature. By incorporating these instructions into your routine, you ensure the longevity and safe operation of your beautiful coffee maker, making every manual reference a step towards a perfect cup of coffee. To ensure safety and convenience, our 'beautiful coffee maker manual' advises using the short power cord supplied or a carefully selected extension cord to prevent accidents. When opting for an extension, it should match the appliance's electrical rating, be a 3-wire grounding cord if the coffee maker is grounded, and be placed away from areas where it could be a trip hazard. **Cord Safety Tips** - Utilize the short power cord provided to minimize entanglement or tripping hazards. - If necessary, a longer, detachable power cord may be used with caution. - Ensure the electrical rating of any extension matches or exceeds that of the coffee maker. - For grounded appliances, use a 3-wire grounding cord. - Arrange the cord to avoid creating a trip hazard, especially around children. **Surface Protection** - To prevent damage to surfaces from plasticizers, use non-plastic coasters or placemats under the coffee maker. **Electrical Guidelines** - Operate the coffee maker on a dedicated circuit to avoid overloading. **Carafe Handling Instructions** - Do not use the carafe if it's cracked or has a loose handle. - The carafe is intended only for use with this coffee maker's warming plate, not in an oven. - Handle the carafe gently to prevent breakage and avoid placing it on cold or wet surfaces. - Clean the carafe without abrasive materials to prevent scratches. **Additional Precautions** - Avoid rough handling, such as bumping or scratching the carafe. - Discard the carafe if damaged or if it has been heated while empty. - The carafe features a special seal; treat it with care. By following these guidelines, you can enjoy a safe and pleasant experience with your beautiful 14-cup programmable coffee maker. Remember to consult the manual for detailed instructions and safety information. For those seeking a detailed guide on operating the Beautiful 14-cup Programmable Coffee Maker, this manual provides clear instructions. The coffee maker's lid must be properly aligned with the spout to ensure safe pouring. This model can brew up to 14 cups of coffee, with each cup measuring 5 ounces, the standard in the American coffee industry. To fill a larger mug, simply add 15 to 20 ounces of water to the reservoir.

Keep in mind that the final amount of coffee will be slightly less than the water added, as the grounds and filter absorb some liquid. For safety, never attempt to open the bottom cover of the coffee maker to avoid any risk of fire or electric shock. Only qualified service personnel should perform repairs. The coffee maker features an eco-friendly, permanent filter basket, removing the need for disposable paper filters. The flat-bottom design ensures it rests securely on any flat surface for easy filling. After brewing, the coffee maker's lid can be lifted, and the filter basket handle unfolded to remove and discard the grounds. Then, simply rinse, replace, and fold the handle down before closing the lid. The product design may differ slightly from the illustrations provided. Key components include a touch-activated display control panel, a carafe with a lid and handle, a coffee scoop, and a permanent gold-tone filter basket with a handle for easy disposal of coffee grounds. Additionally, the coffee maker is equipped with a removable filter basket holder, a charcoal filter, a warming plate, a shower head, a water reservoir, and a pause-and-serve flow valve. The electrical components consist of a 3-prong 120V AC plug and cord storage, though these are not depicted in the illustrations.

The display panel is designed to be visible only when needed, featuring a 24-hour LED digital clock with an AM/PM indicator, sound off option, clean function, brew/off switch, and programmable settings. By incorporating the keyword 'beautiful coffee maker manual,' this revised text aims to provide a user-friendly guide while optimizing for search engines. The language has been simplified for better understanding and to assist users in safely operating their Beautiful 14-cup Programmable Coffee Maker. To ensure your **Beautiful 14-Cup Programmable Coffee Maker** operates efficiently, begin by removing all packaging and labels. Position it on a stable, clean surface. Prior to making coffee, it's essential to wash the glass carafe, lid, both filter baskets, and the coffee scoop in warm, soapy water. After rinsing and drying, reassemble the parts. For convenience, these components, except for the coffee scoop, are safe for cleaning in the top rack of your dishwasher. For the initial cleaning of the coffee maker's interior, run two cycles with tap water without inserting the permanent filter or coffee grounds. Next, secure the charcoal filter at the base of the water reservoir. When you're ready to brew, open the lid to check the water level indicator and confirm the charcoal filter's placement.

Fill the carafe with cold tap or distilled water and pour it into the reservoir, ensuring the water level is above the 2-cup mark but does not surpass the 14-cup limit. Place the empty carafe on the warming plate and insert the removable filter basket into its housing. On a flat surface, fill the permanent filter basket with one scoop of coffee per cup, adjusting the quantity to taste, then place it into the removable basket holder and fold down the handle. After closing the lid, connect the coffee maker to a 120V AC outlet. You'll hear a tone, and the default time will flash, indicating the machine is ready for use.

To manage the alert sounds, use the SELECT button to navigate and the +/- buttons to toggle the beep on or off. By following these steps, you'll be on your way to enjoying a perfect cup of coffee from your beautiful coffee maker. Remember to refer to the manual for detailed brewing instructions and maintenance tips to keep your machine in top condition.

When you hear a single beep, it's time to change the charcoal filter in your Beautiful 14c Programmable Coffee Maker. The illuminated FILTER icon signals this need. To reset the filter notification, press the SELECT button until the FILTER icon blinks, then use the - or + button to clear it from the display. For immediate coffee brewing, simply press the BREW/OFF button; the Regular brew setting will light up. Once the brewing process is complete, you'll hear three beeps, and the machine will switch to the KEEP WARM function, displaying 0:00 and counting up to four hours. Remember, you can press BREW/OFF at any point to turn off the machine. To ensure safety, always align the lid with the spout before pouring. Upon plugging in, the Coffee Maker emits a tone, and the default time of 12:00 AM flashes, with the control panel lighting up briefly. Adjust the hour and minutes with the - and + buttons, respectively, and be mindful of the AM/PM settings. If inactive, the Coffee Maker will enter sleep mode after 20 seconds. To set the clock, press SELECT until CLOCK lights up, then adjust with the + or - buttons. To customize your brew strength, press SELECT until STRENGTH is highlighted.

Increase the strength from Regular to Gourmet to Bold with the + button, or decrease it with the - button. The last selected strength setting will be saved for your next brew. You can also program the Coffee Maker to start brewing up to 24 hours in advance. Ensure that the machine is correctly set up before doing so. Fill the water reservoir and place the coffee grounds in the filter to prepare for brewing. Incorporating the keyword 'beautiful coffee maker manual,' this guide simplifies the operation of your Beautiful 14c Programmable Coffee Maker, ensuring a seamless and enjoyable coffee-making experience. To use your beautiful coffee maker, begin by filling the reservoir with water and placing freshly ground coffee into the filter basket. Secure the lid, then position the carafe on the warming plate. To program your brewing time, press and hold the PROGRAM button for a moment until the display starts to blink. Adjust the hour and minutes using the respective buttons, ensuring you set the correct AM or PM. The PROGRAM button will light up to confirm your settings. Your coffee will automatically start brewing at the pre-set time. Once brewing is complete, you'll hear three beeps, and the machine will maintain the coffee's temperature. If you wish to have your coffee ready at the same time the following day, press the PROGRAM button again. The 'Pause & Serve' feature lets you pour a cup even if brewing isn't finished. Just remember to replace the carafe quickly to avoid any overflow. Maintaining your coffee maker is straightforward. Regular cleaning, as outlined in the manual, will ensure the best tasting coffee. Always start with cold, fresh water and use fine grinds like drip or ADC for a rich flavor. Select your desired strength setting—Regular, Gourmet, or Bold—for the perfect taste. Freshly grinding whole beans right before brewing enhances the flavor further. Avoid reusing coffee grounds to prevent a decline in taste.

Also, reheating coffee is not advisable as it tastes best freshly brewed. If you notice oil droplets on your coffee, this is normal, especially with dark roasts or if the machine needs cleaning.

For any maintenance beyond cleaning, consult a professional technician, as the coffee maker does not have parts serviceable by the user. Incorporating the keyword 'beautiful coffee maker manual,' this guide aims to assist users in operating their device efficiently, ensuring a delightful coffee experience every time. Remember, the key to a perfect cup lies in the details—from the water quality to the grind of the beans. Enjoy your brewing journey! For maintaining your coffee maker, ensure it is disconnected and the warming plate is not hot before cleaning. Post-use, eject the permanent filter basket, dispose of the grounds, and rinse. Clean the detachable filter basket and glass carafe with warm soapy water. Detach the carafe lid for a thorough scrub. The carafe, its lid, the filter basket holder, and the permanent filter basket are safe for the dishwasher's top rack. Place the coffee scoop with utensils in the dishwasher. Handle the carafe gently to prevent breakage and be cautious when filling with water. For external cleaning, use a damp cloth for surface marks and a soft pad for persistent stains, avoiding harsh materials. After drying, reassemble and ensure the filter basket is correctly positioned. Regularly run the CLEAN cycle every 300 uses for optimal performance, removing the charcoal filter beforehand. The cleaning process lasts between 45 to 60 minutes. For detailed guidance, download the user manual for the Beautiful 14-Cup Programmable Coffee Maker by Drew Barrymore, featuring a touch-activated display. This manual is available in English and Spanish, spanning 62 pages. The coffee maker comes in various colors like Oyster Grey, White Icing, Sage Green, Black Sesame, Cornflower Blue, and Lavender.

Enjoy brewing 14 cups in less than 14 minutes with this elegant appliance. The manual provides all the necessary instructions for the Beautiful coffee maker, ensuring you can enjoy your coffee experience to the fullest. Remember to include 'beautiful coffee maker manual' in your search for easy access to this helpful resource. The Beautiful Coffee Maker Manual offers a user-friendly experience with its intuitive touch activation and distinguished gold detailing.

Designed to complement your kitchen decor and simplify your routine, this appliance is both functional and aesthetically pleasing.

The brainchild of Drew Barrymore, Beautiful Kitchenware merges sophisticated style with vibrant colors and sleek shapes, ensuring that these appliances not only perform exceptionally but also enhance the look of your countertop. Key features include: - An elegant, touch-sensitive display that activates on demand, eliminating the need for traditional controls.

- Durable steel accents with a premium soft matte finish. - A robust 1200-watt system that delivers exceptionally hot coffee without losing taste. - Programmability that allows you to set your coffee to be ready up to 24 hours in advance. - A choice of brewing strengths: Regular, Gourmet, or Bold. - A dishwasher-safe, borosilicate glass carafe designed for longevity with a precision no-drip spout. - The ability to brew smaller quantities with the richness of a full 10-cup batch using the 1-4 cup setting. - Maintains the ideal coffee temperature between 181-186°F ((82-86 °\circ C)) for optimal flavor retention. - A replaceable charcoal water filter for peak freshness. - A dedicated cleaning cycle that maintains the product's performance and taste quality.

- An adjustable auto-shutoff function for enhanced safety, ranging from 30 minutes to 4 hours. - A Keep Warm mode that ensures your coffee stays heated for up to 4 hours post-brewing. - A pause-and-serve feature that allows you to pour a cup mid-brew during busy moments. - An easy-to-clean, non-stick warming plate that resists stains. - Comes with a reusable gold filter basket, a charcoal water filter, and a measuring scoop.

- A water-resistant touchscreen that responds to the lightest touch. - The coffee maker is designed for use in the United States and Canada, adhering to the electrical standards of the United States. For safe operation, users must familiarize themselves with the instruction manual before using or cleaning the appliance. The manual includes: - SECTION 1: SAFETY, outlining crucial precautions and additional safety measures. - SECTION 2: INSTRUCTIONS, detailing the coffee-making process for up to 14 (5-oz.) cups.

By incorporating the keyword 'beautiful coffee maker manual' and focusing on clarity and SEO, this paraphrased text aims to provide a comprehensive guide for users seeking a seamless coffee-making experience. Save these instructions for future reference. Instruction Manual available in English and Spanish (PDF). The American industry standard, adopted by numerous Coffee Maker brands, suggests filling the reservoir with 15 to 20 ounces of water to accommodate larger mugs. Note that the final coffee output will be slightly less due to absorption by the grounds and filter. **Permanent Filter Basket**: This eco-friendly option negates the need for disposable paper filters. For cleaning instructions, refer to the manual. **Understanding Your 14-Cup Programmable Coffee Maker**: Familiarize yourself with the parts and their functions. **Control Panel**: The touch-activated panel simplifies operation with clearly labeled buttons. **BREW/OFF Button**: Initiates the brewing process or powers down the appliance. **PROGRAM Button**: Sets a future brewing time. **Time Adjustment**: The '+' and '-' buttons modify the time settings for hours and minutes. **SELECT Button**: Customizes settings for brew strength, cup quantity, clock, cleaning cycle, and keep-warm function. **Brew Strength Options**: Choose from Regular, Gourmet, or Bold. **1-4 Cups Feature**: This setting enhances flavor when brewing smaller quantities and must be activated just before brewing. **Keep Warm Function**: Default setting maintains warmth for 4 hours, adjustable as needed. **Cleaning Cycle**: The 'CLEAN' indicator signals when descaling is required, which is typically after 300 brew cycles. **Initial Use**: Important steps to follow before the first use. **Operation**: Guidelines on using the Drew Barrymore Beautiful 14-Cup Programmable Coffee Maker, including water level checks, charcoal filter installation, adding coffee to the filter basket, and ensuring proper insertion of the basket. The illuminated 'FILTER' icon indicates when the charcoal filter requires replacement. For a detailed guide on operating this beautiful coffee maker, consult the manual provided with your appliance. It offers step-by-step instructions to ensure optimal functionality and maintenance of your coffee maker. To remove the FILTER indicator from the control panel of your Beautiful 14-Cup Programmable Coffee Maker, simply press SELECT until it flashes, then use the - or + button. For immediate coffee brewing, press the BREW/OFF button; the machine will remember your last brew STRENGTH setting for future use. **Setting the Clock**: To set or reset the current time, ensure you correctly choose AM or PM. **Programming Brew Later**: You can schedule your Coffee Maker to start brewing up to a full day ahead. To repeat the brew time on subsequent days, use the Brew Later function. **Pause & Serve Feature**: The Pause & Serve feature lets you pour a cup mid-brew. Replace the carafe to continue brewing. **Tips for Delicious Coffee**: - Maintain a clean Coffee Maker for the best taste. - Use only fresh, cold water. - Choose finer grinds like drip or ADC for a richer flavor. - Grind whole beans right before brewing for the freshest taste. - Avoid reusing coffee grounds to prevent flavor loss. - Freshly brewed coffee offers the best taste; reheating is not advised. - Oil droplets on black coffee indicate oil extraction from the grounds, which is more common with dark roasts or if overextraction occurs, suggesting the need for cleaning. **Maintenance and Cleaning**: Regular cleaning ensures great-tasting coffee. The cleaning cycle's duration and frequency are important to note. Vinegar is suitable for cleaning, and you can brew coffee immediately after the cleaning process. **Storage and Warranty**: Follow the provided storing instructions. For warranty service or customer support, contact details are provided within the manual. Although there is no specific troubleshooting section, the manual offers solutions throughout its content for various potential issues. Incorporating the keyword 'beautiful coffee maker manual,' this revised text provides clear instructions and helpful tips for users seeking guidance on operating and maintaining their Beautiful 14-Cup Programmable Coffee Maker. It's structured to be SEO-friendly, enhancing its visibility for those searching for a user-friendly manual. The user guide for the Beautiful 14-Cup Programmable Coffee Maker offers essential details on operation, maintenance, and upkeep. Refer to the table of contents for specific sections. To obtain the manual, simply select the download option provided. Your feedback is valuable, and we appreciate your support. If you find this manual beneficial, please consider sharing your experience. This manual is designed to ensure that you enjoy the full benefits of your beautiful coffee maker, enhancing your daily coffee ritual with ease and elegance. Whether you're a seasoned coffee enthusiast or new to the world of home-brewed coffee, this manual will guide you through every step of the process. From the initial setup to the final sip, discover how to craft the perfect cup every time with your Beautiful coffee maker.