

LIAT Price List

Lounge

Effective 11/1/2023



LIAT 
LOUNGE

Terms and Conditions

LIAT Terms & Conditions	6
-------------------------------	---

Ordering Information

General Ordering Information Checklist	7
Laminate/PVC Edge Options.....	8
Metal Options	10
PET Felt Options	11
Fabric & Textile Grades	12
Freight Zones	21
Modification Charges.....	22
Lounge Overview.....	23

Belmont

Order Information	27
Specifications	28
Ottoman, Curved	29
Ottoman, Hexagon	30
Ottoman, Pie.....	31
Ottoman, Rectangle.....	32
Ottoman, Round	33
Ottoman, Square	34
Ottoman, Trapezoid	35
Ottoman, Triangle	36
Occasional Table, Rectangle	37
Occasional Table, Round.....	38
Occasional Table, Square.....	39
Shared Table, Rectangle	40
Shared Table, Round.....	41
Shared Table, Square.....	42
Typicals.....	43

Canton

Order Information	46
Specifications	47
Upholstered Back	48
Bench Ottoman.....	49
Round Ottoman	50
Square Ottoman	51

Haywood

Order Information	53
Specifications	54
Upholstered Back	55
Oval Ottoman	57
Round Ottoman	58
Square Ottoman	59
Linking Occasional Table.....	60
Oval Occasional Table.....	61
Round Occasional Table.....	62
Square Occasional Table.....	63
Typicals.....	64

Korak

Order Information	70
Specifications	71
Straight	72
Inner Corner	73
Outer Corner.....	76
Typicals.....	77

Lenoir

Order Information	81
Specifications	82
Straight Lounge	83
Curved Lounge.....	85
Rectangle Occasional Table	87
Round Occasional Table.....	88
Square Occasional Table.....	89
Typicals.....	90

Sentro

Order Information	96
Specifications	97
Lounge.....	98
Ottoman.....	99

Shelby

Order Information	101
-------------------------	-----

Specifications	102
Lounge.....	105
Carrel.....	107
Return.....	108
Typicals.....	109

Tahoe

Order Information	112
Specifications	113
Lounge, Single Face Straight - Upholstered Back.....	114
Lounge, Double Face Straight - Upholstered Back	115
Lounge, Curved - Upholstered Back	116
Lounge, Straight - No Back	117
Lounge, Curved - No Back	118
Lounge, Other - No Back.....	119
Occasional Table	120
Top Cushion.....	121
Fabric Panel	122
Typicals.....	123

Vance

Order Information	126
Specifications	127
Lounge.....	128
Occasional Tables	129

Lounge Accessories

Built-In Power & Data	130
-----------------------------	-----

LIAT Terms & Conditions

The following terms & conditions apply to all LIAT, LLC products.

- 1. ACCEPTANCE, MODIFICATION, ASSIGNMENT:** By placing this order for furniture, material or other products (sometimes collectively referred to as "Goods"), Customer agrees to these Terms and Conditions which shall prevail over inconsistent provisions in any other form or document of Customer. No change or modification shall be applicable unless set forth in writing and signed by Company. Neither this order nor any interest therein shall be assigned by Customer except with the prior written consent of Company.

- 2. PRICING:** LIAT, LLC assumes no responsibility for the quantities or the interpretation of competitive product. Pricing is based on standard LIAT furniture including standard construction, materials, finishes and sizes. Unit prices shall prevail. Pricing subject to change without notice. Prices are those in effect at the time of order entry.

- 3. PAYMENT:** Customer agrees to pay deposit or down payment as required by Company. Customer agrees to pay to Company the amount indicated on the Invoice, 1% 15 days, net 30 days from date of Invoice (U.S. Funds only), for Goods ordered. **INTEREST WILL BE CHARGED AFTER 30 DAYS FROM THE DATE OF INVOICE AT THE RATE OF ONE AND A HALF PERCENT (1.5%) PER MONTH.** International sales will require additional payment arrangements. No Goods shall be sold on consignment or conditional sales basis. Payment for the Goods delivered hereunder shall constitute acceptance thereof.

- 4. DELIVERY:** The specific terms of delivery are as stated on the sales order acknowledgment. Goods which are delivered in advance of schedule are delivered at the risk of Customer. The Company is not liable for delays or failure to ship due to fire, strike, act of God, the public enemy or other causes beyond the control of the Company. With respect to LIAT, LLC, all shipments which are F.O.B. Factory or Delivered, LIAT, LLC reserves the right to select the appropriate carrier. Special requests including, but not limited to, inside delivery, installation, and call before delivery are not included in the price. Any charges arising from failure to meet shipment, rerouting while in transit, or carrier storage charges are the responsibility of the Customer. LIAT reserves the right to add a freight surcharge dependent on current market conditions.

- *LIAT product is shipped knocked down. Assembly in the field is required.

- 5. CARE AND MAINTENANCE:** To maintain your LIAT product for years of use, please follow these care and maintenance guidelines:
 - Wood Care and Maintenance:* Use a damp, lint free cotton cloth for general dusting. Work with the grain of the wood.
 - Laminate Tops:* Laminates may be cleaned using a damp cloth and mild soap.
 - Marmoleum Tops:* Marmoleum can be maintained by dry or wet maintenance systems. For detailed product specifications or maintenance information, contact Forbo Industries Support Services at 1-800-842-7839 or visit their website www.forbo-industries.com.
 - Metal Finishes:* Mix a solution of liquid soap and warm water. Saturate a clean cloth with this mixture. Wipe down metal then dry completely.
 - Acrylic Products:* Use only products specifically recommended for cleaning acrylic, or a mild solution of dish detergent and warm water. Do **NOT** use any cleaner containing ammonia to clean your acrylic products. Do **NOT** use a dry cloth or your hand to clean the acrylic - this will rub the dirt and dust into the acrylic and can scratch the surface.
 - Fabric Care:* The ability to be cleaned will vary based on the type of fabric. For best results, a professional service is recommended. Dirt and crumbs may be gently brushed or vacuumed off. Spill should be wiped up immediately with a cloth. If upholstery has been protected with Scotchgard or Zepel, the coating should be re-applied yearly. Vinyl textiles can be cleaned with warm soapy water and then wiped down with a warm damp cloth.

6. CLAIMS. All shipments are delivered to the carrier in good condition and Company's liability ceases after acceptance by carrier. If shipment arrives short or damaged, the Customer must file a claim immediately with the carrier. In the event of concealed damage, notify carrier and request an immediate inspection. Keep all cartons and packing material. Failure to file claim within 15 days after receipt of Goods constitutes acceptance and a waiver of any such claims

7. DISCLAIMER OF WARRANTIES: The express warranties below are the Company's sole warranties of its Goods, there are no understandings, agreements, representations, or warranties, express or implied (including any regarding the merchantability or fitness for a particular purpose), not specified herein, respecting the Goods. Except for those obligations of the Company identified in these Terms and Conditions, all risks related to the quality and performance of the Goods and responsibility for repair or service costs rests solely on the Customer. Company reserves the right to limit the applicable warranty to the Goods depending upon the division or catalogue through which said Goods were sold. Some states do not allow limitations on implied warranties, limitations on how long an implied warranty lasts, or the exclusion or limitation of incidental or consequential damages, so the above limitations may not apply to all Customers. This warranty gives the Customer specific legal rights, and each Customer may also have other rights which vary from state to state.

8. EXPRESS WARRANTIES: *The express warranties of the Company are as follows:*

LIAT, LLC

LIAT, LLC WARRANTS TO THE ORIGINAL PURCHASER THAT EACH CASEGOOD WILL BE FREE FROM DEFECTS IN WORKMANSHIP GIVEN NORMAL USE FOR A PERIOD OF TWENTY (20) YEARS OF SINGLE SHIFT SERVICE. LIAT WARRANTS THEIR SEATING PRODUCTS TO THE ORIGINAL PURCHASER THAT EACH PIECE OF FURNITURE WILL BE FREE FROM DEFECTS GIVEN NORMAL USE FOR FIVE (5) YEARS. LIAT, LLC WILL, AT ITS OPTION, REPAIR OR REPLACE ANY DEFECTIVE FURNITURE WITHIN THE TERMS OF THE WARRANTY. THIS WARRANTY DOES NOT APPLY TO DAMAGE RESULTING FROM ACCIDENT, ALTERATION, OR MISUSE. ALL LIAT ELECTRICAL COMPONENTS AND ACCESSORIES ARE WARRANTED TO THE EXTENT OF THE ORIGINAL MANUFACTURER.

Goods other than furniture are sold by Company to Customer without warranty.

9. ATTORNEYS' FEES: Customer shall be responsible for all expenses and costs in connection with the enforcement by Company of these Terms and Conditions and the costs of collection (including the fees of any collection agencies to whom the Customer's account may be referred), plus reasonable attorneys' fees (which attorneys' fees shall not be less than 25% of the amount due, unless a lower amount is specified by applicable law).

10. CANCELLATION: All cancellations must be made in writing. Administrative and/or labor charges may be incurred by the Customer depending upon the production stage of the order. Orders specifying special finish cannot be cancelled once finishing has begun. Cancellations cannot be accepted once final production has begun.

11. ORDER CHANGES: All changes to an order must be made in writing and are subject to Company's ability to conform. Administrative and/or labor charges may be incurred by the Customer depending upon the production stage of the order. Once final production has begun, no changes can be accepted.

12. REMEDIES: The remedies herein reserved shall be cumulative, and additional to any other or further remedies provided in law or equity. No waiver of a breach of any provision of these Terms and Conditions shall constitute waiver

of any other breach or of such provision.

13. INSOLVENCY: Company may forthwith cancel this order in the event of the happening of any of the following or any other comparable event: insolvency of the Customer, the filing of a voluntary petition in bankruptcy, the filing of any involuntary petition to have Customer declared bankrupt provided it is not vacated within thirty (30) days from the date of filing, the appointment of a receiver or trustee for Customer provided such appointment is not vacated within thirty (30) days from the date of such appointment, or the execution by Customer of an assignment for the benefit of creditors.

14. LIMITATION OF LIABILITY: The Company shall not under any circumstances be liable to the Customer, owner of the Goods or any third party for special, indirect, incidental, or consequential damages, including, without limitation, loss of profits or revenues, loss or damage to other property or equipment, cost of capital or of purchased or replacement goods, or expense, delay or inconvenience caused by or arising from the purchase, sale, use, repair or inability to use the Goods or by any performance or non-performance under, or breach of, these Terms and Conditions. The Company's sole liability for any defective Goods shall be its repair or its replacement pursuant to the Express Warranties set forth above, or if amended, as applicable at the time of manufacture or repair of the Goods. Some states do not allow the exclusion or limitation of incidental or consequential damages, so the above limitations or exclusion may not apply to all Customers. Any action resulting from any breach on the part of Company as to the Goods or services delivered hereunder must be commenced within one year after the cause of action has occurred.

15. RETURNS AND ALLOWANCES: Reasonable touch-up and deluxing is the dealer's responsibility. The Company will not make allowances for trip or delivery charges, but will only make allowance for actual work performed to correct manufacturing defects. Allowances may be authorized only by a Company officer. It is the responsibility of the field sales representatives to inspect any defective merchandise and make suggestions and recommendations as to the proper disposition. Field personnel cannot obligate or bind the Company by definite agreement, without final authorization by a Company officer. Company will not accept automatic charge backs which do not have prior authorization. All defects must be called to the Company's attention upon arrival at the Customer's "Ship To" destination. To initiate any type of claim or request for parts, it is imperative to have the model number or fabric number, which may be located on the tag attached to the frame of the unit. Authorization for return to the Company for any reason must be issued by the Company via a Return Goods Authorization. Any authorized returns not due to damage or defect will be assessed a 30% restocking charge and all return freight charges must be prepaid. Company will not issue credit allowances for any repairs without Company's prior consent. Under no circumstances shall the Company accept COD (Cash on Delivery) returns, and any such shipment will be refused.

16. SECURITY AGREEMENT: The Company may require and Customer shall grant a security interest in Goods sold pursuant to any credit the Company may extend to the Customer.

17. GOVERNING LAW: All disputes between the parties, whether or not arising out of these Terms and Conditions, will be governed by the laws of the State of North Carolina. Customer agrees to submit to the jurisdiction of and agrees all lawsuits relating to any disputes between the Customer and the Company will be brought only in a state court located in Iredell County, North Carolina or the United States District Court for the Southern District of North Carolina. THE CUSTOMER HEREBY WAIVES THE RIGHT TO A TRIAL BY JURY IN ANY ACTION, PROCEEDING, CLAIM, OR COUNTERCLAIM WHETHER IN CONTRACT OR TORT, AT LAW OR IN EQUITY, ARISING OUT OF OR RELATING IN ANY WAY TO THESE TERMS AND CONDITIONS AND ALL OTHER DISPUTES BETWEEN THE PARTIES.

18. MITIGATION: If the Company repossesses the Goods prior to payment by the Customer of all amounts due hereunder, the Company may sell the

Goods, AS IS, WHERE IS, free and clear of all rights of the Customer at either public or private sale, and apply the net proceeds (after deducting expenses of repossession and sale) to the obligation of Customer hereunder. The Customer shall remain liable for any deficiency. THE COMPANY MAY DISPOSE OF THE GOODS IN ANY COMMERCIALY REASONABLE PLACE AND MANNER AND THE CUSTOMER WAIVES ANY NOTICE OF TIME, PLACE AND MANNER OF SALE.

19. INTEGRATION: This order for Goods, including these Terms and Conditions, along with any Credit Application, Invoice, Statement, Dealer Contract, Acknowledgment, Bill of Lading (and any exhibits, addenda or amendments thereto) of which this order may be a part, constitutes the sole and complete agreement between the Company and the Customer with respect to the purchase of the Goods.

20. DIMENSIONS/SPECIFICATIONS/FINISHES: All dimensions are approximate and may vary due to the upholstery technique of each craftsman. If exact dimensions are required, it is necessary for *the Customer to state such specifications with the order.* Detailed specification sheets are available for each series of Goods, and Customer should consult the Company's Customer Service Department for these specification sheets. Company reserves the right to make changes in dimensions, style, or specifications if Company believes these changes will improve the Goods' quality or appearance. Company reserves the right to substitute hardwoods due to availability at production. Due to the natural characteristics of wood, environmental effects, and material upgrades, the Company cannot guarantee exact finish matches on existing Goods previously ordered from Company. If an exact match to Customer's existing Goods are required, it must be specified so that the proper procedures can be followed to ensure an acceptable finish. Company will accept no liability for the finish if this procedure is not followed. Company reserves the right to make changes in a finish formula if Company believes the change will improve the quality or appearance of Company's Goods.

21. ACKNOWLEDGEMENT: All orders will be acknowledged promptly, showing how the order was entered, the approximate shipping time and other pertinent information. It is the Customer's obligation to examine this acknowledgment carefully and notify Company immediately of any discrepancies. Every reasonable effort is made to ship as acknowledged, however, the acknowledged ship date is approximate. Company will generally ship within five (5) working days of the acknowledged ship date. If a firm ship date is necessary, Customer must inform Company at time of order and Company will make all reasonable efforts to meet each Customer's request. Acknowledged shipping dates are contingent upon the force majeure conditions contained in these Terms and Conditions.

22. COMPANY'S PERFORMANCE OF ITS OBLIGATIONS: The production and delivery of the Goods to the extent delayed or hindered or prevented from the performance by reason of natural disasters, acts of God, strikes, lockouts, labor troubles, inability to procure materials, casualties, failure of power, restrictive governmental laws or regulations, riots, insurrection, acts of terrorism, war or other reason of a like nature not the fault of the Company shall excuse for the period of the delay the Company's performance and the period for the performance shall be extended for a period equivalent to the period of such delay.

23. ANSI / BIFMA PERFORMANCE STANDARDS: All LIAT products meet and/or exceed applicable ANSI and BIFMA performance standards.

24. ENVIRONMENTAL HUMIDITY STATEMENT: Wood acclimates to its environment and will expand and contract with changes in the environment. It is the customers responsibility to ensure that the environment where any LIAT product is kept remains at a 45% - 55% humidity level. Any damage to the furniture resulting from improper humidity levels will void the warranty.

General Ordering Information Checklist

Use this checklist to be sure you have all of the necessary information to order your Retro unit.

Catalog Number

Use our build guides to create your catalog number.

Fabrics & Textiles

Please specify Fabric Vendor, Pattern Name, Pattern Color.

Laminate Selection

Standard Wilsonart or Formica. Please specify manufacturer, color, finish and model number.

PVC Edge Band

Please select from the PVC Edge Options Page.

Accessories

Laminate/PVC Edge Options



Portico Teak
Wilsonart 8210K-28



Natural Oak
Formica 346-58



Beigewood
Wilsonart 7850-60



Kensington Maple
Wilsonart 10776-60



Bleached Legno
Formica 8845-58



Huntington Maple
Wilsonart 7039-60



River Cherry
Wilsonart 7937-60



Nepal Teak
Wilsonart 7209-60



Natural Teak
Formica 8849-58



Shaker Cherry
Wilsonart 7935-60



Windsor Mahogany
Wilsonart 7039-60



Amber Cherry
Wilsonart 7919-60



Montana Walnut
Wilsonart 7110-60



Glamour Cherry
Formica 6208-58



Versailles Anigre
Wilsonart 7923-60



Empire Mahogany
Wilsonart 7122-60



Asian Night
Wilsonart 7949K-18



White Barn
Wilsonart 7977



Frosty White
Wilsonart 1573-60



Fashion Grey
Wilsonart D381-60



Satin Stainless
Wilsonart 4830K-18



Classic Linen
Wilsonart 4943-38



North Sea
Wilsonart D90-60



Slate Grey
Wilsonart D91-60



Carbon Ev
Wilsonart 4820-60



Pewter Mesh
Wilsonart 4878-38



Black
Wilsonart 1595-60

NOTE: All options shown have a Laminate/PVC edge match available. Any standard Wilsonart or Formica laminates may be used. Premium laminates may incur an upcharge.

Non-Standard PVC Edge \$965 List (one time fee)**

***Based on standard pricing & 300' roll availability*



Silver



Zinc



Moon



Nickel



Armor



Mineral



Cast



Ebony



Cashmere



Burnt Umber



Admiral



Oxford



Hunter



Citrine



Aries



Ruby

Woven Textiles	1/1/2024
PATTERN	GRADE
April	10
Baby Bear	6
Bacci	7
Baltic- O	8
Beach Blanket	7
Bonnie	5
Catwalk	CALL
Chimera	7
Cornered	7
Cuddle	6
Fionna	5
First Class	3
Focus	8
Free Time	9
Fulton	3
Grit	7
Haywire	8
Horizon	7
Impulse	CALL
Inner Circle	CALL
Interwine	6
Kapow	4
Kazam	4
Kri	9
La Piazza	7
Lafayette	4
Limerick	CALL
Lucid Lines	9
Lumber Jack	10
Lumber Jane	CALL
Luzon	9
Mesa	7
Metro	6
Mind Bender	7
Minimize	7
Miragi - O	9
Mohair Magic	CALL
Morph	7
My Way	9
Pacific-O	8
Party Boat	9
Phantasea	10
Quietude	7
Renna	6
Ritzi	5
Soul Space	6
Stitch In Time	7
Tas	CALL
Technhound	4
Top Coat	7
Uptick	7
Varick	3

Coated Textiles	1/1/2024
PATTERN	GRADE
A New Twist	4
Assumed Luxury	10
Brazos	6
Buckaroo	9
Bull's Eye	10
Bye Bye Birdie	5
Calf Crazy	10
Canyon	3
Cheap Seats	5
Copy Cow	3
Cowtown	6
Crosshatch	4
Dash of Color	5
Dazzler	9
Diamond Rock	8
E-Scape	9
Extra Celestial	8
Feigned Fancy	10
Fowl Play	10
Gelato	7
Glaze	4
Hemp Canvas	6
Highland	5
Jigsaw	5
Just Kidding	10
Lamb of Luxury	CALL
Mammoth Deception	9
Metal Mesh	CALL
Minotaurus	10
Mock Croc	5
Mooskin	10
Not-A-Hide	4
Parley	3
Patina Glaze	3
Phoenix	3
Plastic Basket	4
Reflection	6
Roseus Regatta	CALL
Sabine	3
Shagreen	4
Shiki Silk	4
Shiny Hide	10
Silicone Grid	10
Silicone Mountain	10
Silicone Prime	9
Silicone Slopes	10
Simply Hyde	6
Sky Writing	6
Sleek	6
Splash	6
Spree	9
Sticks and Strings	5
Stripes	9

Tartan	9
Taurus	10
The Keys	5
Travel Roadies	CALL
Twinkle Sky	7
Twinkle Tapestry	7
Udderly Perfected	8
Ultra Air	9
Vintage Glaze	6
Westerly	6
Western Willie	6
Wishes	4
Wow	4
Zulu	6
Zyon	5

Vinyl & Non-PVC		1/1/2024					
PATTERN	GRADE						
Alamo	2	Ping Pong	7	Orvilla	7		
Amplify	2	Pod	7	Perspective / Perspective 2.0	8		
Arbor	4	Polygon	7	Prisma	5		
Ardent	3	Promenade / Promedade 2.0	5	Raya	6		
Avant	3	Raffia / Raffia 2.0	5	Revolve / Revolve 2.0	8		
Bandwidth	7	Rally	2	Ripple / Ripple 2.0	8		
Blink Ombre	5	Rialto	3	Rivera	4		
Box Chain	2	Riverstone	4	Scoprena	8		
Budget Black	1	Rogue II	2	Twist	8		
Burkshire	3	Round Trip	7	Verge	8		
Cassidy / Cassidy 2.0	3	Route	2	Vertexia / Vertexia 2.0	8		
Channel / Channel 2.0	3	Satchel	3	Waterwand / Waterwand 2.0	7		
Chroma (Color Porcini Only)	6	Scout / Scout 2.0	3	Wicker / Whicker 2.0	6		
Cirque / Cirque 2.0	5	Script / Script 2.0	4	Winnly	5		
Citadel / Citadel 2.0	3	Sentiero	3	Ybor	5		
Clean Slate / Clean Slate 2.0	3	Sentry - HC / Sentry - HC 2.0	3				
Colorguard / Colorguard 2.0	2	Shantung / Shantung 2.0	2	Michael Graves Vinyl	1/1/2024		
Connect / Connect 2.0	3	Sirocco	7	PATTERN	GRADE		
Core / core 2.0	2	Sleek / Sleek 2.0	3	Entrada	3		
Criss Cross / Criss Cross 2.0	3	Smoothie / Smoothie 2.0	3	Excursion	1		
English Pub	3	Spirit Millennium	3	Latitude	1		
Essential	2	Stat-Con	6	Valise	1		
Fizz / Fizz 2.0	4	Stitch In Time	2				
Flanders	3	Strand	3	Non-PVC	1/1/2024		
Frequency / Frequency 2.0	6	Stride	2	PATTERN	GRADE		
Fuse / Fuse 2.0	2	Symphony Classic	2	Arioso	6		
Gabby	2	Tendrill / Tendrill 2.0	2	Attache'	3		
GeoMet	4	Tessuto / Tessuto 2.0	3	Bond	6		
Grand Sierra / Grand Sierra 2.0	2	Tilt	2	Chaos	CALL		
Grille / Grille 2.0	3	Tinker	7	Corium	7		
Hopsack	3	Touchstone	3	Didi	6		
Kilkenny Tweed / Kilkenny	3	Vector	4	Effervescence / Effervescence 2.0	7		
tweed 2.0		Walk The Line / Walk The Line 2.0	7	Etch	7		
Kusari / Kusari 2.0	3	Watercolor Grid	7	Fiberdrill	6		
Lara	2	Weft	2	Fiddlesticks	9		
Laredo	3	Whisper / Whisper 2.0	2	Flare	9		
Lattice	2	Ziggy / Ziggy 2.0	3	Galileo / Galileo 2.0	6		
Level / Level 2.0	4			Impress W/StaKleen™	6		
Loophole / Loophole 2.0	4	Patty Madden Vinyl	1/1/2024	Kid	5		
Lunaria	7	PATTERN	GRADE	Mesa	CALL		
Matrix	4	Affinity / Affinity 2.0	6	Modena / Modena 2.0	7		
Meteor	8	Banyan	4	Petal Dots	7		
Mica / Mica 2.0	3	Bari / Bari 2.0	4	Rain Pool	8		
Moccasin / Moccasin 2.0	2	Bubblerrake / Bubblerrake 2.0	8	Sedona	CALL		
Montana / Montana 2.0	2	Eli / Eli 2.0	5	Sillicone-Avail	9		
Natural World / Natural World 2.0	8	Hashtag	5	Sillicone-Downtown	9		
Naugasoft	3	Intersect	8	Sillicone-Uptown	9		
Nishiki / Nishiki 2.0	3	Juxy / Juxy 2.0	6	Solitaire	2		
Orbit / Orbit 2.0	3	La Scalina	7	Stage	5		
Overlay	4	Lava / Lava 2.0	8	Stallion	6		
Oxford / Oxford 2.0	3	Live Wire	6	Staple	3		
Patriot Plus II / Patriot Plus II 2.0	2	Martini / Martini 2.0	6	Sundance w/StaKleen™	6		
Pebble Trail	6	Median	6	Tender	10		
		Odeon	8	Terra	7		
		Olympus / Olympus 2.0	6	Volterra-HC	CALL		
		Origami	8	Wyatt	4		

Performance Seating	1/1/2024				
PATTERN	GRADE				
Abstract	8	Fidget	6	Perimeter	5
Ace	3	Figment	7	Pinball	6
Acrobat	9	Finley	5	Plaid-itude	7
Adagio	5	Flex	2	Polka	3
Aero	3	Formation	9	Posh	5
Alfresco	7	Fractal	8	Power Grid	7
Alignment	8	Gesture	10	Premier	4
Apprentice	2	Glimpse	6	Printemps	8
Archer	4	Graffiti	8	Prodigy	10
Amature	9	Graph	5	Profile	2
Artisan	4	Gravity	5	Queue	7
Batik	8	Handwork	7	Retrograde	3
Baxter	5	Happy Tappy	9	Rhythm	10
Bespoke	5	Harrison-MB	5	Riddle	3
Bijou	6	Hexie	10	Ritz	5
Blip	3	Hi-Fi	3	River	9
Bliss	9	Highlands	4	Roadmap	4
Bloom	CALL	Hive	3	Rubric	8
Boomerang	9	Honeycomb Shang	4	Salinas	CALL
Borderline	7	Hush	8	San Simeon	10
Boucle Two Way	6	Infinity Plush	9	Sarto	6
Breton	7	Inked	9	Season	9
Brilliant	4	Ishi	9	Sensor	8
Brixton	9	Jambi Stripe Too!	6	Sequence	4
Broadband	8	Jillian	3	Shift	3
Brushwork	7	Kalahari	7	Shimmy	5
Calibration	8	Kenebunk	8	Shuffle	CALL
Cannon Beach	10	Kinetic	6	Sleeping Bear Dunes	7
Catalina	7	Kingsman	5	Soft Spot	4
Ceremony	7	Lateral	3	Splice	10
Charlotte	4	Lexie	9	Sprint	3
Cinema	8	Lorelai - MB	6	Square One	4
Cityscape	6	Luster	6	Stellar	4
Collage	10	Mandala	6	Storyboard	10
Color Block	9	Mantra	9	Studio	5
Concourse	8	Marquetry	7	Stuff	CALL
Continuum	5	Maze	9	Summit	6
Current	9	Menagerie	9	Swipe	7
Crush	3	Metropolis	CALL	Switchboard	6
Cycle	6	Mixed Media	4	Swivel	9
Dart	4	Moby	3	Sylvan	9
Detail	3	Mod	8	Sync	9
District	6	Modernist	10	System	5
Divvy	10	Monhegan	7	Tangram	6
Drift	6	Montage	5	Thrive	9
Duet	6	Myth	9	Tidbit	7
Dynamic	8	Network	6	Torus	6
Eddy	10	New Hempstead	3	Touch Base	4
Equator	8	Night Life	8	Tranquility	8
Euclid	4	Nubbly	7	Traverse	10
Faux Bois	8	Obscura	5	Trio	8
Feature	10	Offset	8	Truss	8
Fenestra Too!	8	Olivia	3	Turn	CALL
		Outlander	4	Upgrade	7
		Pacifica	9	Vapor	9
		Paradox	8	Whirl	9

Wish	CALL
Zanzibar	10
Robert A. M. Stern Performance	1/1/2024
PATTERN	GRADE
Stratford	CALL

Seating	1/1/2023	Elevation	4	Luminary	2
PATTERN	GRADE	Embellish	4	Lyric	3
Abbey	4	Empire Silicone	7	Malibu	4
Acuco	8	Engrave	2	Mandala	9
Adler	2	Enliven	3	Marathon	1
Akoya	3	Ephesus	6	Marmara	5
Align	3	Equal	2	Matka	3
All Seasons	2	Essence	4	Matter	5
Ankara	5	Etch	2	Maverick	2
Antique	3	Fanfare	7	Metal Strips	7
Apollo Silicone	7	Fedora	3	Midway	3
Arc	4	Fiji	2	Milagro	8
Arcade	5	Fitz	5	Milano	4
Balance	4	Flair	2	Mimic	2
Bali	3	Florentino	2	Mingle	3
Basic	1	Form	5	Mira	3
Beaux	3	Forte	1	Mode	4
Belmont	5	Foundation 10	2	Molecule	7
Blueprint	1	Fractal	6	Moonscape	3
Bolero	4	Fresco	2	Multi Crepe	2
Boro	7	Friendship Quilt	4	Neo	3
Botany	6	Function	3	Nexus	2
Boteh	9	Furrow	1	Niche	4
Caressa	3	Fusion	3	Nirvana	7
Carousel	7	Gala	4	Noble	2
Caspian	4	Galveston	3	Nomad	5
Catwalk	3	Gatsby	4	Nylon-Stat	7
Centric	5	Gem	3	Odessa	5
Channel	3	Graph	1	Omega	3
Chaps	3	Gravity	5	Optic 10	2
Chequers	4	Gridline	2	Outback	3
Chopsticks	4	Haarlem	8	Palermo	4
Cipher	1	Harper	6	Paragon	3
Cirque	4	Havana	2	Patio	3
Citycape	4	Haven	4	Pebble Beach	2
Code	1	Hexagon	4	Plaza	4
Collage	7	Huipil	6	Polygon	4
Comalapa	8	Icon	3	Prism 10	2
Connect	5	Imprint	2	Prospect	3
Continuum 10	3	Infinity	6	Puno	6
Copa	2	Interlace	4	Quattro	2
Cosmopolitan	4	Interlude	2	Ranchero	1
Crazy Quilt	7	Jekyll & Hyde	3	Reflector	7
Cross Check	2	Jive	2	Refuge	6
Curator	4	Kantha	7	Relativity	7
Dande	3	Kensington	3	Retro	8
Darning	7	Key Largo	2	Rumba	2
Delano	2	Labrinth	7	Samba	2
Delmar	3	Landcaster	2	Saori	7
Discovery	5	Landscape	5	Score	4
Divert	2	Laramie	CALL	Scout	3
Durango	3	Lavish	4	Seville	2
Duraweave 10	2	Legacy	3	Shift	5
Echo	4	Links	4	Signs	9
Editor	4	Longhorn	4	Silverweave	4
		Loop	4	Sketch	3

Soleil	6
Sonnet	4
Spacer Mesh	2
Spartan	2
Special Black - Madrid	1
Special Black - Oxen	1
Special Black - Sierra	1
Special Black - Wallaby	1
Splendor	4
Spokes	7
Static	7
Strata	2
Sula	8
Sydney	2
Tango	2
Theory 10	2
Truss	5
Utopia	4
Variant 10	2
Vector	7
Venetian	CALL
Verona	3
Vertex	6
Villa	5
Vintage Mohair	CALL
Vinyl Stat - ESD	5
Volante'	CALL
Voyager	5
Webster	7
Whirligig	8
Whirlwind	2
Wilson	7
Wool Boucle	9
Xanadu	7
Zen	5
Zip	3

Upholstery Fabrics	1/1/2024
PATTERN	GRADE
3D Grid	CALL
Ace	3
Aldo	CALL
Amenity II	9
Amuse	5
Audubon	CALL
Bandwidth II	8
Bangle	3
Banter	10
Beep	4
Bobby	3
Boheme	7
Boom II	5
Borders	9
Boxcar	5
Brink	9
Brisk	10
Build	6
Cairns	CALL
Camber	10
Carlo	CALL
Centric	10
Chipper	10
Chromatic	9
Civil	9
Clang	4
Climb	9
Coda	7
Collect	6
Colorwheel	9
Crespo	2
Croquet	5
Crossing Colors	CALL
Cube	9
Culture	7
Current	4
Cutout	7
Dart	3
Dash	5
Decoded	2
Deka	3
Drawing Lines	CALL
Drift	9
Ebb	10
Edison	10
Epic	3
Essay	9
Explore	10
Expo	3
Expession	7
Feltro	3
Fletcher	7
Float	4

Flux	CALL
Focal	2
Fold	CALL
Foundation	8
Free	4
Fuse	3
Glasswork	6
Glide	7
Guideline	9
Guild	3
Guru	3
Graph	1
Grid	1
Habit	4
Hearsay	10
Highline	9
Hitch	6
Hop	8
Hue	4
Insight	3
Interim	10
Iota	8
Jitney	8
Jot	3
Journal	10
Kinney	3
Knack	4
Lark	5
Lateral	7
Ledge	5
Lella	6
Lens	4
Level	9
Lina	CALL
Lineup	4
Lore	10
Lucio	CALL
Mandala	8
Mapping Ideas	CALL
Mello	3
Mazzanine	8
Mikro	9
Nestle	2
Nimble	10
Nubble	6
Origin	1
Otto	4
Painting Strokes	CALL
Panorama	CALL
Pantheon	10
Parable	8
Parachute	6
Paradiso	CALL
Parenthesis	1
Pax	9
Perk	3

Photon	10
Phrase	9
Pierre	CALL
Ping	3
Pip	5
Piper	7
Pique	2
Pixelate	5
Places Spaces Faces	CALL
Plan	6
Platform	8
Point	2
Polka	10
Pop Up	CALL
Propel	9
Proximity	10
Pursue	5
Quince	10
Raft	9
Revolve	CALL
Ring	9
Rise	4
Rivet	2
Rombu	10
Ronda	10
Rubato	5
Rush Hour	10
Sail	5
Scatter	2
Scrabble	2
Site Line	CALL
Sketching Air	CALL
Skip	4
Slice	3
Small Talk	10
Solace	5
Starboard	5
Story	9
Stroll	4
Strum	8
Strut	5
Subdivide	9
Sunny	7
Syntax	3
Tack	4
Tactic	CALL
Tech Weave	CALL
Tesla	9
Tilt	8
Toggle	3
Trivia	10
Tufted	CALL
Via	4
Vox	3
Wander	5
Weaving Palettes	CALL

Well Well Well	CALL	Coated Fabrics	1/1/2024	Silica Bubbler	8
Whim	9			Silica Checker	9
Why Why Why	CALL	PATTERN	GRADE	Silica Chopsticks	4
Crypton Fabrics	1/1/2024	Acoustic	10	Silica Compass	8
PATTERN	GRADE	Agora II	5	Silica Cusp	8
Acrobat	6	Anthology CV	6	Silica Deflect	8
Almanac	CALL	Archer	9	Silica Effloresce	8
Ascend	6	Artisanal Epu	5	Silica Etc.	8
Caravan	4	Beeline Epu	5	Silica Etch	8
Central	6	Bravo II	6	Silica Excursion	8
Channel	6	Canter Epu	4	Silica Fiona	8
Cover Cloth	5	Carson CV	2	Silica Flick	8
Crosswise	6	Cashmere II	5	Silica Fresco	9
Docket	CALL	Chime CV	6	Silica Fritz	9
Domain	7	Cotton CV	6	Silica Gidget	8
Etude	CALL	Cycle	6	Silica Excursion	8
Faux Felt	5	Dexter Epu	5	Silica Hiatus	8
Faux MO	7	Dome CV	5	Silica Hoop	8
Flock	6	Endurance Epu	4	Silica Kip	8
Hobnob	6	Eon Epu	5	Silica Jig	8
Infinity C-Zero	3	Evo CV	4	Silica Leather	8
Infusion	9	Fidget CV	6	Silica Likely	8
Kayak	6	Follow CV	6	Silica Motive	4
Keynote	5	Foray	6	Silica Reach	8
Kit	6	Frida CV	6	Silica Roam	8
Marathon C-Zero	3	Groove Epu	5	Silica Scout	8
Millennium C-Zero	3	Halo	8	Silica Spoke	9
Oath	7	Hyde CV	4	Silica Strata	8
Odyssey C-Zero	3	Improv CV	5	Silica Stride	8
Overpass	7	Jackpot CV	6	Silica Suede	7
Roster	CALL	Keeper CV	5	Silica Tao	8
Score	6	Kindred	8	Silica Tech	8
Shuttle	6	Lasanna CV	6	Silica Thatch	8
Smart Soft	4	Lasso CV	6	Silica Today Here	8
Solitaire	5	Leafdot CV	6	Silica Triad	8
Sport	5	Leno	10	Silica Waltz	8
Synergy	6	Linen CV	5	Silica Wifi	8
Tag	5	Mixer Epu	5	Speakeasy CV	5
Tradition C-Zero	3	Mixology CV	5	Spunk CV	5
Trefoil	7	Mogul Epu	5	Tanner	4
Trilogy	6	Nifty	4	Tradewinds CV	6
Wever	6	Note CV	4	Tribeca CV	5
		Poetic CV	5	Twill Epu	5
		Printwork Epu	5	Vanguard CV	5
		Rein II	5	Vanish	7
		Ringer CV	6	Velocity	5
		Row	6	Whisp	7
		Sanya CV	4	Whit Epu	5
		Sensory CV	5	Witzel CV	5
		Sidestep	9	Yarnplay CV	6
		Silica	8	Zipped	9
		Silica Andy	8		
		Silica Arc	8		
		Silica Bauble	8		
		Silica Blend	7		
		Silica Bracket	9		

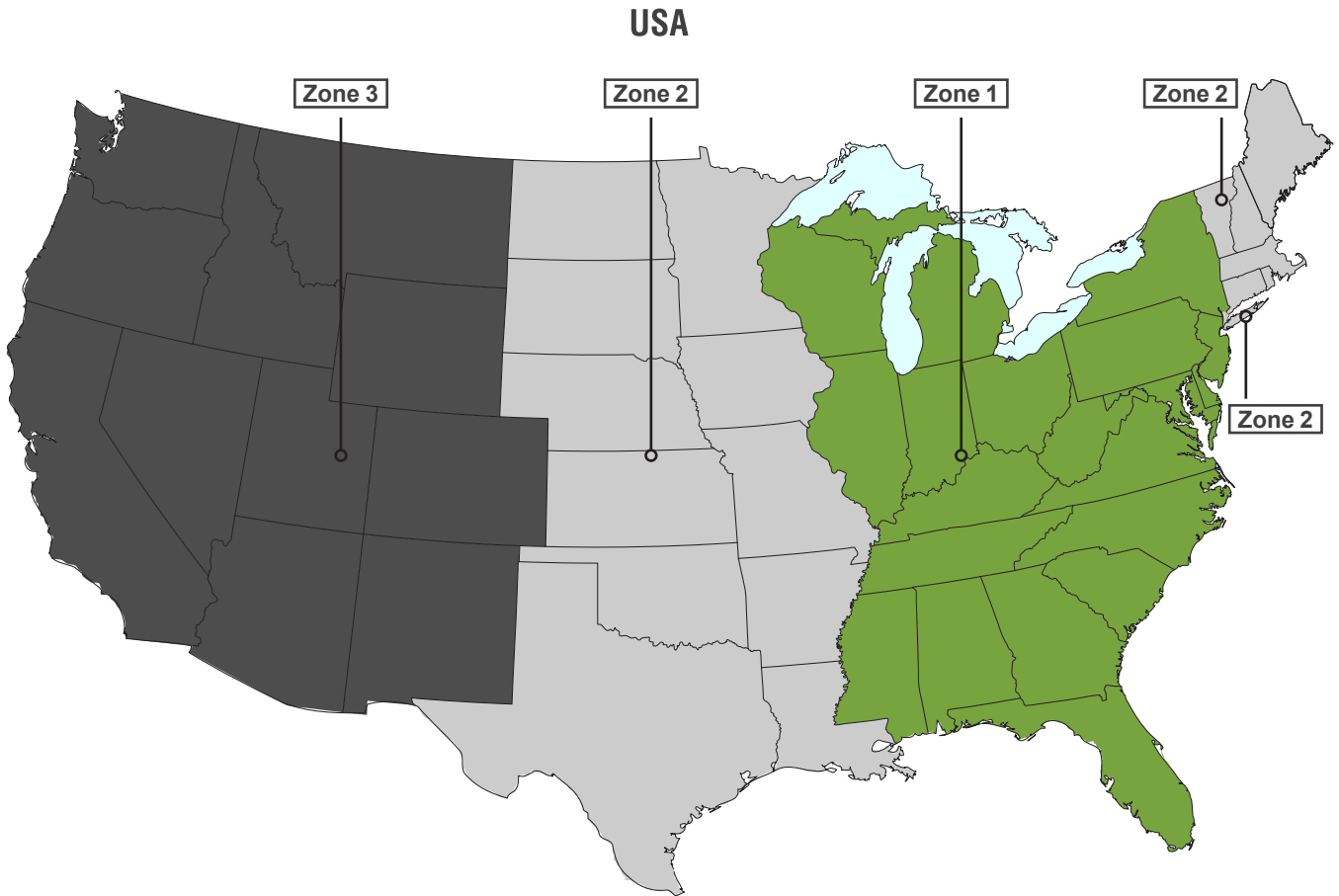
Panel Fabrics	1/1/2024
---------------	----------

PATTERN	GRADE
Cameo	3
Curtain Call	3
Encore	2
Glint	3
Kinect	3
Meander	3
Pact	3
Proverb	3
Script	3
Tenor	3
Universe	3

Cubicle Fabrics	1/1/2024
-----------------	----------

PATTERN	GRADE
Aloft	5
Aurora PC	4
Barcode	4
Bevy	5
Branches	3
Charette	4
Dogwood Leaves	6
Elon	4
Essence PC	6
Gradient Grid	4
Gradual	5
Haiku	5
Line Dance	4
Midlands	5
Mood	5
Respite	4
Rosetta	4
Serendipity II	5
Solaris	5
Streamers	5
Vinea	5
Waypoint	4
Zento	5

Use the following guide to **determine the delivered pricing** for your LIAT furniture product by **selecting your zone** from the map and reviewing the price changes for each zone. To **determine your list price**, add your prices from your selected furniture and then **add the shipping cost based on your designated zone.**



- **Zone 1** No extra cost
- **Zone 2** Add 7% to the list price
- **Zone 3** Add 15% to the list price

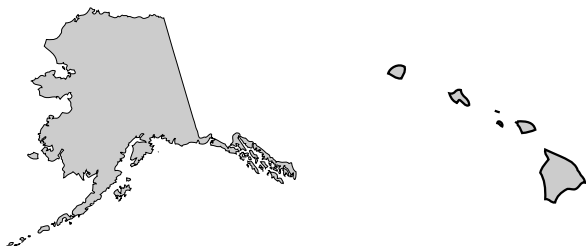
Zone 1 orders less than \$20,000 list will have a freight minimum fee of up to **\$2,000** list.

Zone 2 orders less than \$20,000 list will have a freight minimum fee of up to **\$2,000** list, plus 7% of list

Zone 3 orders less than \$20,000 list will have a freight minimum fee of up to **\$2,000** list, plus 15% of list

Hawaii, Alaska, and International

Note. This system does not apply to our international customers or those living in Alaska and Hawaii, **freight must be quoted separately for these orders.**



*Most LIAT product is shipped knocked down (KD). Assembly in the field is required.

*LIAT reserves the right to add a freight surcharge dependent on current market conditions.

Use the following guide to **determine the delivered pricing** for your LIAT furniture product by **selecting your zone** from the map and reviewing the price changes for each zone. To **determine your list price**, add your prices from your selected furniture and then **add the shipping cost based on your designated zone**.

Size Changes

To order a special size product, use the price of the next largest size. If the special size is larger than what is shown, contact project management.

Catalog Number Changes

To order a modified product, add an "X" as a prefix to the catalog number. The "X" will signify that there has been a modification to ensure the product is engineered and manufactured correctly. LIAT may change the overall catalog number slightly to create a unique identifier as the quote/order goes through our in-house system.

Description Changes

When ordering a modified product, make sure to include all information pertaining to the modification in the description of the quote request / purchase order.

Approval Drawings

LIAT is always happy to send drawings for approval when requested by the customer. When modifications are made to product, LIAT requires approval drawings to be signed off prior to releasing an order to be manufactured.

LIAT Project Managers are here to assist you with any questions you may have.

● Level 1	Up to \$250 list	0-2 hours of engineering time	No significant manufacturing changes
● Level 2	Up to \$500 list	2-4 hours of engineering time	No significant manufacturing changes
● Level 3	Up to \$750 list	0-4 hours of engineering time	Slight manufacturing changes
● Level 4	Up to \$1,000 list	Significant engineering time	Slight manufacturing changes
● Level 5	\$1,000+ list	Significant engineering time	Significant manufacturing changes



Belmont
26



Canton
45



Haywood
52



Korak
69



Lenoir
80



Sentro
95



Shelby
100



Tahoe
111



Vance
125

Belmont

Price List

Effective 11/1/2023

Ordering Information	27
Specifications	28
Ottomans	29
Occasional Tables	37
Shared Tables	40
Typicals	43



LIATfurniture.com

694 North Main Street · Troutman, NC 28166
TF 888 440 8205

LIAT 
LOUNGE

Use this checklist to be sure you have all of the necessary information to place your order.

Catalog Number

Use our build guides to create your catalog number.

Fabrics & Textiles

Please specify vendor, pattern name and pattern color. See 12 for a complete list of LIAT Graded-In Fabrics.

Laminate Selection ***Occasional Tables only***

Standard Wilsonart or Formica. Please specify manufacturer, color, finish and model number.

PVC Edge Band ***Occasional Tables only***

See 8 for a complete list of standard LIAT PVC Edge Band options.

Accessories

Contrasting Fabrics

When specifying contrasting upholstery, please clearly indicate which upholstery is to be applied to the seat, back and arms. Use the higher grade for pricing purposes.

Fabric Direction

Please specify any special applications instructions. If no special instructions are provided with the order, LIAT will upholster the fabric at our own discretion, typically "Up The Roll" with any stripes/pattern going from front to back.

COM Order Information

All COM orders must include the following:

- Vendor name, pattern name and pattern color.
- Sample of the fabric attached with the order.
- Any special application instructions.
- Ship prepaid COM to:

LIAT Furniture
ATTN: COM Upholstery
694 North Main Street
Troutman, NC 28166

COM Policy

All yardage requirements for COM are based upon 54" plain non-direction material. Additional yardage may be required based on repeat and matching. All COM requires pre-approval by LIAT. Use the guide at the bottom of this page to estimate the required yardage. LIAT takes no responsibility when additional materials must be ordered. LIAT takes no responsibility for tailoring, wear-ability or application of COM fabrics & textiles. Any warranty claims for COM fabrics & textiles will fall to the original vendor of the material.

COM Fabric Repeat Guide ***Based on 54" wide roll***

Plain Fabric	1-5" Repeat	6-10" Repeat	11-15" Repeat	16-20" Repeat	21-30" Repeat	31-40" Repeat	41"+
0%	10%	15%	20%	25%	30%	40%	50%

Ottomans

The lounge frames are constructed of puzzle cut 7/8" thick plytanium with locking dog bone joint construction that is glued and stapled.

The seats are strapped with 3" Dymetrol elastic webbing and 2" thick high density polyurethane foam with a 1/2" Dacron wrap.

Occasional Tables

The occasional table frames are constructed of puzzle cut 7/8" thick plytanium with locking dog bone joint construction that is glued and stapled.

The tops are constructed of 1-1/8" thick particle board core with a .050" thick high pressure laminate top surface, a .020" thick phenolic backing sheet, and a 3mm PVC edge band.

Shared Tables

The upholstered shared table bases are constructed of puzzle cut 7/8" thick plytanium with locking dog bone joint construction that is glued and stapled.

The laminate table bases are constructed of 1" plywood and covered with a vertical grade laminate. Laminate bases are only available in the round shape.

The tops are constructed of 1-1/8" thick particle board core with a .050" thick high pressure laminate top surface, a .020" thick phenolic backing sheet, and a 3mm PVC edge band.

Electrical / Power

There are several standard table-top electrical options complete with power outlets, data ports and/or USB charging ports. See the accessories section for standard offerings.

Electrical/Power options are only available on the Shared Tables. Contact project management to customize your desired configurations.

Part Number
Configurator

BE – **LG** – **1** **2** **3** – **4**

Required Selections

Component	Code	Description	24" Dia	30" Dia	36" Dia	42" Dia	48" Dia
1	Depth	18 18" Deep	\$1,348	\$1,508	\$1,581	\$1,611	\$1,812
2	Inside Diameter	24 24" Inside Diameter	\$0	-	-	-	-
		30 30" Inside Diameter	-	\$0	-	-	-
		36 36" Inside Diameter	-	-	\$0	-	-
		42 42" Inside Diameter	-	-	-	\$0	-
		48 48" Inside Diameter	-	-	-	-	\$0
3	Shape	C Curved Lounge	\$0	\$0	\$0	\$0	\$0
4	Height	15 15" High	\$0	\$0	\$0	\$0	\$0
		18 18" High	\$0	\$0	\$0	\$0	\$0

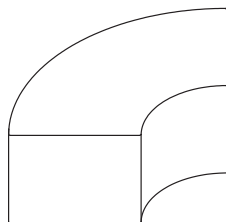
Available Upgrades

Component	Code	Description	24" Dia	30" Dia	36" Dia	42" Dia	48" Dia
5	Casters	-CA Casters	\$73	\$73	\$73	\$73	\$73

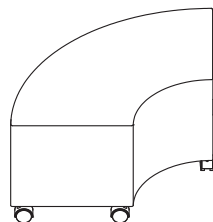
Fabric Selections

Component	Code	Description	24" Dia	30" Dia	36" Dia	42" Dia	48" Dia	
6	Fabric Grade	-COM Customers Own Material	\$0	\$0	\$0	\$0	\$0	
		fabric requirements (yards):		3.00	3.50	3.75	3.75	4.50
		-G1 Grade 1	\$0	\$0	\$0	\$0	\$0	
		-G2 Grade 2	\$90	\$105	\$113	\$113	\$135	
		-G3 Grade 3	\$177	\$207	\$221	\$221	\$266	
		-G4 Grade 4	\$264	\$308	\$330	\$330	\$396	
		-G5 Grade 5	\$354	\$413	\$443	\$443	\$531	
		-G6 Grade 6	\$441	\$515	\$551	\$551	\$662	
		-G7 Grade 7	\$528	\$616	\$660	\$660	\$792	
		-G8 Grade 8	\$618	\$721	\$773	\$773	\$927	
		-G9 Grade 9	\$726	\$847	\$968	\$968	\$1,210	
-G10 Grade 10	\$837	\$977	\$1,116	\$1,116	\$1,395			

Quick Looks

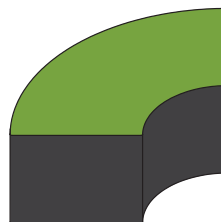


BE-LG-1824C-18



BE-LG-1824C-18-CA

Fabric Combination Options



Base 1 | Seat Top 2

Part Number
Configurator

BE – **LG** – **1** **2** – **3**

Required Selections

Component	Code	Description	18" Sides
1	Size	18 18" Sides	\$1,687
2	Shape	H Hexagon Lounge	\$0
3	Height	15 15" High	\$0
		18 18" High	\$0

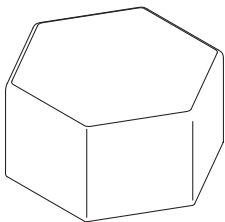
Available Upgrades

Component	Code	Description	18" Sides
4	Casters	-CA Casters	\$88

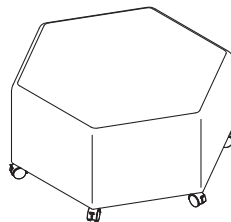
Fabric Selections

Component	Code	Description	18" Sides
5	Fabric Grade	-COM Customers Own Material	\$0
		fabric requirements (yards):	4.00
	-G1	Grade 1	\$0
	-G2	Grade 2	\$120
	-G3	Grade 3	\$236
	-G4	Grade 4	\$352
	-G5	Grade 5	\$472
	-G6	Grade 6	\$588
	-G7	Grade 7	\$704
	-G8	Grade 8	\$824
	-G9	Grade 9	\$968
	-G10	Grade 10	\$1,116

Quick Looks

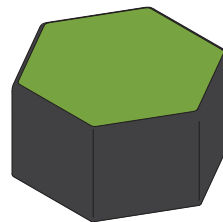


BE-LG-18H-18



BE-LG-18H-18-CA

Fabric Combination Options



Base 1 | Seat Top 2

Part Number
Configurator

BE – **LG** – **1** **2** – **3**

Required Selections

Component	Code Description	18" Sides	24" Sides	30" Sides	36" Sides	42" Sides
1 Size	18 18" Sides	\$1,244	-	-	-	-
	24 24" Sides	-	\$1,306	-	-	-
	30 30" Sides	-	-	\$1,508	-	-
	36 36" Sides	-	-	-	\$1,570	-
	42 42" Sides	-	-	-	-	\$1,729
2 Shape	P Pie Lounge	\$0	\$0	\$0	\$0	\$0
3 Height	15 15" High	\$0	\$0	\$0	\$0	\$0
	18 18" High	\$0	\$0	\$0	\$0	\$0

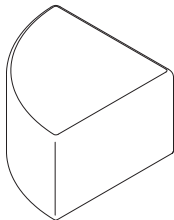
Available Upgrades

Component	Code Description	18" Sides	24" Sides	30" Sides	36" Sides	42" Sides
4 Casters	-CA Casters	\$58	\$58	\$58	\$58	\$58

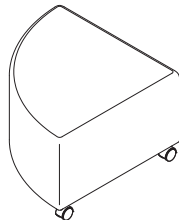
Fabric Selections

Component	Code Description	18" Sides	24" Sides	30" Sides	36" Sides	42" Sides	
5 Fabric Grade	-COM Customers Own Material	\$0	\$0	\$0	\$0	\$0	
		fabric requirements (yards):					
		3.25	3.25	3.75	3.75	4.00	
	-G1 Grade 1	\$0	\$0	\$0	\$0	\$0	
	-G2 Grade 2	\$98	\$98	\$113	\$113	\$120	
	-G3 Grade 3	\$192	\$192	\$221	\$221	\$236	
	-G4 Grade 4	\$286	\$286	\$330	\$330	\$352	
	-G5 Grade 5	\$384	\$384	\$443	\$443	\$472	
	-G6 Grade 6	\$478	\$478	\$551	\$551	\$588	
	-G7 Grade 7	\$572	\$572	\$660	\$660	\$704	
	-G8 Grade 8	\$670	\$670	\$773	\$773	\$824	
-G9 Grade 9	\$787	\$787	\$908	\$908	\$968		
-G10 Grade 10	\$907	\$907	\$1,046	\$1,046	\$1,116		

Quick Looks



BE-LG-30P-18



BE-LG-30P-18-CA

Fabric Combination Options



Base 1 | Seat Top 2

Part Number
Configurator

BE – **LG** – **1** **2** **3** – **4**

Required Selections

Component	Code	Description	24" Long	36" Long	48" Long	60" Long	72" Long
1	Depth	18 18" Deep	\$1,163	\$1,274	\$1,527	\$1,890	\$2,065
2	Length	24 24" Long	\$0	-	-	-	-
		36 36" Long	-	\$0	-	-	-
		48 48" Long	-	-	\$0	-	-
		60 60" Long	-	-	-	\$0	-
		72 72" Long	-	-	-	-	\$0
3	Shape	R Rectangle Lounge	\$0	\$0	\$0	\$0	\$0
4	Height	15 15" High	\$0	\$0	\$0	\$0	\$0
		18 18" High	\$0	\$0	\$0	\$0	\$0

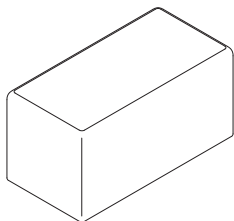
Available Upgrades

Component	Code	Description	24" Long	36" Long	48" Long	60" Long	72" Long
5	Casters	-CA Casters	\$58	\$58	\$58	\$88	\$88

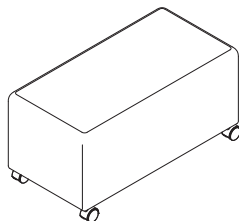
Fabric Selections

Component	Code	Description	24" Long	36" Long	48" Long	60" Long	72" Long	
6	Fabric Grade	-COM Customers Own Material	\$0	\$0	\$0	\$0	\$0	
		fabric requirements (yards):		2.50	2.75	3.50	4.50	5.00
		-G1 Grade 1	\$0	\$0	\$0	\$0	\$0	
		-G2 Grade 2	\$75	\$83	\$105	\$135	\$150	
		-G3 Grade 3	\$148	\$162	\$207	\$266	\$295	
		-G4 Grade 4	\$220	\$242	\$308	\$396	\$440	
		-G5 Grade 5	\$295	\$325	\$413	\$531	\$590	
		-G6 Grade 6	\$368	\$404	\$515	\$662	\$735	
		-G7 Grade 7	\$440	\$484	\$616	\$792	\$880	
		-G8 Grade 8	\$515	\$567	\$721	\$927	\$1,030	
		-G9 Grade 9	\$605	\$666	\$847	\$1,089	\$1,210	
-G10 Grade 10	\$698	\$767	\$977	\$1,186	\$1,395			

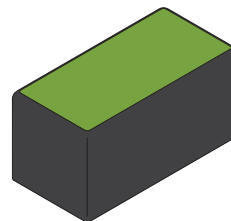
Quick Looks



BE-LG-1836R-18



BE-LG-1836R-18-CA



Base 1 | Seat Top 2

Fabric Combination Options

Part Number
Configurator

BE – **LG** – **1** **2** – **3**

Required Selections

Component	Code Description	18" Dia	24" Dia	30" Dia	36" Dia	42" Dia
1 Size	18 18" Diameter	\$985	-	-	-	-
	24 24" Diameter	-	\$1,161	-	-	-
	30 30" Diameter	-	-	\$1,306	-	-
	36 36" Diameter	-	-	-	\$1,481	-
	42 42" Diameter	-	-	-	-	\$1,756
2 Shape	D Round Lounge	\$0	\$0	\$0	\$0	\$0
3 Height	15 15" High	\$0	\$0	\$0	\$0	\$0
	18 18" High	\$0	\$0	\$0	\$0	\$0

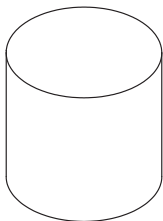
Available Upgrades

Component	Code Description	18" Dia	24" Dia	30" Dia	36" Dia	42" Dia
4 Casters	-CA Casters	\$73	\$73	\$73	\$73	\$73

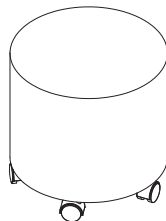
Fabric Selections

Component	Code Description	18" Dia	24" Dia	30" Dia	36" Dia	42" Dia	
5 Fabric Grade	-COM Customers Own Material	\$0	\$0	\$0	\$0	\$0	
	fabric requirements (yards):		2.25	2.75	3.00	3.50	4.25
	-G1 Grade 1	\$0	\$0	\$0	\$0	\$0	
	-G2 Grade 2	\$68	\$83	\$90	\$105	\$128	
	-G3 Grade 3	\$133	\$162	\$177	\$207	\$251	
	-G4 Grade 4	\$198	\$242	\$264	\$308	\$374	
	-G5 Grade 5	\$266	\$325	\$354	\$413	\$502	
	-G6 Grade 6	\$331	\$404	\$441	\$515	\$625	
	-G7 Grade 7	\$396	\$484	\$528	\$616	\$748	
	-G8 Grade 8	\$464	\$567	\$618	\$721	\$876	
	-G9 Grade 9	\$545	\$666	\$726	\$847	\$1,029	
-G10 Grade 10	\$628	\$767	\$837	\$977	\$1,186		

Quick Looks



BE-LG-18D-18



BE-LG-18D-18-CA

Fabric Combination Options



Base 1 | Seat Top 2

Part Number
Configurator

BE – **LG** – **1** **2** – **3**

Required Selections

Component	Code Description	18" Wide	24" Wide	30" Wide	36" Wide	42" Wide
1 Size	18 18" Wide	\$1,017	-	-	-	-
	24 24" Wide	-	\$1,192	-	-	-
	30 30" Wide	-	-	\$1,337	-	-
	36 36" Wide	-	-	-	\$1,512	-
	42 42" Wide	-	-	-	-	\$1,786
2 Shape	S Square Lounge	\$0	\$0	\$0	\$0	\$0
3 Height	15 15" High	\$0	\$0	\$0	\$0	\$0
	18 18" High	\$0	\$0	\$0	\$0	\$0

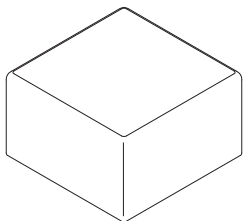
Available Upgrades

Component	Code Description	18" Wide	24" Wide	30" Wide	36" Wide	42" Wide
4 Casters	-CA Casters	\$58	\$58	\$58	\$58	\$58

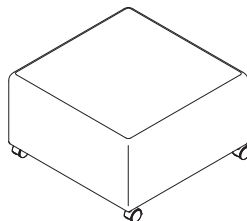
Fabric Selections

Component	Code Description	18" Wide	24" Wide	30" Wide	36" Wide	42" Wide	
5 Fabric Grade	-COM Customers Own Material	\$0	\$0	\$0	\$0	\$0	
		fabric requirements (yards):	2.25	2.75	3.00	3.50	4.25
	-G1 Grade 1	\$0	\$0	\$0	\$0	\$0	
	-G2 Grade 2	\$68	\$83	\$90	\$105	\$128	
	-G3 Grade 3	\$133	\$162	\$177	\$207	\$251	
	-G4 Grade 4	\$198	\$242	\$264	\$308	\$374	
	-G5 Grade 5	\$266	\$325	\$354	\$413	\$502	
	-G6 Grade 6	\$331	\$404	\$441	\$515	\$625	
	-G7 Grade 7	\$396	\$484	\$528	\$616	\$748	
	-G8 Grade 8	\$464	\$567	\$618	\$721	\$876	
	-G9 Grade 9	\$545	\$666	\$726	\$847	\$1,029	
-G10 Grade 10	\$628	\$767	\$837	\$977	\$1,186		

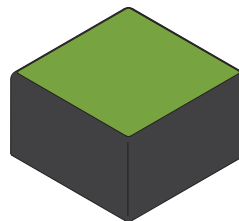
Quick Looks



BE-LG-30S-18



BE-LG-30S-18-CA



Base 1 | Seat Top 2

Fabric Combination Options

Part Number
Configurator

BE – **LG** – **1** **2** **3** – **4**

Required Selections

Component	Code Description	24" Long	36" Long	48" Long	60" Long	72" Long
1 Depth	18 18" Deep	\$1,220	\$1,389	\$1,585	\$1,890	\$2,065
2 Length	24 24" Long	\$0	-	-	-	-
	36 36" Long	-	\$0	-	-	-
	48 48" Long	-	-	\$0	-	-
	60 60" Long	-	-	-	\$0	-
	72 72" Long	-	-	-	-	\$0
3 Shape	T Trapezoid Lounge	\$0	\$0	\$0	\$0	\$0
4 Height	15 15" High	\$0	\$0	\$0	\$0	\$0
	18 18" High	\$0	\$0	\$0	\$0	\$0

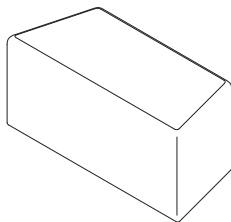
Available Upgrades

Component	Code Description	24" Long	36" Long	48" Long	60" Long	72" Long
5 Casters	-CA Casters	\$58	\$58	\$58	\$88	\$88

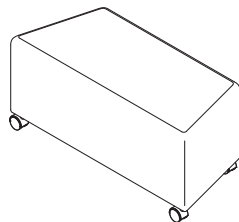
Fabric Selections

Component	Code Description	24" Long	36" Long	48" Long	60" Long	72" Long
6 Fabric Grade	-COM Customers Own Material	\$0	\$0	\$0	\$0	\$0
	fabric requirements (yards):	2.50	3.00	3.50	4.50	5.00
	-G1 Grade 1	\$0	\$0	\$0	\$0	\$0
	-G2 Grade 2	\$75	\$90	\$105	\$135	\$150
	-G3 Grade 3	\$148	\$177	\$207	\$266	\$295
	-G4 Grade 4	\$220	\$264	\$308	\$396	\$440
	-G5 Grade 5	\$295	\$354	\$413	\$531	\$590
	-G6 Grade 6	\$368	\$441	\$515	\$662	\$735
	-G7 Grade 7	\$440	\$528	\$616	\$792	\$880
	-G8 Grade 8	\$515	\$618	\$721	\$927	\$1,030
	-G9 Grade 9	\$605	\$726	\$847	\$1,089	\$1,210
-G10 Grade 10	\$698	\$837	\$977	\$1,186	\$1,395	

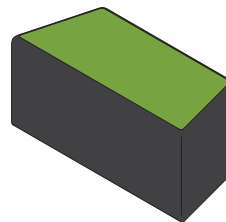
Quick Looks



BE-LG-18D-18



BE-LG-18D-18-CA



Base 1 | Seat Top 2

Fabric Combination Options

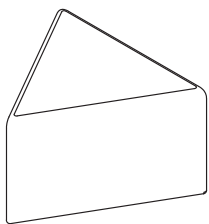
Part Number
Configurator

BE – **LG** – **1** **2** – **3**

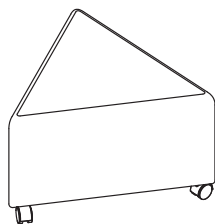
Required Selections							
Component	Code	Description	18" Sides	24" Sides	30" Sides	36" Sides	42" Sides
1 Size	18	18" Sides	\$853	-	-	-	-
	24	24" Sides	-	\$1,079	-	-	-
	30	30" Sides	-	-	\$1,330	-	-
	36	36" Sides	-	-	-	\$1,465	-
	42	42" Sides	-	-	-	-	\$1,658
2 Shape	N	Triangle Lounge	\$0	\$0	\$0	\$0	\$0
3 Height	15	15" High	\$0	\$0	\$0	\$0	\$0
	18	18" High	\$0	\$0	\$0	\$0	\$0

Fabric Selections							
Component	Code	Description	18" Sides	24" Sides	30" Sides	36" Sides	42" Sides
4 Fabric Grade	-COM	Customers Own Material	\$0	\$0	\$0	\$0	\$0
		fabric requirements (yards):	1.50	2.25	3.00	3.50	4.00
	-G1	Grade 1	\$0	\$0	\$0	\$0	\$0
	-G2	Grade 2	\$45	\$68	\$90	\$105	\$120
	-G3	Grade 3	\$89	\$133	\$177	\$207	\$236
	-G4	Grade 4	\$132	\$198	\$264	\$308	\$352
	-G5	Grade 5	\$177	\$266	\$354	\$413	\$472
	-G6	Grade 6	\$221	\$331	\$441	\$515	\$588
	-G7	Grade 7	\$264	\$396	\$528	\$616	\$704
	-G8	Grade 8	\$309	\$464	\$618	\$721	\$824
	-G9	Grade 9	\$363	\$545	\$726	\$847	\$968
-G10	Grade 10	\$419	\$628	\$837	\$977	\$1,116	

Quick Looks

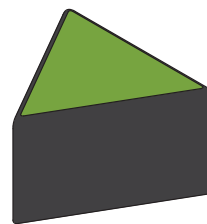


BE-LG-30S-18



BE-LG-30S-18-CA

Fabric Combination Options



Base 1 | Seat Top 2

Part Number
Configurator

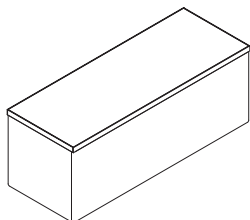
BE – **OT** – **1** **2** **3** – **4**

Required Selections							
Component	Code	Description	24" Long	36" Long	48" Long	60" Long	72" Long
1	Depth	18 18" Deep	\$1,249	\$1,435	\$1,703	\$2,127	\$2,263
2	Length	24 24" Long	\$0	-	-	-	-
		36 36" Long	-	\$0	-	-	-
		48 48" Long	-	-	\$0	-	-
		60 60" Long	-	-	-	\$0	-
		72 72" Long	-	-	-	-	\$0
3	Shape	R Rectangle	\$0	\$0	\$0	\$0	\$0
4	Height	15 15" High	\$0	\$0	\$0	\$0	\$0
		18 18" High	\$0	\$0	\$0	\$0	\$0
		21 21" High	\$0	\$0	\$0	\$0	\$0

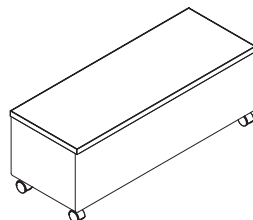
Available Upgrades							
Component	Code	Description	24" Long	36" Long	48" Long	60" Long	72" Long
5	Casters	-CA Casters	\$58	\$58	\$58	\$88	\$88

Fabric Selections								
Component	Code	Description	24" Long	36" Long	48" Long	60" Long	72" Long	
6	Fabric Grade	-COM Customers Own Material	\$0	\$0	\$0	\$0	\$0	
		fabric requirements (yards):		2.00	2.50	3.25	4.25	4.50
		-G1 Grade 1	\$0	\$0	\$0	\$0	\$0	
		-G2 Grade 2	\$60	\$75	\$98	\$128	\$135	
		-G3 Grade 3	\$118	\$148	\$192	\$251	\$266	
		-G4 Grade 4	\$176	\$220	\$286	\$374	\$396	
		-G5 Grade 5	\$236	\$295	\$384	\$502	\$531	
		-G6 Grade 6	\$294	\$368	\$478	\$625	\$662	
		-G7 Grade 7	\$352	\$440	\$572	\$748	\$792	
		-G8 Grade 8	\$412	\$515	\$670	\$876	\$927	
		-G9 Grade 9	\$484	\$605	\$787	\$1,029	\$1,089	
-G10 Grade 10	\$558	\$698	\$907	\$1,186	\$1,256			

Quick Looks



BE-LG-1848R-18



BE-LG-1848R-18-CA

Part Number
Configurator

BE – **OT** – **1** **2** – **3**

Required Selections

Component	Code Description	18" Dia	24" Dia	30" Dia	36" Dia	42" Dia
1 Size	18 18" Diameter	\$1,183	-	-	-	-
	24 24" Diameter	-	\$1,371	-	-	-
	30 30" Diameter	-	-	\$1,565	-	-
	36 36" Diameter	-	-	-	\$1,795	-
	42 42" Diameter	-	-	-	-	\$2,119
2 Shape	D Round	\$0	\$0	\$0	\$0	\$0
3 Height	15 15" High	\$0	\$0	\$0	\$0	\$0
	18 18" High	\$0	\$0	\$0	\$0	\$0
	21 21" High	\$0	\$0	\$0	\$0	\$0

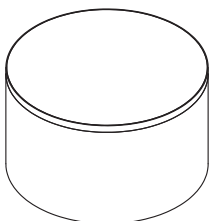
Available Upgrades

Component	Code Description	18" Dia	24" Dia	30" Dia	36" Dia	42" Dia
4 Casters	-CA Casters	\$73	\$73	\$73	\$73	\$73

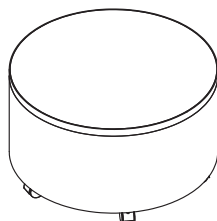
Fabric Selections

Component	Code Description	18" Dia	24" Dia	30" Dia	36" Dia	42" Dia	
5 Fabric Grade	-COM Customers Own Material	\$0	\$0	\$0	\$0	\$0	
		fabric requirements (yards):	2.00	2.50	2.75	3.25	4.00
	-G1 Grade 1	\$0	\$0	\$0	\$0	\$0	
	-G2 Grade 2	\$60	\$75	\$83	\$98	\$120	
	-G3 Grade 3	\$118	\$148	\$162	\$192	\$236	
	-G4 Grade 4	\$176	\$220	\$242	\$286	\$352	
	-G5 Grade 5	\$236	\$295	\$325	\$384	\$472	
	-G6 Grade 6	\$294	\$368	\$404	\$478	\$588	
	-G7 Grade 7	\$352	\$440	\$484	\$572	\$704	
	-G8 Grade 8	\$412	\$515	\$567	\$670	\$824	
	-G9 Grade 9	\$484	\$605	\$666	\$787	\$968	
-G10 Grade 10	\$558	\$698	\$698	\$907	\$1,116		

Quick Looks



BE-LG-30D-18



BE-LG-30D-18-CA

Part Number
Configurator

BE – **OT** – **1** **2** – **3**

Required Selections

Component	Code Description	18" Wide	24" Wide	30" Wide	36" Wide	42" Wide
1 Size	18 18" Wide	\$1,264	-	-	-	-
	24 24" Wide	-	\$1,452	-	-	-
	30 30" Wide	-	-	\$1,646	-	-
	36 36" Wide	-	-	-	\$1,876	-
	42 42" Wide	-	-	-	-	\$2,201
2 Shape	S Square	\$0	\$0	\$0	\$0	\$0
3 Height	15 15" High	\$0	\$0	\$0	\$0	\$0
	18 18" High	\$0	\$0	\$0	\$0	\$0
	21 21" High	\$0	\$0	\$0	\$0	\$0

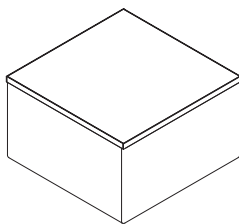
Available Upgrades

Component	Code Description	18" Wide	24" Wide	30" Wide	36" Wide	42" Wide
4 Casters	-CA Casters	\$58	\$58	\$58	\$58	\$58

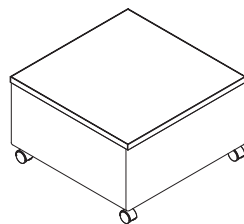
Fabric Selections

Component	Code Description	18" Wide	24" Wide	30" Wide	36" Wide	42" Wide
5 Fabric Grade	-COM Customers Own Material	\$0	\$0	\$0	\$0	\$0
		fabric requirements (yards):				
		2.25	2.75	3.00	3.50	4.25
	-G1 Grade 1	\$0	\$0	\$0	\$0	\$0
	-G2 Grade 2	\$68	\$83	\$90	\$105	\$128
	-G3 Grade 3	\$133	\$162	\$177	\$207	\$251
	-G4 Grade 4	\$198	\$242	\$264	\$308	\$374
	-G5 Grade 5	\$266	\$325	\$354	\$413	\$502
	-G6 Grade 6	\$331	\$404	\$441	\$515	\$625
	-G7 Grade 7	\$396	\$484	\$528	\$616	\$748
	-G8 Grade 8	\$464	\$567	\$618	\$721	\$876
-G9 Grade 9	\$545	\$666	\$726	\$847	\$1,029	
-G10 Grade 10	\$628	\$767	\$837	\$977	\$1,186	

Quick Looks



BE-LG-30S-18



BE-LG-30S-18-CA

Part Number
Configurator

BE – **ST** – **1** **2** **3** – **4**

Required Selections

Component	Code	Description	60" Long 72" Long	
1	Depth	48 48" Deep	\$2,129	\$2,494
2	Length	60 60" Long	\$0	-
		72 72" Long	-	\$0
3	Shape	R Rectangle	\$0	\$0
4	Height	26 26" High	\$0	\$0
		29 29" High	\$0	\$0

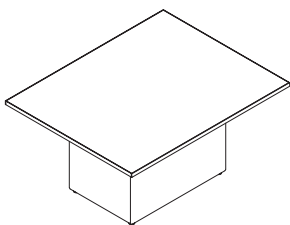
Available Upgrades

Component	Code	Description	60" Long 72" Long	
5	Power/Data	-PD Power/Data Cutout	\$53	\$53

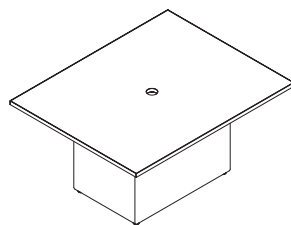
Fabric Selections

Component	Code	Description	60" Long 72" Long		
6	Fabric Grade	-COM Customers Own Material	\$0	\$0	
		fabric requirements (yards):		3.50	4.50
		-G1	Grade 1	\$0	\$0
		-G2	Grade 2	\$105	\$135
		-G3	Grade 3	\$207	\$266
		-G4	Grade 4	\$308	\$396
		-G5	Grade 5	\$413	\$531
		-G6	Grade 6	\$515	\$662
		-G7	Grade 7	\$616	\$792
		-G8	Grade 8	\$721	\$927
		-G9	Grade 9	\$847	\$1,089
-G10	Grade 10	\$977	\$1,256		

Quick Looks

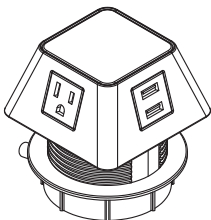


BE-ST-4860R-29

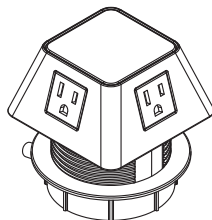


BE-ST-4860R-29-PD

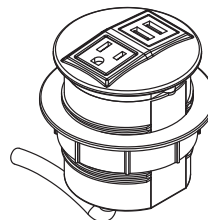
Popular Accessories



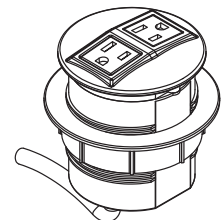
LA-MOH4-220-C120



LA-MOH400-C120



NOD2-110-C120



NOD2-200-C120

Part Number
Configurator

BE – **ST** – **1** **2** – **3**

Required Selections

Component	Code	Description	48" Dia	60" Dia
1 Size	48	48" Diameter	\$1,677	-
	60	60" Diameter	-	\$2,290
2 Shape	D	Round	\$0	\$0
3 Height	26	26" High	\$0	\$0
	29	29" High	\$0	\$0

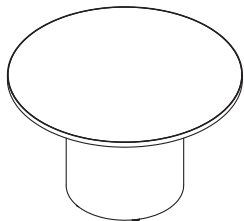
Available Upgrades

Component	Code	Description	48" Dia	60" Dia
4 Power/Data	-PD	Power/Data Cutout	\$53	\$53

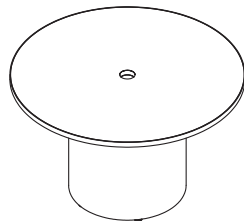
Fabric Selections

Component	Code	Description	48" Dia	60" Dia
5 Fabric Grade	-COM	Customers Own Material	\$0	\$0
		fabric requirements (yards):	3.00	3.50
	-G1	Grade 1	\$0	\$0
	-G2	Grade 2	\$90	\$105
	-G3	Grade 3	\$177	\$207
	-G4	Grade 4	\$264	\$308
	-G5	Grade 5	\$354	\$413
	-G6	Grade 6	\$441	\$515
	-G7	Grade 7	\$528	\$616
	-G8	Grade 8	\$618	\$721
	-G9	Grade 9	\$726	\$847
-G10	Grade 10	\$837	\$977	
-PL	Plastic Laminate	\$395	\$462	

Quick Looks

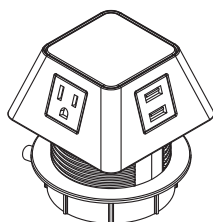


BE-ST-48D-29

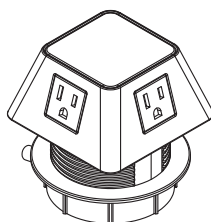


BE-ST-48D-29-PD

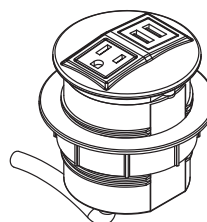
Popular Accessories



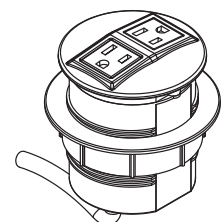
LA-MOH4-220-C120



LA-MOH-400-C120



NOD2-110-C120



NOD2-200-C120

Part Number
Configurator

BE – **ST** – **1** **2** – **3**

Required Selections

Component	Code Description	48" Wide	60" Wide
1 Size	48 48" Wide	\$1,889	-
	60 60" Wide	-	\$2,532
2 Shape	S Square	\$0	\$0
3 Height	26 26" High	\$0	\$0
	29 29" High	\$0	\$0

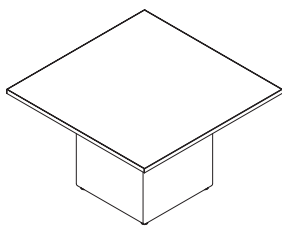
Available Upgrades

Component	Code Description	48" Wide	60" Wide
4 Power/Data	-PD Power/Data Cutout	\$53	\$53

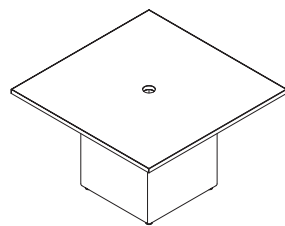
Fabric Selections

Component	Code Description	48" Wide	60" Wide
5 Fabric Grade	-COM Customers Own Material	\$0	\$0
		fabric requirements (yards):	3.25 3.75
	-G1 Grade 1	\$0	\$0
	-G2 Grade 2	\$98	\$113
	-G3 Grade 3	\$192	\$221
	-G4 Grade 4	\$286	\$330
	-G5 Grade 5	\$384	\$443
	-G6 Grade 6	\$478	\$551
	-G7 Grade 7	\$572	\$660
	-G8 Grade 8	\$670	\$773
	-G9 Grade 9	\$787	\$908
-G10 Grade 10	\$907	\$1,046	

Quick Looks

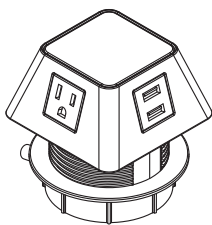


BE-ST-48S-29

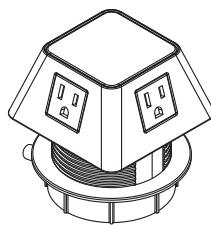


BE-ST-48S-29-PD

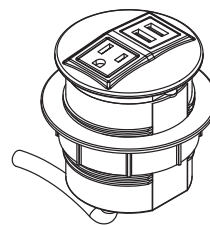
Popular Accessories



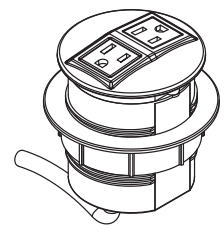
LA-MOH4-220-C120



LA-MOH400-C120



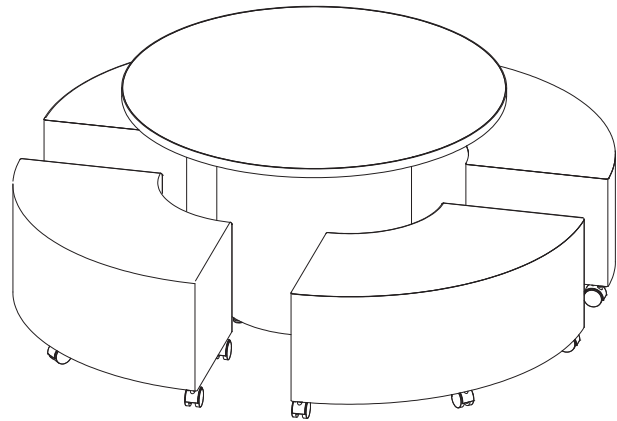
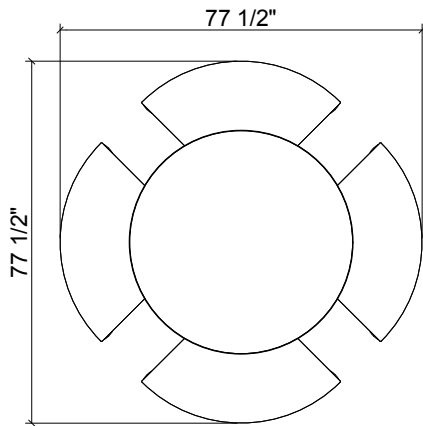
NOD2-110-C120



NOD2-200-C120

BE-001

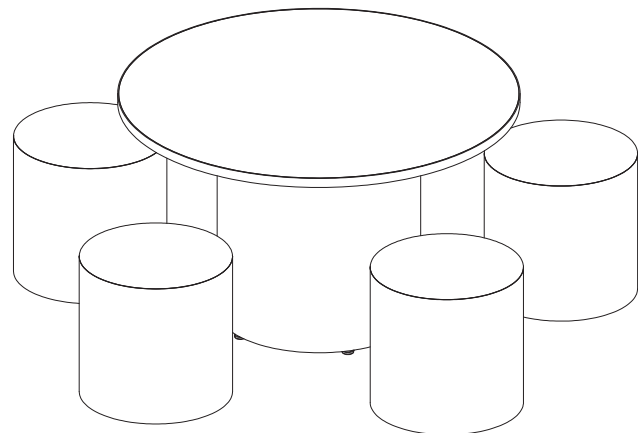
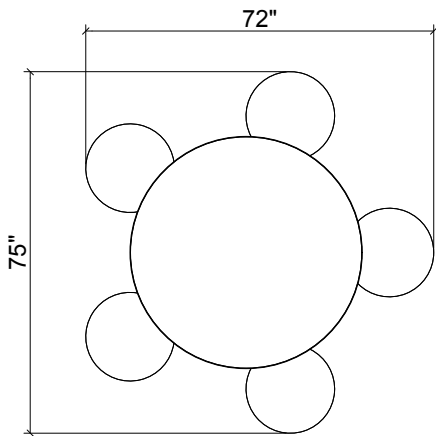
Total List \$7,362



Model Number	Qty	List	Extension
BE-ST-48D-29-G1	1	\$1,677	\$1,677
BE-LG-1824C-18-CA-G1	4	\$1,421	\$5,685

BE-002

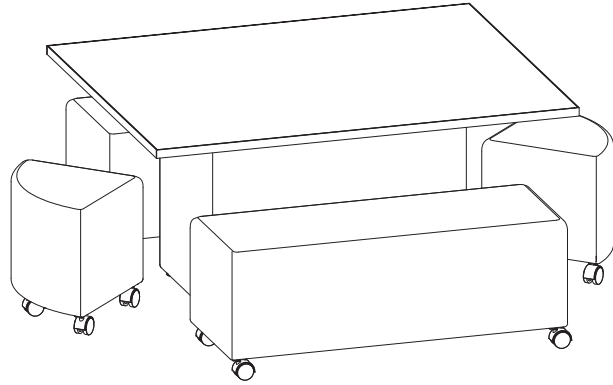
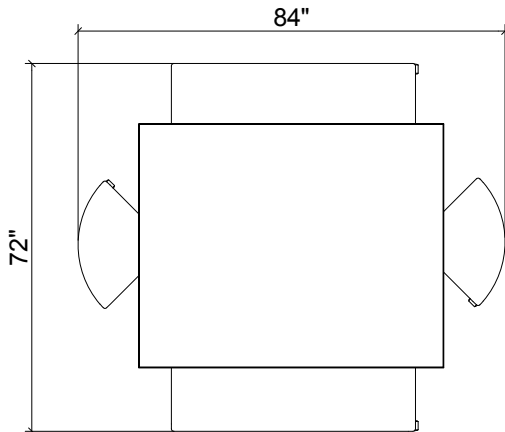
Total List \$6,604



Model Number	Qty	List	Extension
BE-ST-48D-29-G1	1	\$1,677	\$1,677
BE-LG-18D-18-G1	5	\$985	\$4,927

BE-003

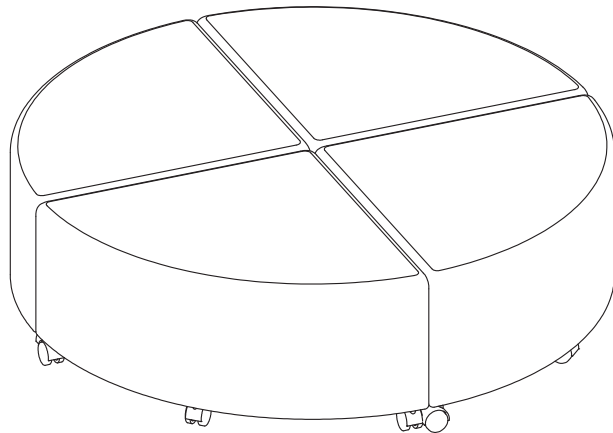
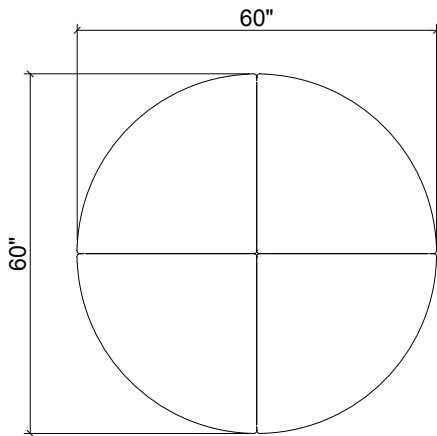
Total List \$7,904



Model Number	Qty	List	Extension
BE-ST-4860R-29-G1	1	\$2,129	\$2,129
BE-LG-1848R-18-CA-G1	2	\$1,585	\$3,171
BE-LG-18P-18-CA-G1	2	\$1,302	\$2,604

BE-004

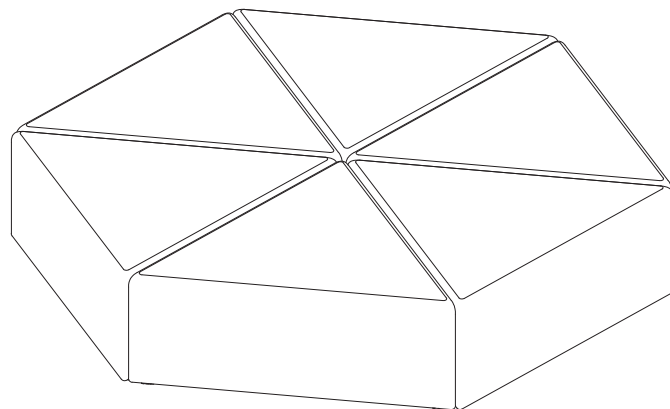
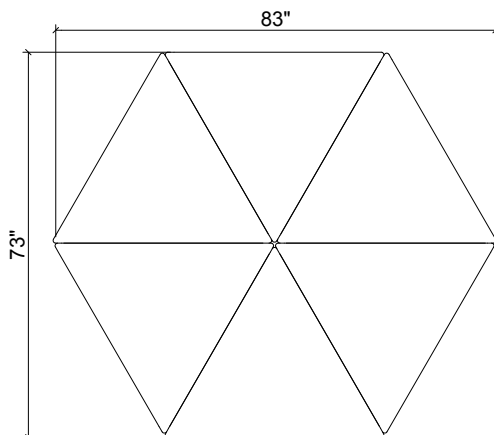
Total List \$6,265



Model Number	Qty	List	Extension
BE-LG-30P-18-CA-G1	4	\$1,566	\$6,265

BE-005

Total List \$7,981



Model Number	Qty	List	Extension
BE-LG-30N-18-G1	6	\$1,330	\$7,981

Canton

Price List

Effective 11/1/2023

Order Information	46
Specifications	47
Upholstered Back	48
Ottomans	49



LIATfurniture.com

694 North Main Street · Troutman, NC 28166
TF 888 440 8205

LIAT 
LOUNGE

Use this checklist to be sure you have all of the necessary information to place your order.

Catalog Number

Use our build guides to create your catalog number.

Fabrics & Textiles

Please specify vendor, pattern name and pattern color. See 12 for a complete list of LIAT Graded-In Fabrics.

Laminate Selection ***Occasional Tables only***

Standard Wilsonart or Formica. Please specify manufacturer, color, finish and model number.

PVC Edge Band ***Occasional Tables only***

See 8 for a complete list of standard LIAT PVC Edge Band options.

Accessories

Contrasting Fabrics

When specifying contrasting upholstery, please clearly indicate which upholstery is to be applied to the seat, back and arms. Use the higher grade for pricing purposes.

Fabric Direction

Please specify any special applications instructions. If no special instructions are provided with the order, LIAT will upholster the fabric at our own discretion, typically "Up The Roll" with any stripes/pattern going from front to back.

COM Order Information

All COM orders must include the following:

- Vendor name, pattern name and pattern color.
- Sample of the fabric attached with the order.
- Any special application instructions.
- Ship prepaid COM to:

LIAT Furniture
ATTN: COM Upholstery
694 North Main Street
Troutman, NC 28166

COM Policy

All yardage requirements for COM are based upon 54" plain non-direction material. Additional yardage may be required based on repeat and matching. All COM requires pre-approval by LIAT. Use the guide at the bottom of this page to estimate the required yardage. LIAT takes no responsibility when additional materials must be ordered. LIAT takes no responsibility for tailoring, wear-ability or application of COM fabrics & textiles. Any warranty claims for COM fabrics & textiles will fall to the original vendor of the material.

COM Fabric Repeat Guide ***Based on 54" wide roll***

Plain Fabric	1-5" Repeat	6-10" Repeat	11-15" Repeat	16-20" Repeat	21-30" Repeat	31-40" Repeat	41"+
0%	10%	15%	20%	25%	30%	40%	50%

Lounge

The lounge frames are constructed of puzzle cut 7/8" thick plytanium with locking dog bone joint construction that is glued and stapled.

The seat uses 8 gauge no sag sinuous springs with 3-1/2" thick high density polyurethane foam.

The backs use 11 gauge no sag sinuous springs with 2-1/2" thick high density polyurethane foam.

The arms are covered with 1-1/2" thick high density polyurethane foam.

Ottomans

The ottoman frames are constructed of puzzle cut 7/8" thick plytanium with locking dog bone joint construction that is glued and stapled.

The ottomans are strapped with 3" Dymetrol elastic webbing and 3-1/2" thick high density polyurethane foam.

Occasional Tables

The occasional tables are constructed of solid wood frames and apron rails* with veneer tops. The legs are 2-1/4" square at the top and taper down to 1-1/4" square on 2 sides for rectangle tables and 3 sides for round tables. The apron rails are 3/4" thick and 3" wide. The tops have a 3/4" solid wood edge band with a beveled edge. Plastic laminate tops are available with an internal edge band.

**Round apron rails are constructed of layered veneers to form the curve.*

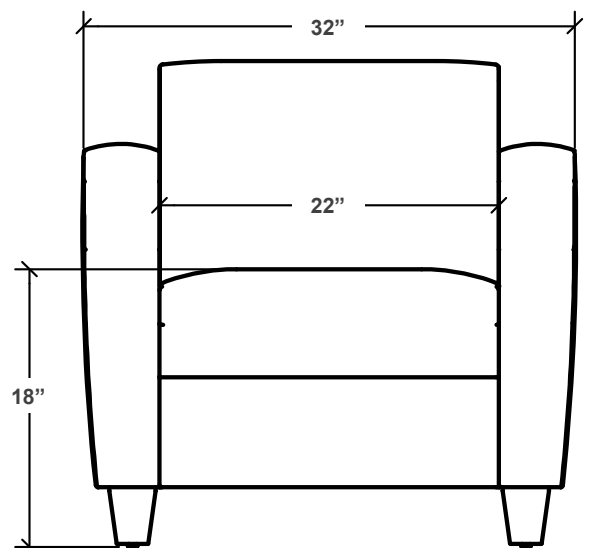
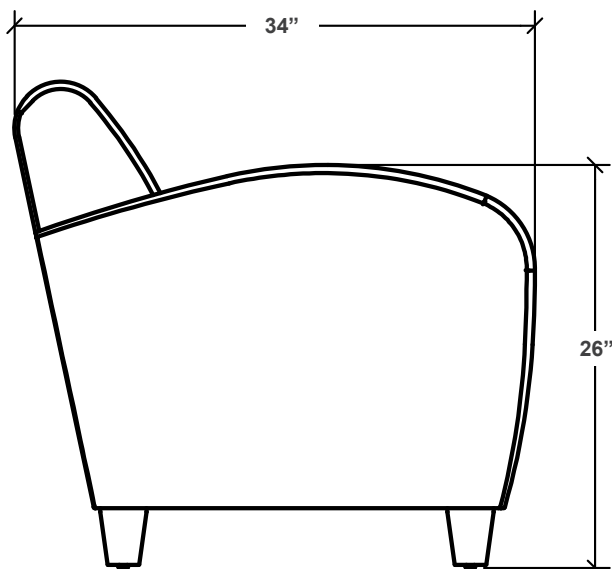
Tablet Arms

Tablet arms are available in laminate with a PVC edge or solid wood. The tablet arms measure 13-1/2" W x 18" L and rotate 360 degrees.

Laminate is the more durable of the two surfaces. If you select wood tablet arms, keep in mind that the wood may show scratches or marking from objects used for various tasks. Tablet arms are not designed to be used for sitting, leaning or supporting heavy objects, etc. Good judgement of use and risk of breakage is the customers responsibility.

Electrical / Power

The standard built-in power upgrade option shall be an all metal flush clamp mounted power and charging solution with 1 power and 2 USB 2.1A charging ports and a 108" cord length, constructed with 12A, 120 VAC spill resistant receptacles. The power unit is finished in a Metallic Silver powder coat.



Part Number
Configurator

CA – **LG** – **1** – **2** – **3** – **4**

Required Selections

Component	Code	Description	32" Wide	55" Wide	78" Wide
1 Depth	34	34" Deep	\$2,438	\$2,992	\$3,568
			shipping weight	88 lbs	124 lbs
2 Width	32	Single-Seat Lounge	\$0	-	-
	55	Two-Seat Lounge	-	\$0	-
	78	Three-Seat Lounge	-	-	\$0
3 Back Style	UB	Upholstered Back	\$0	\$0	\$0
4 Leg Style	ML	Metal Legs	\$0	\$0	\$0

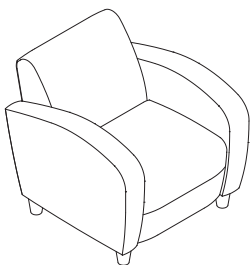
Available Upgrades

Component	Code	Description	32" Wide	55" Wide	78" Wide
5 Casters	-CA	Front Casters w/ Pull	\$251	-	-
6 Power	-PR	Power, Right Side Facing	\$477	\$477	\$477
	-PL	Power, Left Side Facing	\$477	\$477	\$477
	-P2	Power, Both Sides	\$955	\$955	\$955
7 Tablet Arm	-LTR	Laminate Tablet Arm, Right Side Facing	\$431	-	-
	-LTL	Laminate Tablet Arm, Left Side Facing	\$431	-	-
		shipping weight	+ 8 lbs		

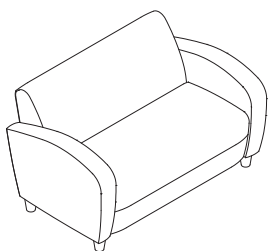
Fabric Selections

Component	Code	Description	32" Wide	55" Wide	78" Wide	
8 Fabric Grade	-COM	Customers Own Material	\$0	\$0	\$0	
			fabric requirements:	5.4 yards	7.3 yards	8.9 yards
	-G1	Grade 1	\$0	\$0	\$0	
	-G2	Grade 2	\$162	\$219	\$267	
	-G3	Grade 3	\$319	\$431	\$525	
	-G4	Grade 4	\$475	\$642	\$783	
	-G5	Grade 5	\$637	\$861	\$1,050	
	-G6	Grade 6	\$794	\$1,073	\$1,308	
	-G7	Grade 7	\$950	\$1,285	\$1,566	
	-G8	Grade 8	\$1,112	\$1,504	\$1,833	
	-G9	Grade 9	\$1,307	\$1,767	\$2,154	
-G10	Grade 10	\$1,507	\$2,037	\$2,483		

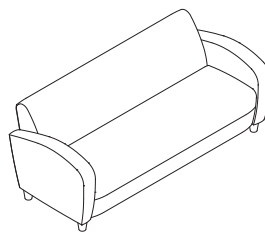
Quick Looks



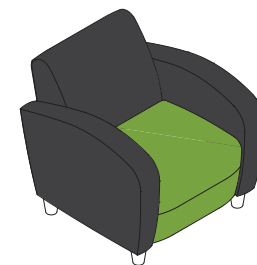
CA-LG-3432-UB-ML



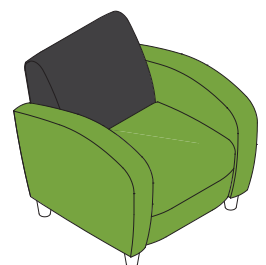
CA-LG-3455-UB-ML



CA-LG-3478-UB-ML



Arms & Back 1 | Seat 2



Back 1 | Seat & Arms 2

Fabric Combination Options

Part Number
Configurator

CA – **LG** – **1** **2** – **3** – **4**

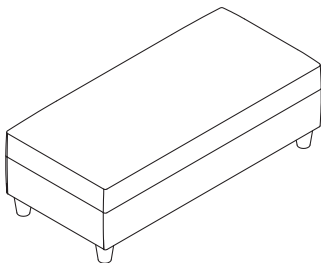
Required Selections

Component	Code	Description	48" Wide	56" Wide
1 Depth	22	22" Deep	\$1,726	\$1,822
		shipping weight	65 lbs	76 lbs
2 Width	48	48" Wide	\$0	-
	56	56" Wide	-	\$0
3 Back Style	NB	No Back	\$0	\$0
4 Leg Style	ML	Metal Legs	\$0	\$0

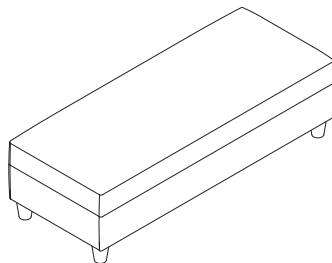
Fabric Selections

Component	Code	Description	48" Wide	56" Wide
5 Fabric Grade	-COM	Customers Own Material	\$0	\$0
		fabric requirements:	2.9 yards	3 yards
	-G1	Grade 1	\$0	\$0
	-G2	Grade 2	\$87	\$90
	-G3	Grade 3	\$171	\$177
	-G4	Grade 4	\$255	\$264
	-G5	Grade 5	\$342	\$354
	-G6	Grade 6	\$426	\$441
	-G7	Grade 7	\$510	\$528
	-G8	Grade 8	\$597	\$618
	-G9	Grade 9	\$702	\$726
	-G10	Grade 10	\$809	\$837

Quick Looks



CA-LG-2248-NB-ML



CA-LG-2256-NB-ML

Part Number
Configurator

CA – **LG** – **1** **2** – **3** – **4**

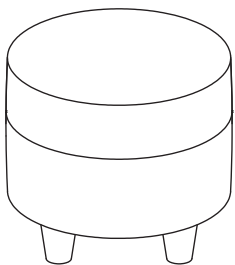
Required Selections

Component	Code	Description	18"	22"	32"	36"
1 Size	18	18"	\$0	-	-	-
	22	22"	-	\$0	-	-
	32	32"	-	-	\$0	-
	36	36"	-	-	-	\$0
2 Shape	D	Round	\$1,380	\$1,637	\$1,939	\$2,076
			shipping weight	28 lbs	31 lbs	43 lbs
3 Back Style	NB	No Back	\$0	\$0	\$0	\$0
4 Leg Style	ML	Metal Legs	\$0	\$0	\$0	\$0

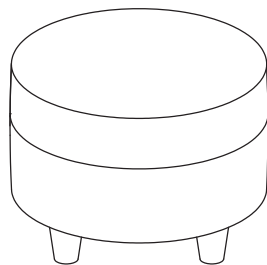
Fabric Selections

Component	Code	Description	18"	22"	32"	36"	
5 Fabric Grade	-COM	Customers Own Material	\$0	\$0	\$0	\$0	
			fabric requirements:	1 yards	2.3 yards	3.2 yards	3.3 yards
	-G1	Grade 1	\$0	\$0	\$0	\$0	
	-G2	Grade 2	\$30	\$69	\$96	\$99	
	-G3	Grade 3	\$59	\$136	\$189	\$195	
	-G4	Grade 4	\$88	\$202	\$282	\$290	
	-G5	Grade 5	\$118	\$271	\$378	\$389	
	-G6	Grade 6	\$147	\$338	\$470	\$485	
	-G7	Grade 7	\$176	\$405	\$563	\$581	
	-G8	Grade 8	\$206	\$474	\$659	\$680	
	-G9	Grade 9	\$242	\$557	\$774	\$799	
-G10	Grade 10	\$279	\$642	\$893	\$921		

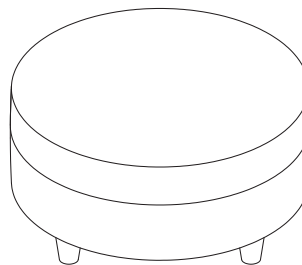
Quick Looks



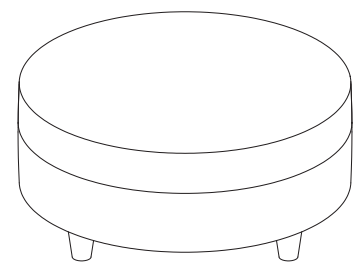
CA-LG-18D-NB-ML



CA-LG-22D-NB-ML



CA-LG-32D-NB-ML



CA-LG-36D-NB-ML

Part Number
Configurator

CA – **LG** – **1** **2** – **3** – **4**

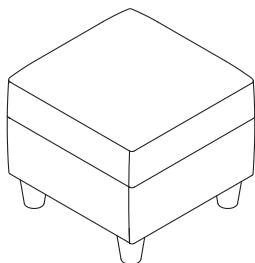
Required Selections

Component	Code	Description	18"	22"	32"	36"
1 Size	18	18"	\$0	-	-	-
	22	22"	-	\$0	-	-
	32	32"	-	-	\$0	-
	36	36"	-	-	-	\$0
2 Shape	S	Square	\$1,325	\$1,421	\$1,686	\$1,756
			shipping weight	28 lbs	31 lbs	43 lbs
3 Back Style	NB	No Back	\$0	\$0	\$0	\$0
4 Leg Style	ML	Metal Legs	\$0	\$0	\$0	\$0

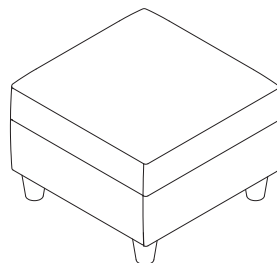
Fabric Selections

Component	Code	Description	18"	22"	32"	36"	
5 Fabric Grade	-COM	Customers Own Material	\$0	\$0	\$0	\$0	
			fabric requirements:	1.5 yards	1.6 yards	3.3 yards	3.7 yards
	-G1	Grade 1	\$0	\$0	\$0	\$0	
	-G2	Grade 2	\$45	\$48	\$99	\$111	
	-G3	Grade 3	\$89	\$94	\$195	\$218	
	-G4	Grade 4	\$132	\$141	\$290	\$326	
	-G5	Grade 5	\$177	\$189	\$389	\$437	
	-G6	Grade 6	\$221	\$235	\$485	\$544	
	-G7	Grade 7	\$264	\$282	\$581	\$651	
	-G8	Grade 8	\$309	\$330	\$680	\$762	
	-G9	Grade 9	\$363	\$387	\$799	\$895	
-G10	Grade 10	\$419	\$446	\$921	\$1,032		

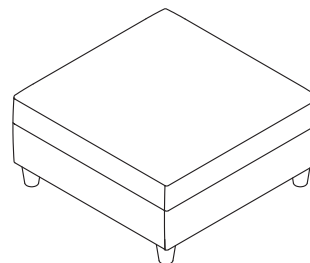
Quick Looks



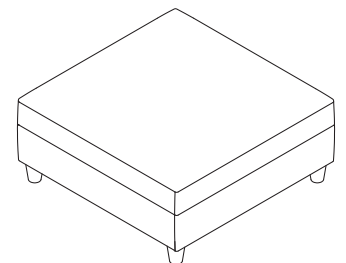
CA-LG-18S-NB-ML



CA-LG-22S-NB-ML



CA-LG-32S-NB-ML



CA-LG-36S-NB-ML

Haywood

Price List

Effective 11/1/2023

Order Information	53
Specifications	54
Upholstered Back	55
Ottomans	57
Occasional Tables	60
Typicals	64



LIATfurniture.com

694 North Main Street · Troutman, NC 28166
TF 888 440 8205

LIAT 
LOUNGE

Use this checklist to be sure you have all of the necessary information to place your order.

Catalog Number

Use our build guides to create your catalog number.

Fabrics & Textiles

Please specify vendor, pattern name and pattern color. See page 12 for a complete list of LIAT Graded-In Fabrics.

Laminate Selection ***Occasional Tables only***

Standard Wilsonart or Formica. Please specify manufacturer, color, finish and model number.

PVC Edge Band ***Occasional Tables only***

See page 8 for a complete list of standard LIAT PVC Edge Band options.

Accessories

Contrasting Fabrics

When specifying contrasting upholstery, please clearly indicate which upholstery is to be applied to the seat, back and arms. Use the higher grade for pricing purposes.

Fabric Direction

Please specify any special applications instructions. If no special instructions are provided with the order, LIAT will upholster the fabric at our own discretion, typically "Up The Roll" with any stripes/pattern going from front to back.

COM Order Information

All COM orders must include the following:

- Vendor name, pattern name and pattern color.
- Sample of the fabric attached with the order.
- Any special application instructions.
- Ship prepaid COM to:

LIAT Furniture
ATTN: COM Upholstery
694 North Main Street
Troutman, NC 28166

COM Policy

All yardage requirements for COM are based upon 54" plain non-direction material. Additional yardage may be required based on repeat and matching. All COM requires pre-approval by LIAT. Use the guide at the bottom of this page to estimate the required yardage. LIAT takes no responsibility when additional materials must be ordered. LIAT takes no responsibility for tailoring, wear-ability or application of COM fabrics & textiles. Any warranty claims for COM fabrics & textiles will fall to the original vendor of the material.

COM Fabric Repeat Guide ***Based on 54" wide roll***

Plain Fabric	1-5" Repeat	6-10" Repeat	11-15" Repeat	16-20" Repeat	21-30" Repeat	31-40" Repeat	41"+
0%	10%	15%	20%	25%	30%	40%	50%

Lounge

The lounge frames are constructed of puzzle cut 7/8" thick plytanium with locking dog bone joint construction that is glued and stapled.

The seat uses 8 gauge no sag sinuous springs with 4-1/2" thick high density polyurethane foam.

The backs use 11 gauge no sag sinuous springs with 2-1/2" thick high density polyurethane foam.

The arms are covered with 1-1/2" thick high density polyurethane foam.

Ottomans

The ottoman frames are constructed of puzzle cut 7/8" thick plytanium with locking dog bone joint construction that is glued and stapled.

The ottomans are strapped with 3" Dymetrol elastic webbing and 4-1/2" thick high density polyurethane foam.

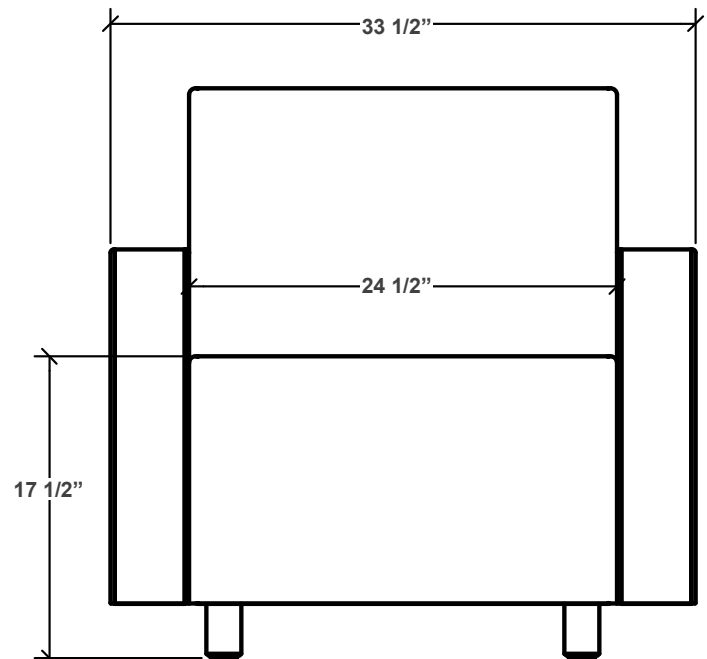
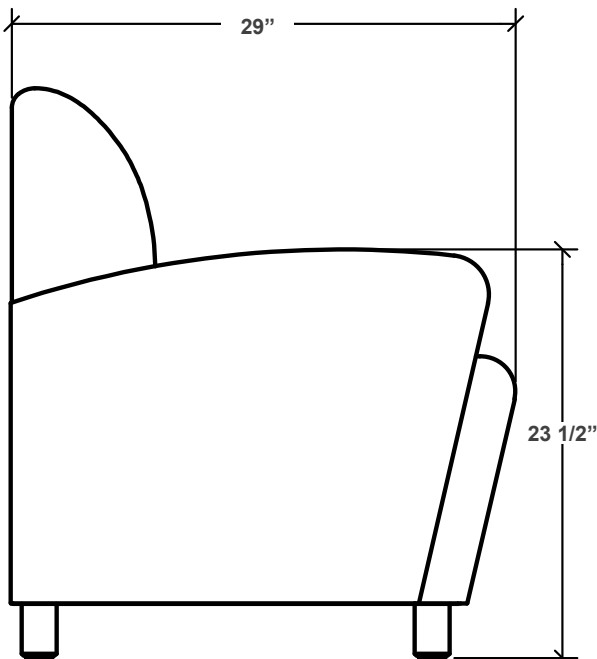
Occasional Tables

The occasional table frames are constructed of puzzle cut 7/8" thick plytanium with locking dog bone joint construction that is glued and stapled.

The tops are constructed of 1-1/8" thick particle board core with a .050" thick high pressure laminate top surface, a .020" thick phenolic backing sheet, and a 3mm PVC edge band.

Electrical / Power

The standard built-in power upgrade option shall be an all metal screw mounted flush face power and charging solution with 1 power and 2 USB 2.1A charging ports with a 72" cord length, constructed with 12A, 120 VAC spill resistant receptacles. The unit shall be finished in a Metallic Silver powder coat.



Part Number
Configurator

HA – **LG** – **1** **2** **3** – **4** – **5**

Required Selections

Component	Code	Description	25" Wide	22" Degree	45" Degree
1 Depth	30	30" Deep	\$1,882	\$2,108	\$2,108
			shipping weight	55 lbs	55 lbs
2 Width/Angle	25	25" Wide	\$0	-	-
	22	22 Degree	-	\$0	-
	45	45 Degree	-	-	\$0
3 Shape	S	Straight	\$0	-	-
	IC	Inner Curve	-	\$0	\$0
	OC	Outer Curve	-	\$0	\$0
4 Back Style	UB	Upholstered Back	\$0	\$0	\$0
5 Leg Style	ML	Metal Legs	\$0	\$0	\$0
6 Arms	-NA	No Arms	\$0	\$0	\$0
	-AL	Arm, Left Side Facing	\$348	\$348	\$348
	-AR	Arm, Right Side Facing	\$348	\$348	\$348
	-A2	Arms, Both Sides	\$697	\$697	\$697
			shipping weight	+ 10 lbs per arm	

Available Upgrades

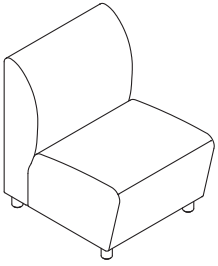
Component	Code	Description	25" Wide	22" Degree	45" Degree
7 Power	-PL	Power, Left Side Facing	\$492	\$492	\$492
	-PR	Power, Right Side Facing	\$492	\$492	\$492
	-P2	Power, Both Sides	\$984	\$984	\$984

Fabric Selections

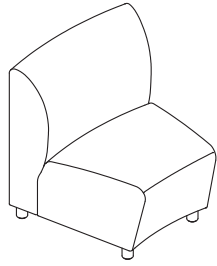
Component	Code	Description	No Arms	1 Arms	2 Arms		
8 Fabric Grade	-COM	Customers Own Material	\$0	\$0	\$0		
				fabric requirements:	3.5	4.5	5.5
	-G1	Grade 1	\$0	\$0	\$0		
	-G2	Grade 2	\$105	\$135	\$165		
	-G3	Grade 3	\$207	\$266	\$325		
	-G4	Grade 4	\$308	\$396	\$484		
	-G5	Grade 5	\$413	\$531	\$649		
	-G6	Grade 6	\$515	\$662	\$809		
	-G7	Grade 7	\$616	\$792	\$968		
	-G8	Grade 8	\$721	\$927	\$1,133		
	-G9	Grade 9	\$847	\$1,029	\$1,331		
-G10	Grade 10	\$977	\$1,186	\$1,535			

NOTE: Patterned fabric not recommended on curved seat fronts.

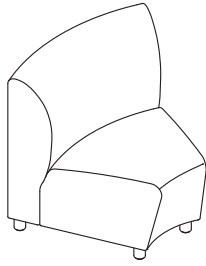
Quick Looks



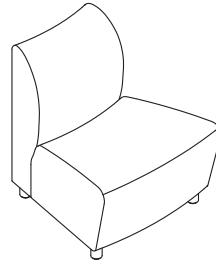
HA-LG-3025S-UB-ML-NA



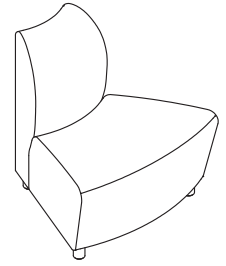
HA-LG-3022IC-UB-ML-NA



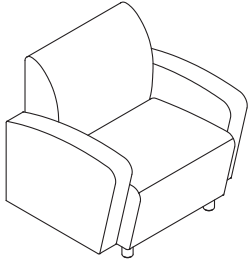
HA-LG-3045IC-UB-ML-NA



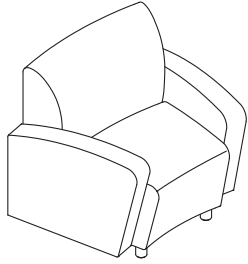
HA-LG-3022OC-UB-ML-NA



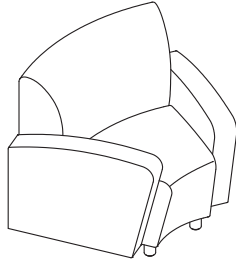
HA-LG-3045OC-UB-ML-NA



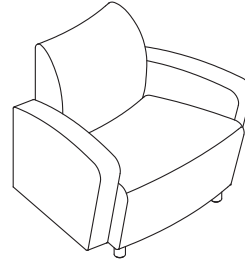
HA-LG-3025S-UB-ML-2A



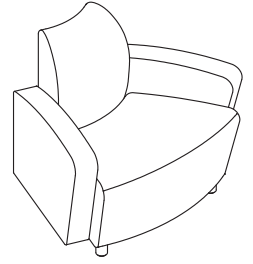
HA-LG-3022IC-UB-ML-2A



HA-LG-3045IC-UB-ML-2A

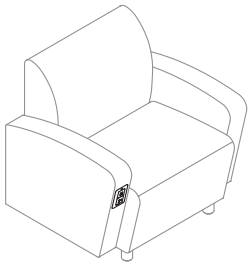


HA-LG-3022OC-UB-ML-2A

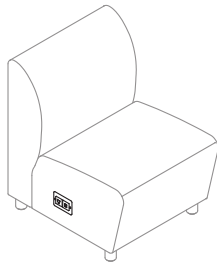


HA-LG-3045OC-UB-ML-2A

Power Locations

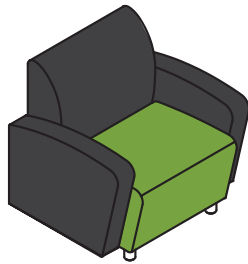


With Arms

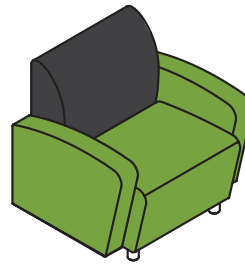


Without Arms

Fabric Combination Options



Arms & Back 1 | Seat 2



Back 1 | Seat & Arms 2



Main 1 | Seat Top 2

Part Number
Configurator

HA – **LG** – **1** – **2** – **3** – **4** – **5**

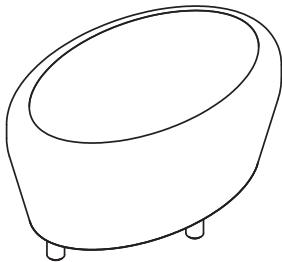
Required Selections

Component	Code	Description	36" Wide	42" Wide
1 Depth	24	24" Deep	\$1,430	\$1,559
			shipping weight	30 lbs
				32 lbs
2 Width	36	36" Wide	\$0	-
	42	42" Wide	-	\$0
3 Shape	V	Oval	\$0	\$0
4 Back Style	NB	No Back	\$0	\$0
5 Leg Style	ML	Metal Legs	\$0	\$0

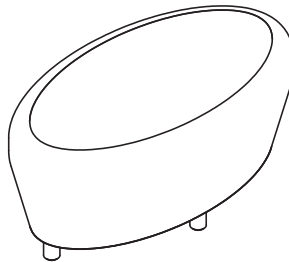
Fabric Selections

Component	Code	Description	36" Wide	42" Wide
6 Fabric Grade	-COM	Customers Own Material	\$0	\$0
			fabric requirements:	3
				3.5
	-G1	Grade 1	\$0	\$0
	-G2	Grade 2	\$90	\$105
	-G3	Grade 3	\$177	\$207
	-G4	Grade 4	\$264	\$308
	-G5	Grade 5	\$354	\$413
	-G6	Grade 6	\$441	\$515
	-G7	Grade 7	\$528	\$616
	-G8	Grade 8	\$618	\$721
	-G9	Grade 9	\$726	\$847
	-G10	Grade 10	\$837	\$977

Quick Looks



HA-LG-2436V-NB-ML



HA-LG-2442V-NB-ML

NOTE: Patterned fabric not recommended.

NOTE: Seam location may vary depending on selected fabric.

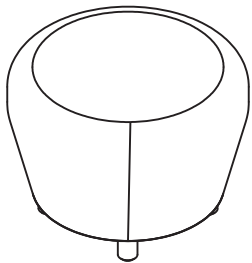
Part Number
Configurator

HA - **LG** - **1** **2** **3** - **4**

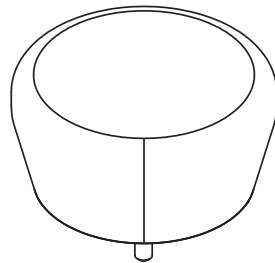
Required Selections						
Component	Code	Description	24"	30"	36"	
1 Size	24	24"	\$0	-	-	
	30	30"	-	\$0	-	
	36	36"	-	-	\$0	
2 Shape	D	Round	\$1,217	\$1,382	\$1,532	
			shipping weight	30 lbs	40 lbs	45 lbs
3 Back Style	NB	No Back	\$0	\$0	\$0	
4 Leg Style	ML	Metal Legs	\$0	\$0	\$0	

Fabric Selections							
Component	Code	Description	24"	30"	36"		
5 Fabric Grade	-COM	Customers Own Material	\$0	\$0	\$0		
			fabric requirements:	2.5	3.2	3.3	
	-G1	Grade 1	\$0	\$0	\$0		
	-G2	Grade 2	\$75	\$96	\$99		
	-G3	Grade 3	\$148	\$189	\$195		
	-G4	Grade 4	\$220	\$282	\$290		
	-G5	Grade 5	\$295	\$378	\$389		
	-G6	Grade 6	\$368	\$470	\$485		
	-G7	Grade 7	\$440	\$563	\$581		
	-G8	Grade 8	\$515	\$659	\$680		
	-G9	Grade 9	\$605	\$774	\$799		
-G10	Grade 10	\$698	\$893	\$921			

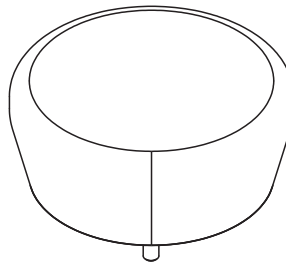
Quick Looks



HA-LG-24D-NB-ML



HA-LG-30D-NB-ML



HA-LG-36D-NB-ML

NOTE: Patterned fabric not recommended.

Part Number
Configurator

HA - LG - 1 2 3 - 4

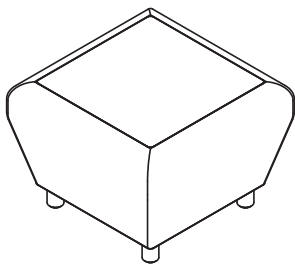
Required Selections

Component	Code	Description	24"	30"	36"
1 Size	24	24"	\$0	-	-
	30	30"	-	\$0	-
	36	36"	-	-	\$0
2 Shape	S	Square	\$1,241	\$1,394	\$1,540
			<small>shipping weight</small>	<small>30 lbs</small>	<small>35 lbs</small>
3 Back Style	NB	No Back	\$0	\$0	\$0
4 Leg Style	ML	Metal Legs	\$0	\$0	\$0

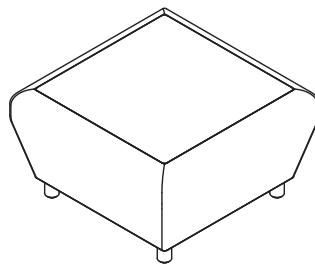
Fabric Selections

Component	Code	Description	24"	30"	36"	
5 Fabric Grade	-COM	Customers Own Material	\$0	\$0	\$0	
			<small>fabric requirements:</small>	<small>2.5</small>	<small>3</small>	<small>3.4</small>
		-G1	Grade 1	\$0	\$0	\$0
		-G2	Grade 2	\$75	\$90	\$102
		-G3	Grade 3	\$148	\$177	\$201
		-G4	Grade 4	\$220	\$264	\$299
		-G5	Grade 5	\$295	\$354	\$401
		-G6	Grade 6	\$368	\$441	\$500
		-G7	Grade 7	\$440	\$528	\$598
		-G8	Grade 8	\$515	\$618	\$700
		-G9	Grade 9	\$605	\$726	\$823
	-G10	Grade 10	\$698	\$837	\$949	

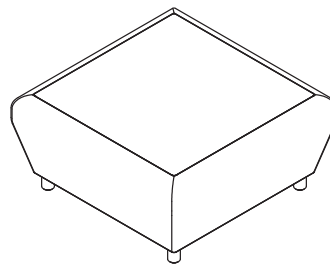
Quick Looks



HA-LG-24S-NB-ML



HA-LG-30S-NB-ML



HA-LG-36S-NB-ML

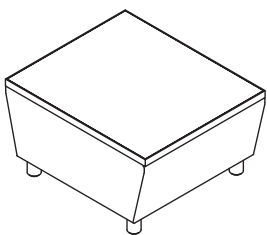
Part Number
Configurator

HA – **OT** – **1** **2** **3** – **4**

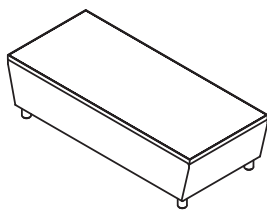
Required Selections					
Component	Code	Description	24" Wide	22 Degree	45 Degree
1 Single/Double	S	Single	\$1,359	\$1,467	\$1,516
	D	Double	\$2,016	\$2,113	-
		shipping weight (single)	40 lbs	40 lbs	40 lbs
		shipping weight (double)	75lbs	75lbs	
2 Width	24	24" Wide	\$0	-	-
	22	22 Degree	-	\$0	-
	45	45 Degree	-	-	\$0
3 Shape	S	Straight	\$0	-	-
	W	Wedge	-	\$0	\$0
4 Leg Style	ML	Metal Legs	\$0	\$0	\$0

Fabric Selections				
Component	Code	Description	Single	Double
5 Fabric Grade	-COM	Customers Own Material	\$0	\$0
		fabric requirements:	1	2
	-G1	Grade 1	\$0	\$0
	-G2	Grade 2	\$30	\$60
	-G3	Grade 3	\$59	\$118
	-G4	Grade 4	\$88	\$176
	-G5	Grade 5	\$118	\$236
	-G6	Grade 6	\$147	\$294
	-G7	Grade 7	\$176	\$352
	-G8	Grade 8	\$206	\$412
	-G9	Grade 9	\$242	\$484
-G10	Grade 10	\$279	\$558	

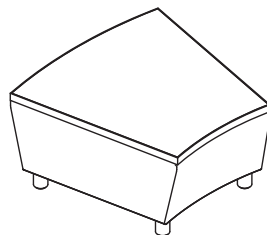
Quick Looks



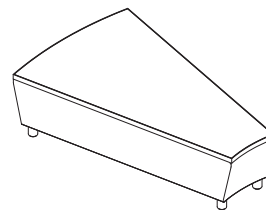
HA-OT-S24S-ML



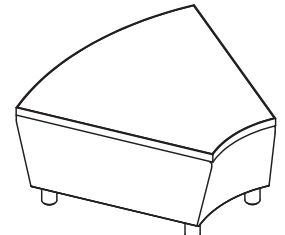
HA-OT-D24S-ML



HA-OT-S22W-ML

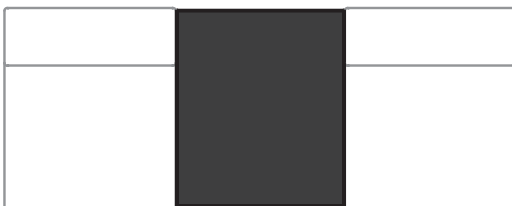


HA-OT-D22W-ML

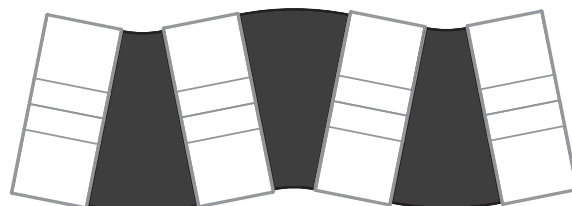


HA-OT-S45W-ML

Quick Tips



Use single depth tables for single rows of lounge



Use double depth tables for back-to-back lounge

Part Number
Configurator

HA – **OT** – **1** **2** **3** – **4**

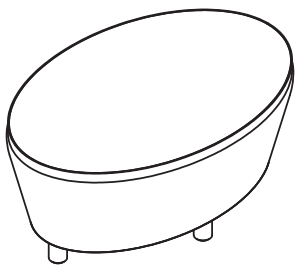
Required Selections

Component	Code	Description	36" Wide	42" Wide
1 Depth	24	24" Deep	\$1,473	\$1,586
			shipping weight	
2 Width	36	36" Wide	\$0	-
	42	42" Wide	-	\$0
3 Shape	V	Oval	\$0	\$0
4 Leg Style	ML	Metal Legs	\$0	\$0

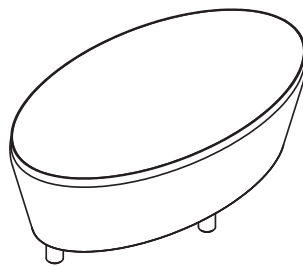
Fabric Selections

Component	Code	Description	36" Wide	42" Wide	
5 Fabric Grade	-COM	Customers Own Material	\$0	\$0	
	fabric requirements:			1.5	1.75
	-G1	Grade 1	\$0	\$0	
	-G2	Grade 2	\$45	\$53	
	-G3	Grade 3	\$89	\$103	
	-G4	Grade 4	\$132	\$154	
	-G5	Grade 5	\$177	\$207	
	-G6	Grade 6	\$221	\$257	
	-G7	Grade 7	\$264	\$308	
	-G8	Grade 8	\$309	\$361	
	-G9	Grade 9	\$363	\$424	
-G10	Grade 10	\$419	\$488		

Quick Looks



HA-OT-2436V-ML



HA-OT-2442V-ML

NOTE: Patterned fabric not recommended.

NOTE: Seam location may vary depending on selected fabric.

Part Number
Configurator

HA – **OT** – **1** **2** **3** – **4**

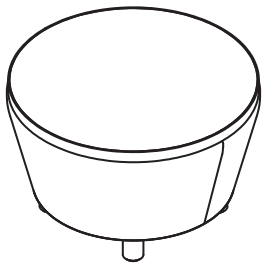
Required Selections

Component	Code	Description	24"	30"	36"
1 Size	24	24"	\$0	-	-
	30	30"	-	\$0	-
	36	36"	-	-	\$0
2 Shape	D	Round	\$1,427	\$1,549	\$1,770
			shipping weight	45 lbs	55 lbs
3 Leg Style	ML	Metal Legs	\$0	\$0	\$0

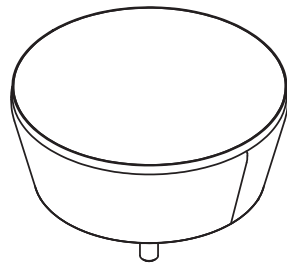
Fabric Selections

Component	Code	Description	24"	30"	36"	
4 Fabric Grade	-COM	Customers Own Material	\$0	\$0	\$0	
			fabric requirements:	2	2.5	2.75
	-G1	Grade 1	\$0	\$0	\$0	
	-G2	Grade 2	\$60	\$75	\$83	
	-G3	Grade 3	\$118	\$148	\$162	
	-G4	Grade 4	\$176	\$220	\$242	
	-G5	Grade 5	\$236	\$295	\$325	
	-G6	Grade 6	\$294	\$368	\$404	
	-G7	Grade 7	\$352	\$440	\$484	
	-G8	Grade 8	\$412	\$515	\$567	
	-G9	Grade 9	\$484	\$605	\$666	
-G10	Grade 10	\$558	\$698	\$767		

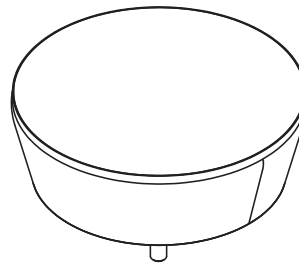
Quick Looks



HA-OT-24D-ML



HA-OT-30D-ML



HA-OT-36D-ML

NOTE: Patterned fabric not recommended.

Part Number
Configurator

HA – **OT** – **1** **2** **3** – **4**

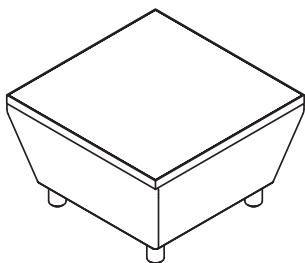
Required Selections

Component	Code	Description	24"	30"	36"
1 Size	24	24"	\$0	-	-
	30	30"	-	\$0	-
	36	36"	-	-	\$0
2 Shape	S	Square	\$1,452	\$1,574	\$1,746
			shipping weight	45 lbs	50 lbs
3 Leg Style	ML	Metal Legs	\$0	\$0	\$0

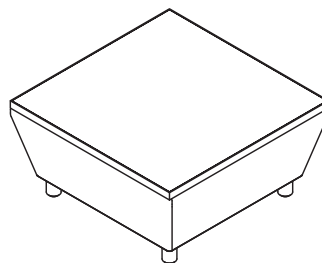
Fabric Selections

Component	Code	Description	24"	30"	36"	
4 Fabric Grade	-COM	Customers Own Material	\$0	\$0	\$0	
			fabric requirements:	2	2.5	2.75
	-G1	Grade 1	\$0	\$0	\$0	
	-G2	Grade 2	\$60	\$75	\$83	
	-G3	Grade 3	\$118	\$148	\$162	
	-G4	Grade 4	\$176	\$220	\$242	
	-G5	Grade 5	\$236	\$295	\$325	
	-G6	Grade 6	\$294	\$368	\$404	
	-G7	Grade 7	\$352	\$440	\$484	
	-G8	Grade 8	\$412	\$515	\$567	
	-G9	Grade 9	\$484	\$605	\$666	
-G10	Grade 10	\$558	\$698	\$767		

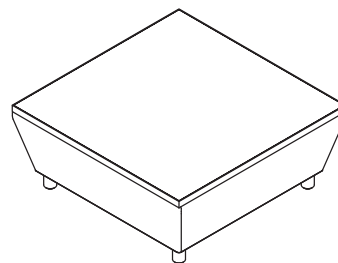
Quick Looks



HA-OT-24S-ML



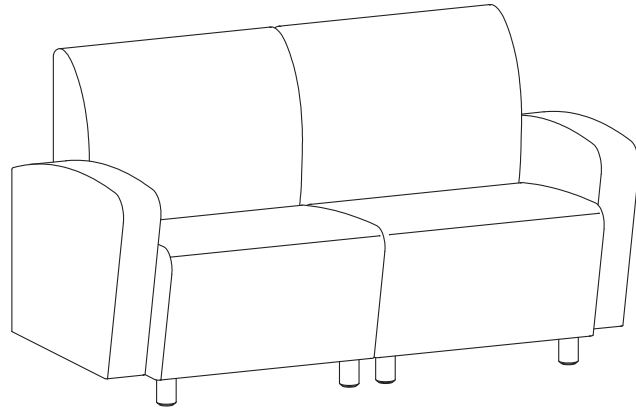
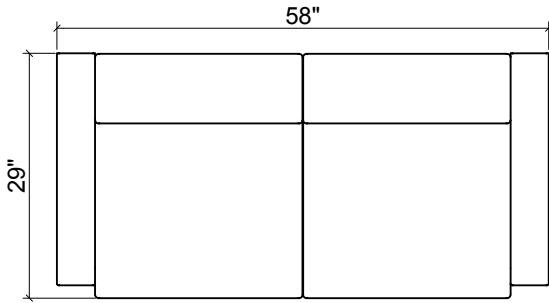
HA-OT-30S-ML



HA-OT-36S-ML

HA-001

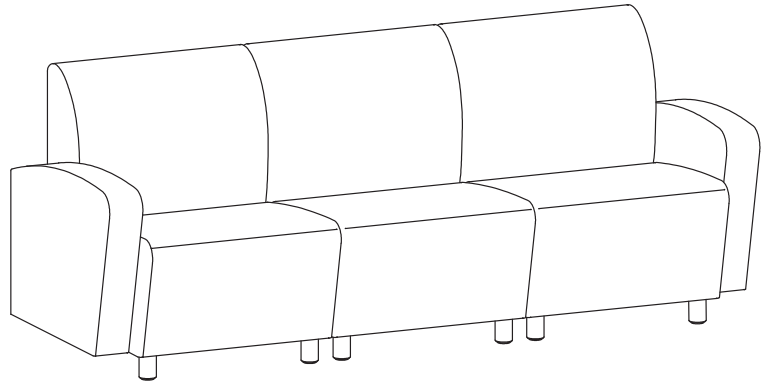
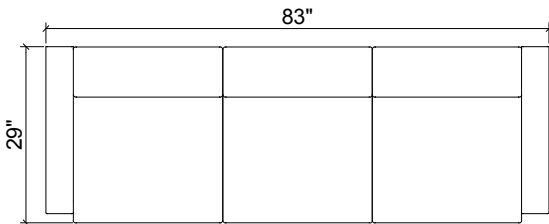
Total List \$4,112



Model Number	Qty	List	Extension
HA-LG-3025S-UB-ML-AL-G1	1	\$2,230	\$2,230
HA-LG-3025S-UB-ML-AR-G1	1	\$2,230	\$2,230

HA-002

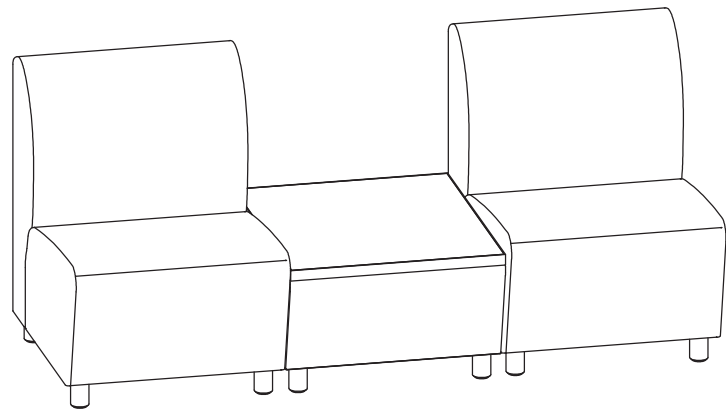
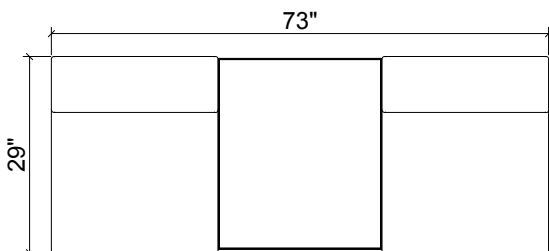
Total List \$5,994



Model Number	Qty	List	Extension
HA-LG-3025S-UB-ML-AL-G1	1	\$2,230	\$2,230
HA-LG-3025S-UB-ML-NA-G1	1	\$1,882	\$1,882
HA-LG-3025S-UB-ML-AR-G1	1	\$2,230	\$2,230

HA-003

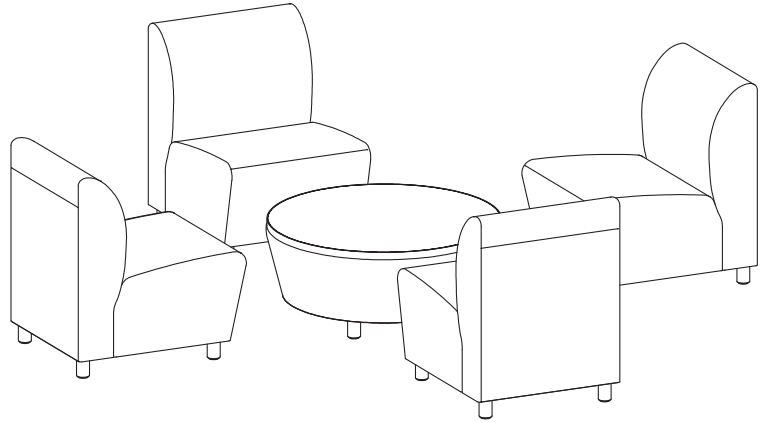
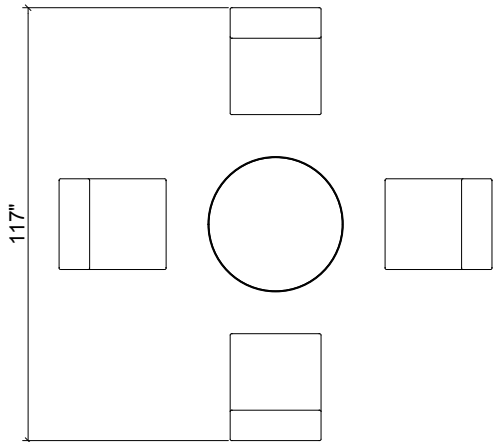
Total List \$5,123



Model Number	Qty	List	Extension
HA-LG-3025S-UB-ML-NA-G1	2	\$1,882	\$3,764
HA-OT-24S-ML-G1	1	\$1,452	\$1,452

HA-004

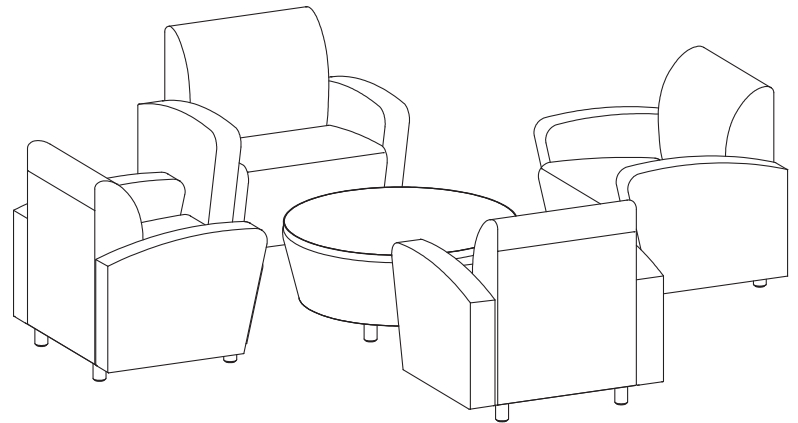
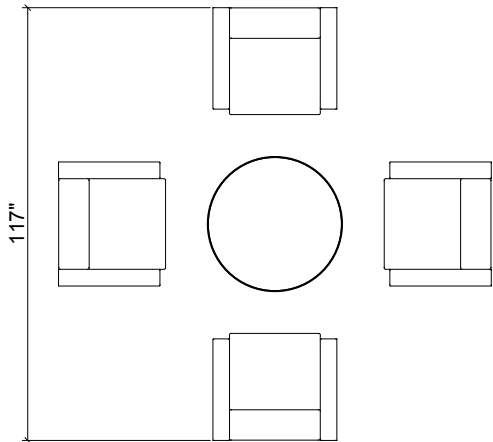
Total List \$9,297



Model Number	Qty	List	Extension
HA-LG-3025S-UB-ML-NA-G1	4	\$1,882	\$7,527
HA-OT-36D-ML-G1	1	\$1,770	\$1,770

HA-005

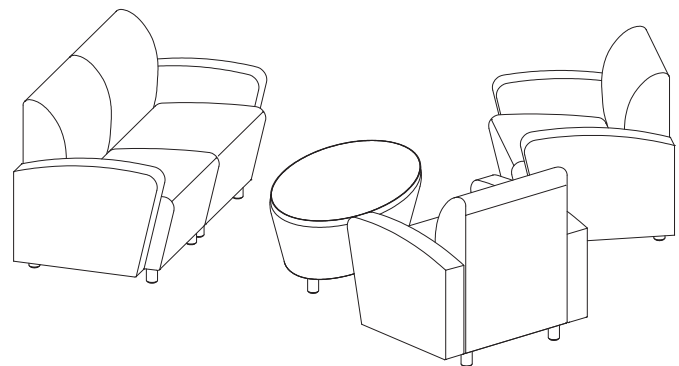
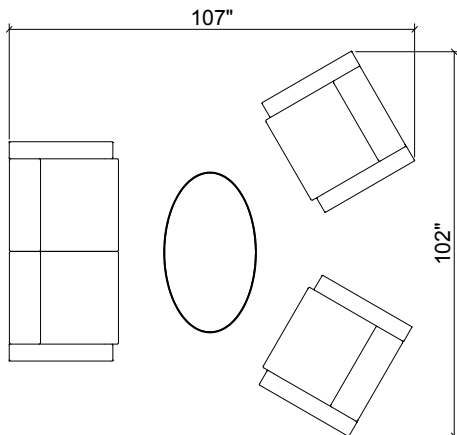
Total List \$12,086



Model Number	Qty	List	Extension
HA-LG-3025S-UB-ML-A2-G1	4	\$2,579	\$10,316
HA-OT-36D-ML-G1	1	\$1,770	\$1,770

HA-006

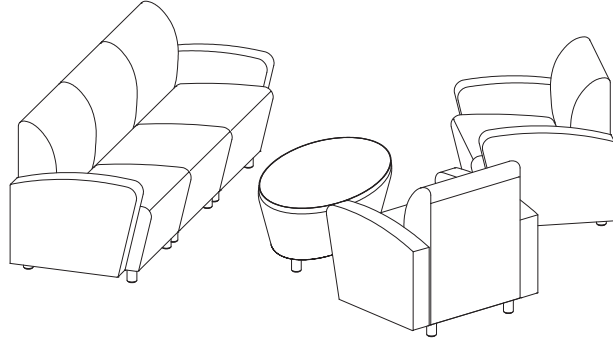
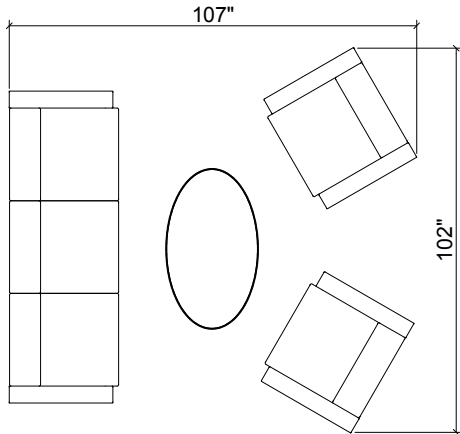
Total List \$11,204



Model Number	Qty	List	Extension
HA-LG-3025S-UB-ML-A2-G1	2	\$2,579	\$5,158
HA-LG-3025S-UB-ML-AL-G1	1	\$2,230	\$2,230
HA-LG-3025S-UB-ML-AR-G1	1	\$2,230	\$2,230
HA-OT-2442V-ML-G1	1	\$1,586	\$1,586

HA-007

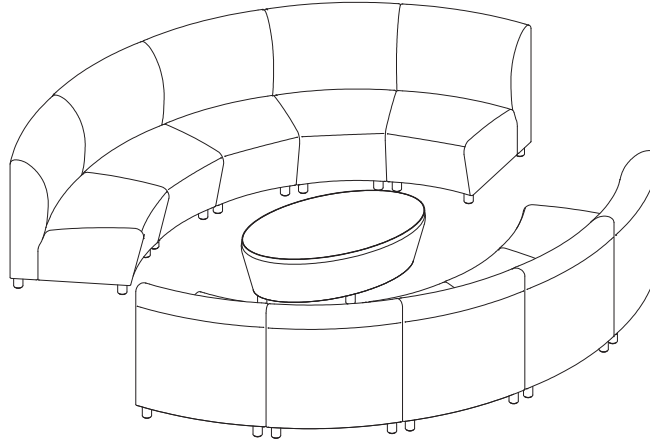
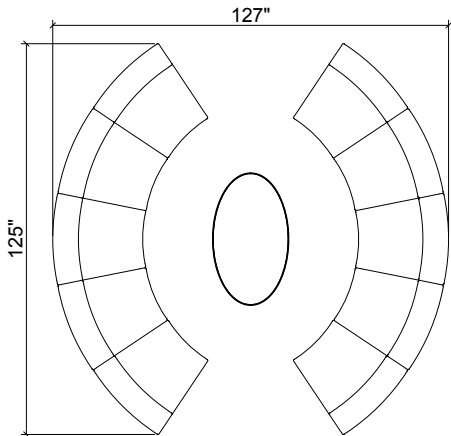
Total List \$13,086



Model Number	Qty	List	Extension
HA-LG-3025S-UB-ML-A2-G1	2	\$2,579	\$5,158
HA-LG-3025S-UB-ML-AL-G1	1	\$2,230	\$2,230
HA-LG-3025S-UB-ML-NA-G1	1	\$1,882	\$1,882
HA-LG-3025S-UB-ML-AR-G1	1	\$2,230	\$2,230
HA-OT-2442V-ML-G1	1	\$1,586	\$1,586

HA-008

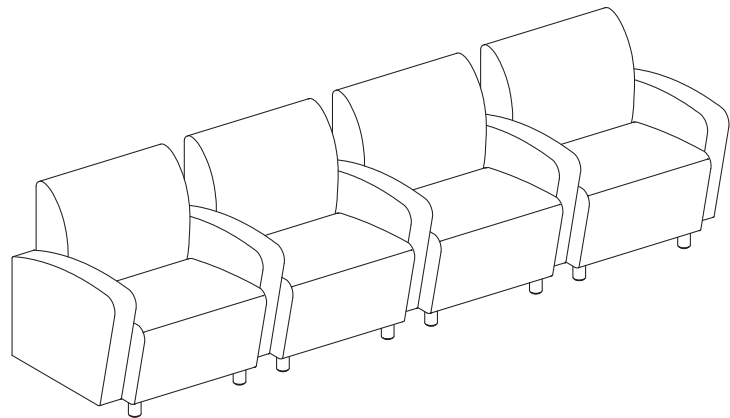
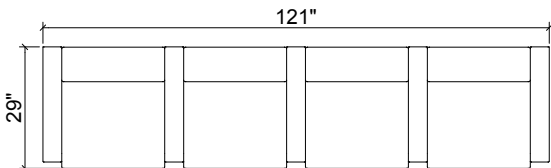
Total List \$22,663



Model Number	Qty	List	Extension
HA-LG-3022IC-UB-ML-NA-G1	10	\$2,108	\$21,077
HA-OT-2442V-ML-G1	1	\$1,586	\$1,586

HA-009

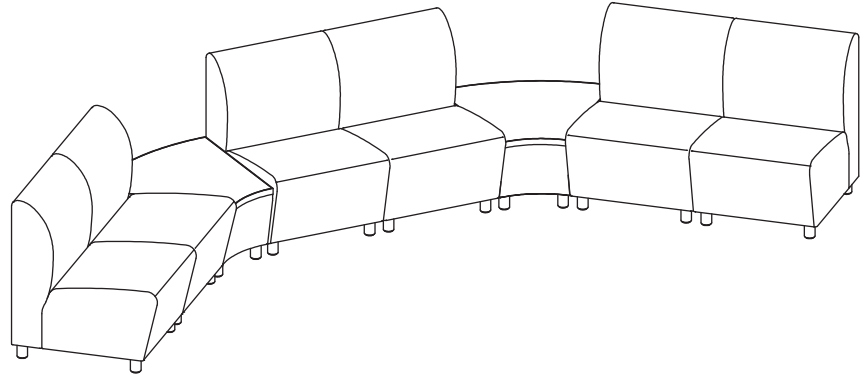
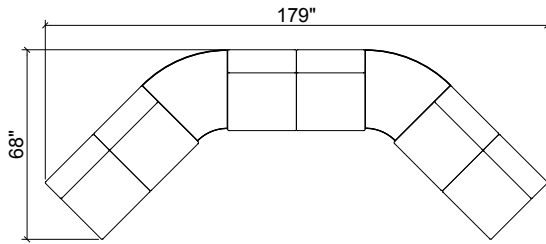
Total List \$9,269



Model Number	Qty	List	Extension
HA-LG-3025S-UB-ML-A2-G1	1	\$2,579	\$2,579
HA-LG-3025S-UB-ML-AR-G1	3	\$2,230	\$6,690

HA-010

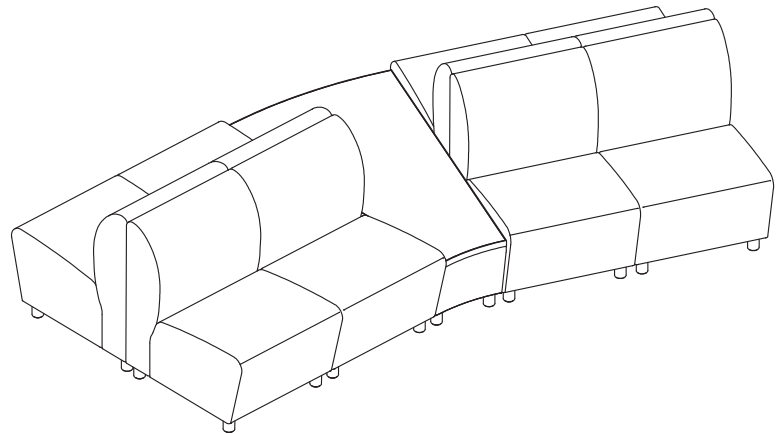
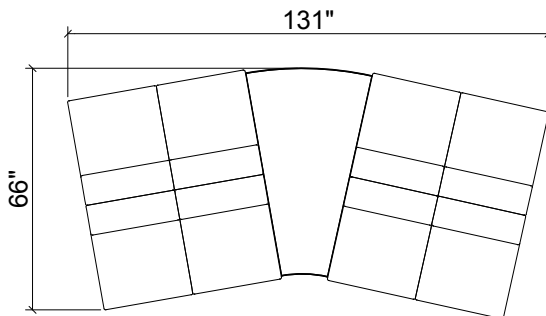
Total List \$14,323



Model Number	Qty	List	Extension
HA-LG-3025S-UB-ML-NA-G1	6	\$1,882	\$11,291
HA-OT-S45W-ML-G1	2	\$1,516	\$3,032

HA-011

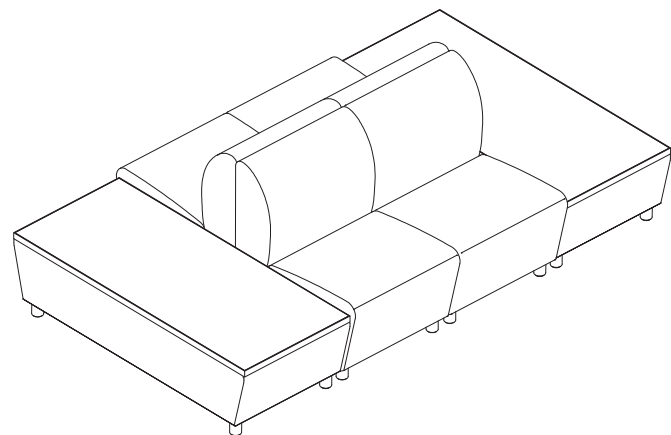
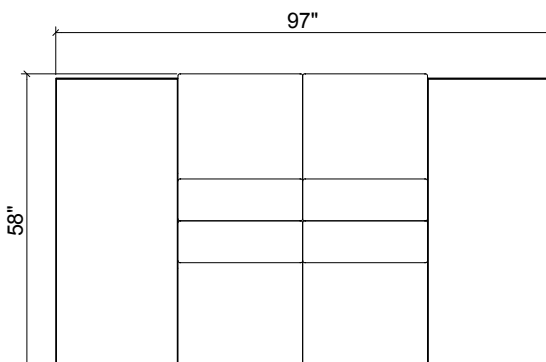
Total List \$17,168



Model Number	Qty	List	Extension
HA-LG-3025S-UB-ML-NA-G1	8	\$1,882	\$15,055
HA-OT-D22W-ML-G1	1	\$2,113	\$2,113

HA-012

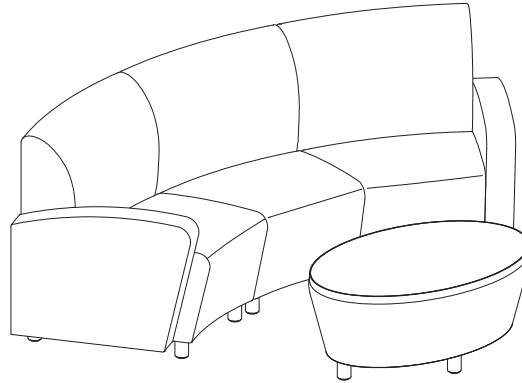
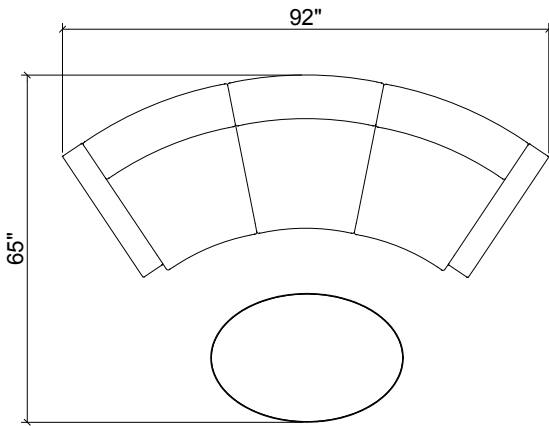
Total List \$11,559



Model Number	Qty	List	Extension
HA-LG-3025S-UB-ML-NA-G1	4	\$1,882	\$7,527
HA-OT-D24S-ML-G1	2	\$2,016	\$4,032

HA-013

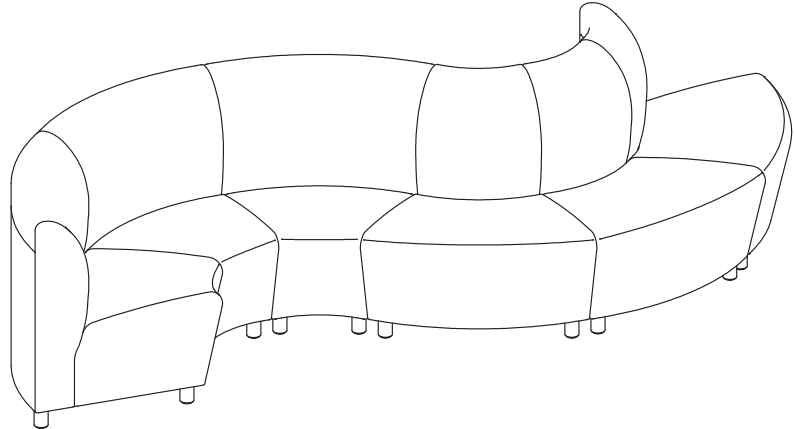
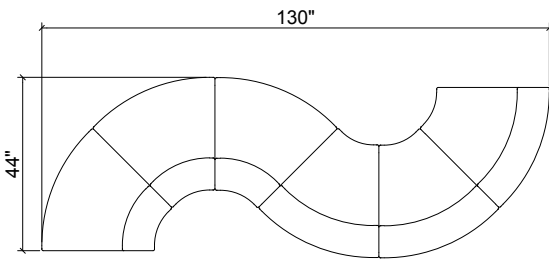
Total List \$8,493



Model Number	Qty	List	Extension
HA-LG-3022IC-UB-ML-AL-G1	1	\$2,456	\$2,456
HA-LG-3022IC-UB-ML-NA-G1	1	\$2,108	\$2,108
HA-LG-3022IC-UB-ML-AR-G1	1	\$2,456	\$2,456
HA-OT-2436V-ML-G1	1	\$1,473	\$1,473

HA-014

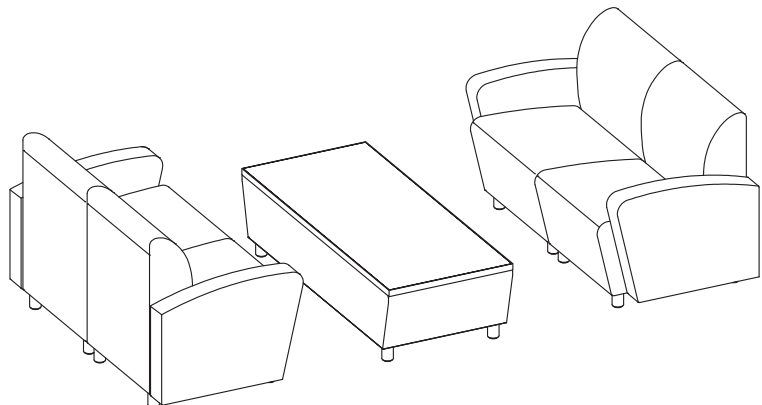
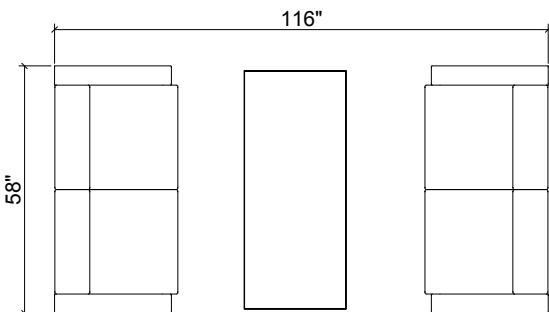
Total List \$12,647



Model Number	Qty	List	Extension
HA-LG-3045IC-UB-ML-NA-G1	3	\$2,108	\$6,323
HA-LG-3045OC-UB-ML-NA-G1	3	\$2,108	\$6,324

HA-015

Total List \$10,936



Model Number	Qty	List	Extension
HA-LG-3025S-UB-ML-AL-G1	2	\$2,230	\$4,460
HA-LG-3025S-UB-ML-AR-G1	2	\$2,230	\$4,460
HA-OT-D24S-ML-G1	1	\$2,016	\$2,016

Order Information	70
Specifications	71
Lounge	72
Typicals	77



Use this checklist to be sure you have all of the necessary information to place your order.

Catalog Number

Use our build guides to create your catalog number.

Fabrics & Textiles

Please specify vendor, pattern name and pattern color. See page 12 for a complete list of LIAT Graded-In Fabrics.

Accessories

Contrasting Fabrics

When specifying contrasting upholstery, please clearly indicate which upholstery is to be applied to the tops, backs and sides. Use the higher grade for pricing purposes.

Fabric Direction

Please specify any special applications instructions. If no special instructions are provided with the order, LIAT will upholster the fabric at our own discretion, typically "Up The Roll" with any stripes/pattern going from front to back.

COM Order Information

All COM orders must include the following:

- Vendor name, pattern name and pattern color.
- Sample of the fabric attached with the order.
- Any special application instructions.
- Ship prepaid COM to:

LIAT Furniture
ATTN: COM Upholstery
694 North Main Street
Troutman, NC 28166

COM Policy

All yardage requirements for COM are based upon 54" plain non-direction material. Additional yardage may be required based on repeat and matching. All COM requires pre-approval by LIAT. Use the guide at the bottom of this page to estimate the required yardage. LIAT takes no responsibility when additional materials must be ordered. LIAT takes no responsibility for tailoring, wear-ability or application of COM fabrics & textiles. Any warranty claims for COM fabrics & textiles will fall to the original vendor of the material.

COM Fabric Repeat Guide **Based on 54" wide roll**

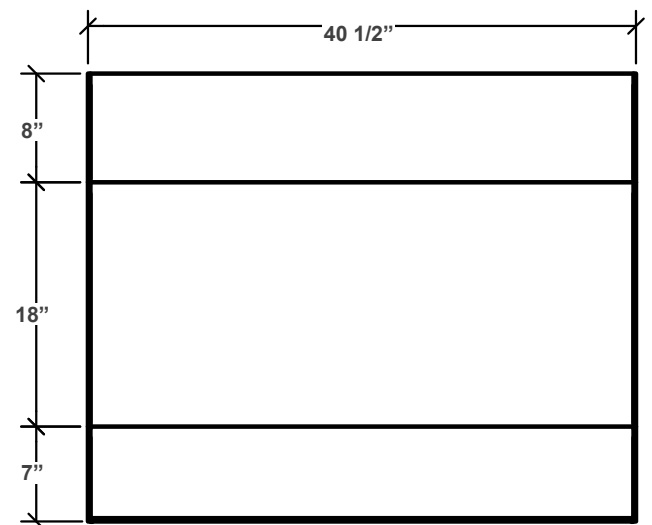
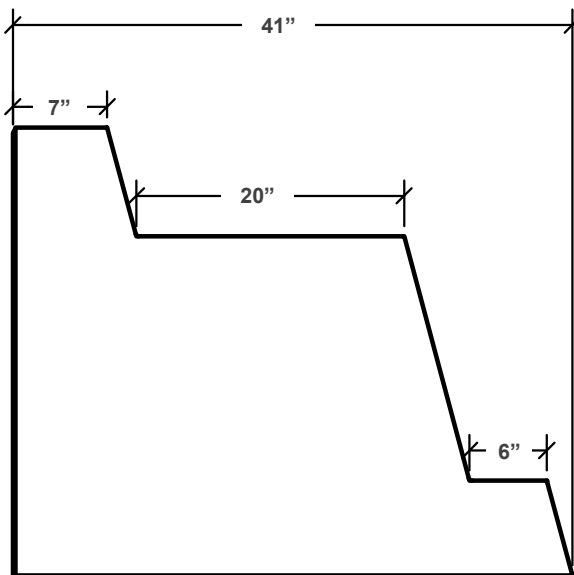
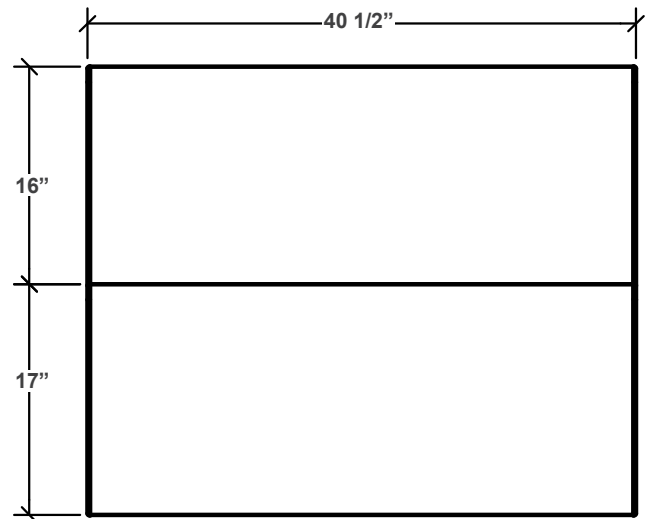
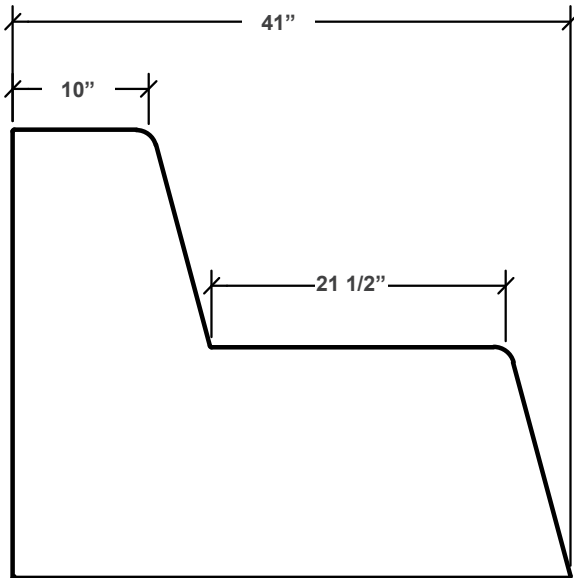
Plain Fabric	1-5" Repeat	6-10" Repeat	11-15" Repeat	16-20" Repeat	21-30" Repeat	31-40" Repeat	41"+
0%	10%	15%	20%	25%	30%	40%	50%

Lounge

The lounge frames are constructed of puzzle cut 7/8" thick plytanium with locking dog bone joint construction that is glued and staples. The frames are then covered with 1" thick high density polyurethane foam with a 1/2" Dacron topper.

Electrical / Power

The standard built-in power upgrade option shall be an all metal screw mounted flush face power and charging solution with 1 power and 2 USB 2.1A charging ports with a 72" cord length, constructed with 12A, 120 VAC spill resistant receptalces. The unit shall be finished in a Metallic Silver powder coat.



Part Number
Configurator

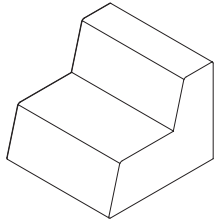
KO – **LG** – **1** **2** **3**

Required Selections				
Component	Code	Description	2 Step	3 Step
1 Width	40	40" Wide	\$3,047	\$3,274
2 Step Count	2	2 Step	\$0	-
	3	3 Step	-	\$0
3 Shape	S	Straight	\$0	\$0
4 Divider	ND	No Divider	\$0	\$0
	UD	Upholstered Divider	\$1,307	\$1,307

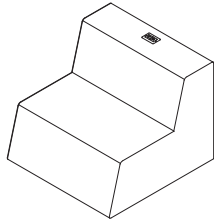
Available Upgrades				
Component	Code	Description	2 Step	3 Step
5 Power	-PT	Power, Top Step, Center	\$492	\$492
	-PD	Power, Divider, Center	\$492	\$492
Divider Power Not Available Without Divider				

Fabric Selections				
Component	Code	Description	No Divider	With Divider
6 Fabric Grade	-COM	Customers Own Material	\$0	\$0
			fabric requirements:	
			12	16
	-G1	Grade 1	\$0	\$0
	-G2	Grade 2	\$360	\$480
	-G3	Grade 3	\$708	\$944
	-G4	Grade 4	\$1,056	\$1,408
	-G5	Grade 5	\$1,416	\$1,888
	-G6	Grade 6	\$1,764	\$2,352
	-G7	Grade 7	\$2,112	\$2,816
	-G8	Grade 8	\$2,472	\$3,296
-G9	Grade 9	\$2,904	\$3,872	
-G10	Grade 10	\$3,348	\$4,464	

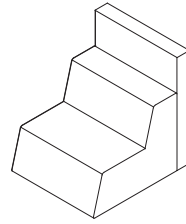
Quick Looks



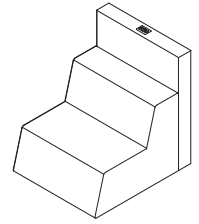
KO-LG-402S



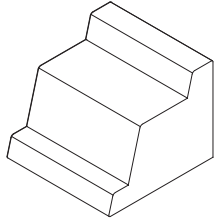
KO-LG-402S-PT



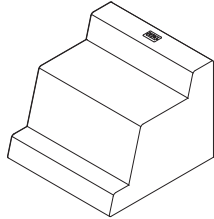
KO-LG-402S-UD



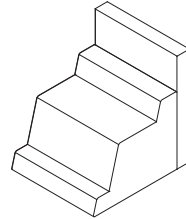
KO-LG-402S-UD-PD



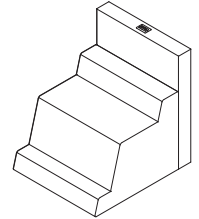
KO-LG-403S



KO-LG-403S-PT

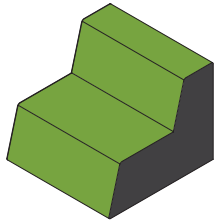


KO-LG-403S-UD

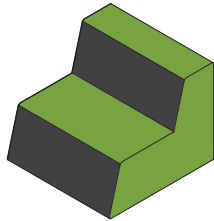


KO-LG-403S-UD-PD

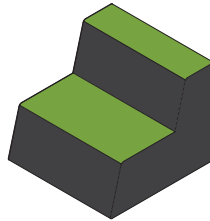
Fabric Combination Options



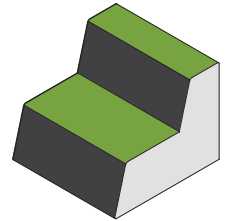
Tops & Fronts 1 | Sides 2



Tops & Sides 1 | Fronts 2



Tops 1 | Sides & Fronts 2



Tops 1 | Fronts 2 | Sides 3

Part Number
Configurator

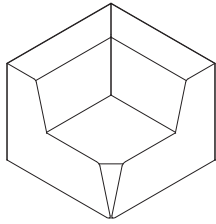
KO – **LG** – **1** **2** **3**

Required Selections				
Component	Code	Description	2 Step	3 Step
1	Width	40 40" Wide	\$3,609	\$3,918
2	Step Count	2 2 Step	\$0	-
		3 3 Step	-	\$0
3	Shape	IC Inner Corner	\$0	\$0
4	Divider	NDX No Divider	\$0	\$0
		UDL Upholstered Divider, Left Side Facing	\$1,307	\$1,307
		UDR Upholstered Divider, Right Side Facing	\$1,307	\$1,307

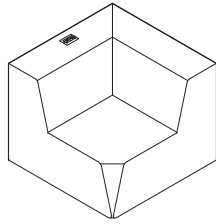
Available Upgrades				
Component	Code	Description	2 Step	3 Step
5	Power	-PL Power, Top Step, Left Side Facing, Center	\$492	\$492
		-PR Power, Top Step, Right Side Facing, Center	\$492	\$492
		-PD Power, Divider, Center	\$492	\$492
		Divider Power Not Available Without Divider		

Fabric Selections				
Component	Code	Description	No Divider	With Divider
6	Fabric Grade	-COM Customers Own Material	\$0	\$0
			14	18
		-G1 Grade 1	\$0	\$0
		-G2 Grade 2	\$420	\$540
		-G3 Grade 3	\$826	\$1,062
		-G4 Grade 4	\$1,232	\$1,584
		-G5 Grade 5	\$1,652	\$2,124
		-G6 Grade 6	\$2,058	\$2,646
		-G7 Grade 7	\$2,464	\$3,168
		-G8 Grade 8	\$2,884	\$3,708
		-G9 Grade 9	\$3,388	\$4,356
		-G10 Grade 10	\$3,906	\$5,022

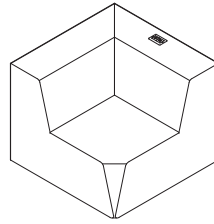
Quick Looks



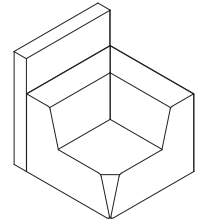
KO-LG-402IC



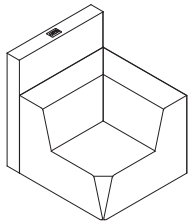
KO-LG-402IC-PL



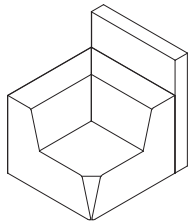
KO-LG-402IC-PR



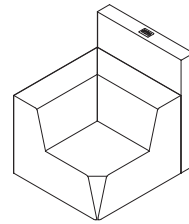
KO-LG-402IC-UDL



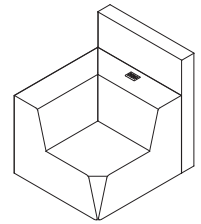
KO-LG-402IC-UDL-PD



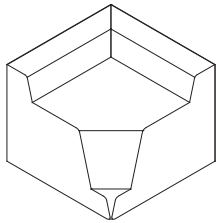
KO-LG-402IC-UDR



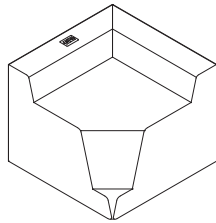
KO-LG-402IC-UDR-PD



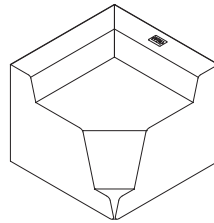
KO-LG-402IC-UDR-PR



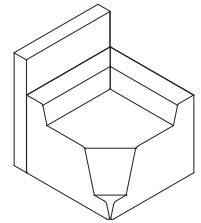
KO-LG-403IC



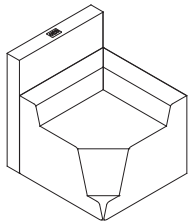
KO-LG-403IC-PL



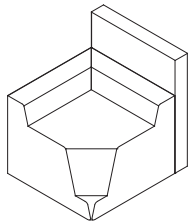
KO-LG-403IC-PR



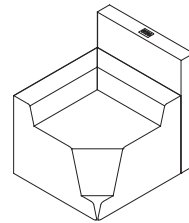
KO-LG-403IC-UDL



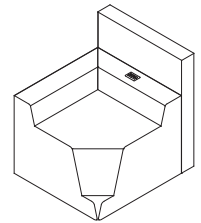
KO-LG-403IC-UDL-PD



KO-LG-403IC-UDR

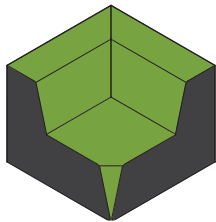


KO-LG-403IC-UDR-PD

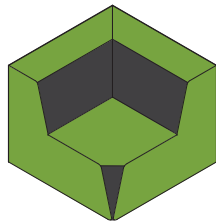


KO-LG-403IC-UDR-PR

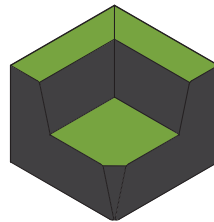
Fabric Combination Options



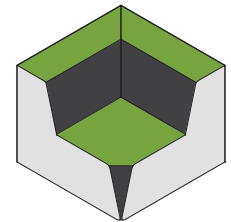
Tops & Fronts 1 | Sides 2



Tops & Sides 1 | Fronts 2



Tops 1 | Sides & Fronts 2



Tops 1 | Fronts 2 | Sides 3

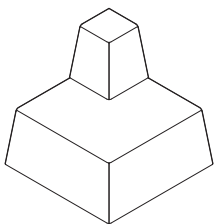
Part Number
Configurator

KO – **LG** – **1** **2** **3**

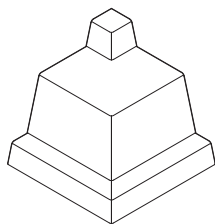
Required Selections				
Component	Code	Description	2 Step	3 Step
1 Width	40	40" Wide	\$3,583	\$3,892
2 Step Count	2	2 Step	\$0	-
	3	3 Step	-	\$0
3 Shape	OC	Outer Corner	\$0	\$0
4 Divider	ND	No Divider	\$0	\$0

Fabric Selections				
Component	Code	Description	No Divider	
5 Fabric Grade	-COM	Customers Own Material	\$0	
				12
		-G1 Grade 1		\$0
		-G2 Grade 2		\$360
		-G3 Grade 3		\$708
		-G4 Grade 4		\$1,056
		-G5 Grade 5		\$1,416
		-G6 Grade 6		\$1,764
		-G7 Grade 7		\$2,112
		-G8 Grade 8		\$2,472
		-G9 Grade 9		\$2,904
	-G10 Grade 10		\$3,348	

Quick Looks

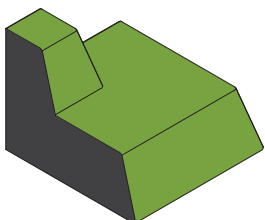


KO-LG-402OC

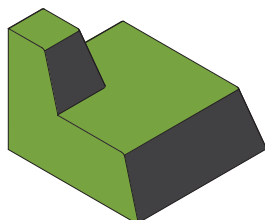


KO-LG-403OC

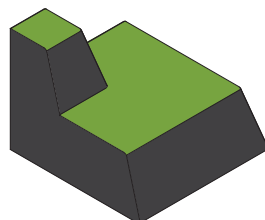
Fabric Combination Options



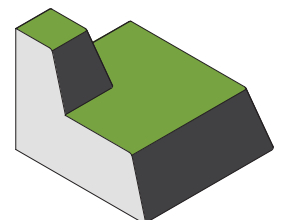
Tops & Fronts 1 | Sides 2



Tops & Sides 1 | Fronts 2



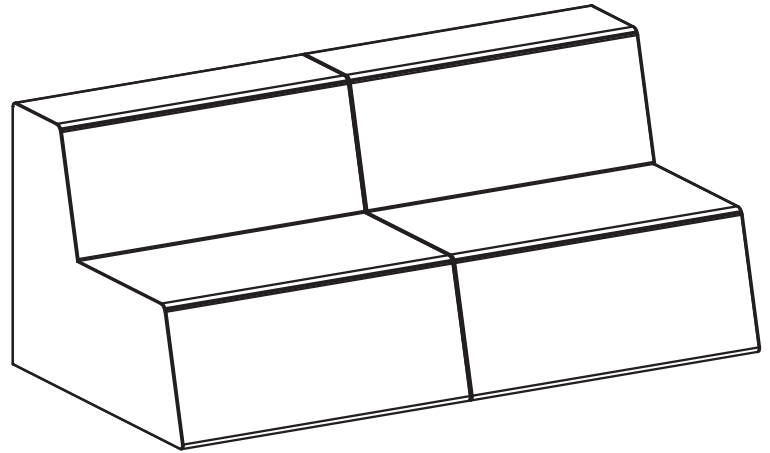
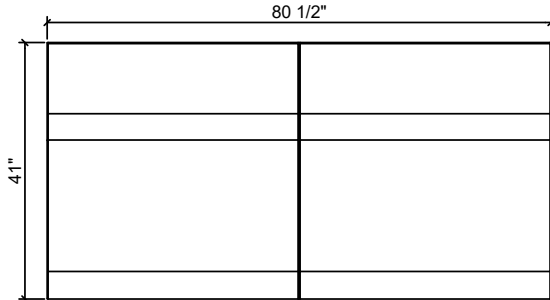
Tops 1 | Sides & Fronts 2



Tops 1 | Fronts 2 | Sides 3

KO-001

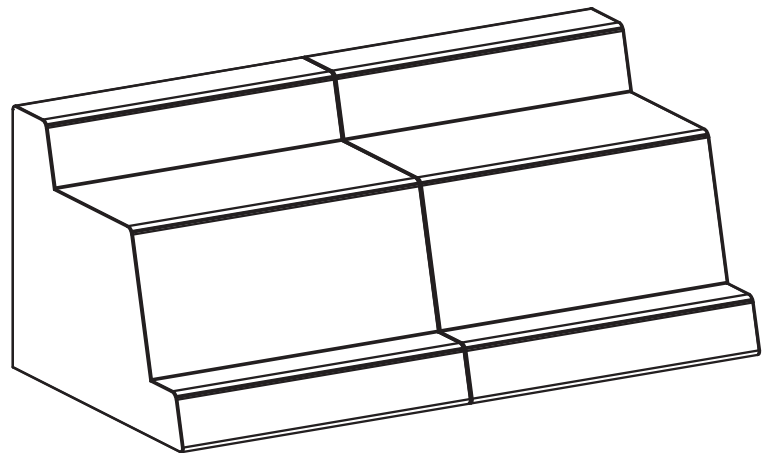
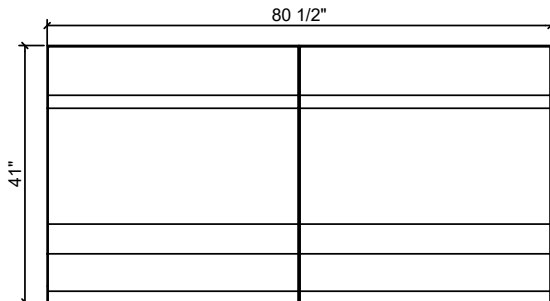
Total List \$6,094



Model Number	Qty	List	Extension
KO-LG-402S-ND-G1	2	\$3,047	\$6,094

KO-002

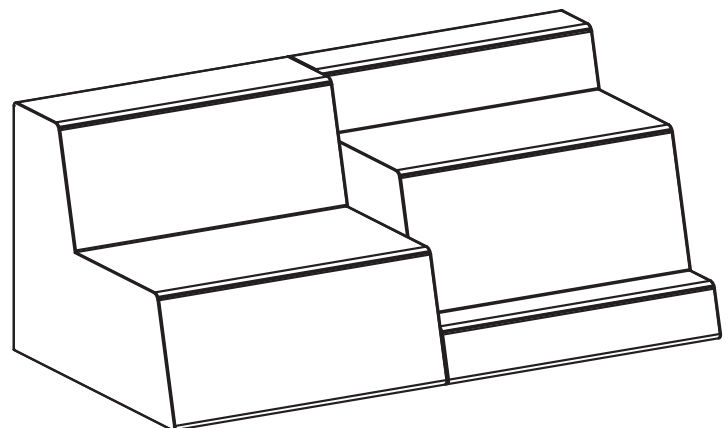
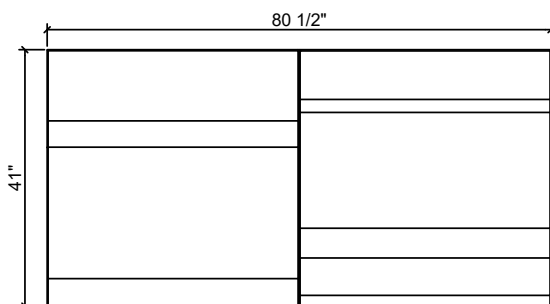
Total List \$6,548



Model Number	Qty	List	Extension
KO-LG-403S-ND-G1	2	\$3,274	\$6,548

KO-003

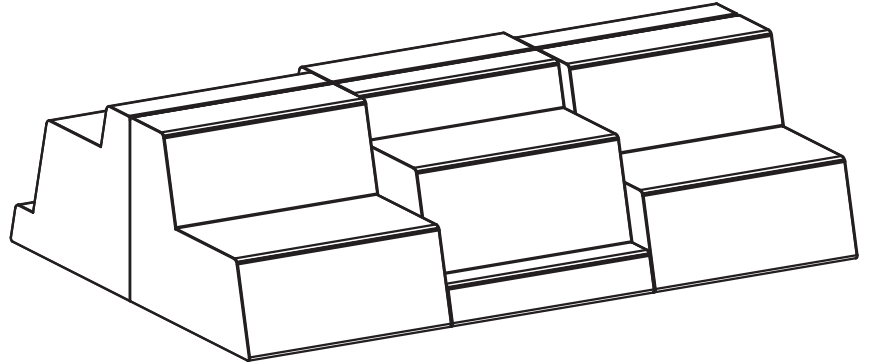
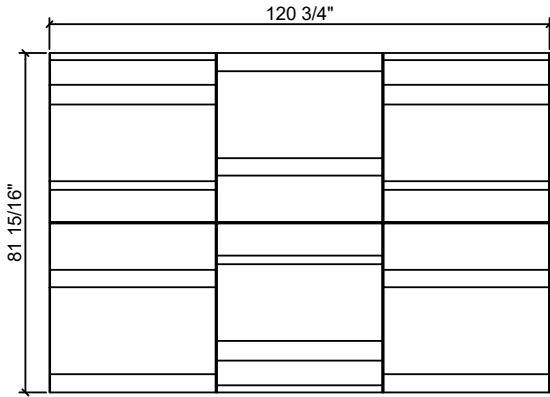
Total List \$6,321



Model Number	Qty	List	Extension
KO-LG-402S-ND-G1	1	\$3,047	\$3,047
KO-LG-403S-ND-G1	1	\$3,274	\$3,274

KO-004

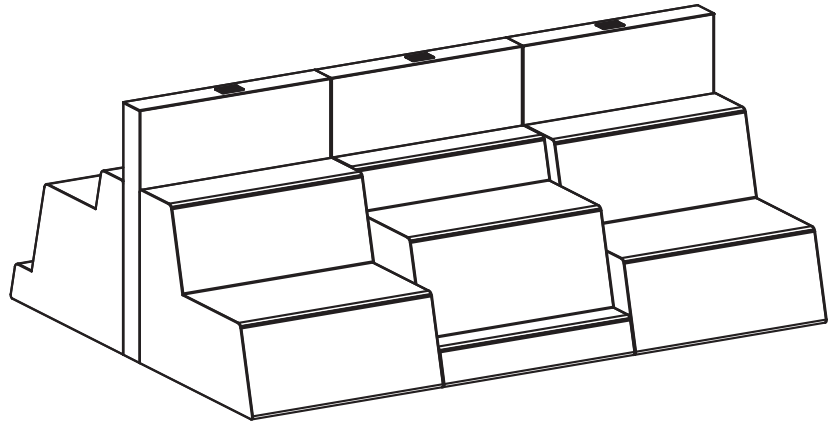
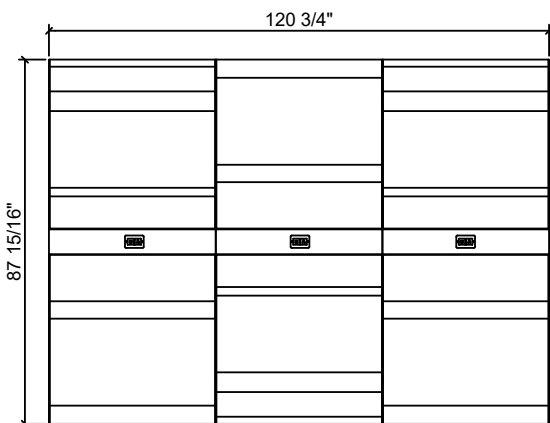
Total List \$18,962



Model Number	Qty	List	Extension
KO-LG-402S-ND-G1	3	\$3,047	\$9,141
KO-LG-403S-ND-G1	3	\$3,274	\$9,822

KO-005

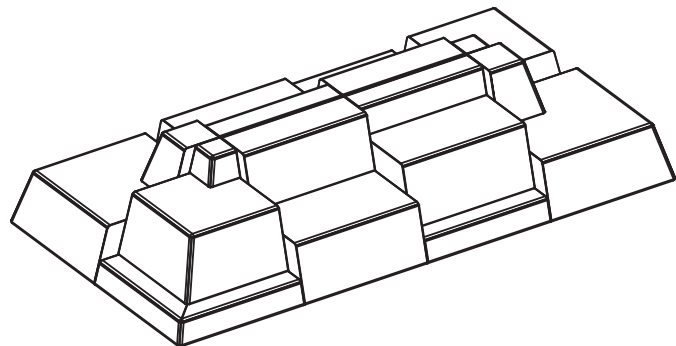
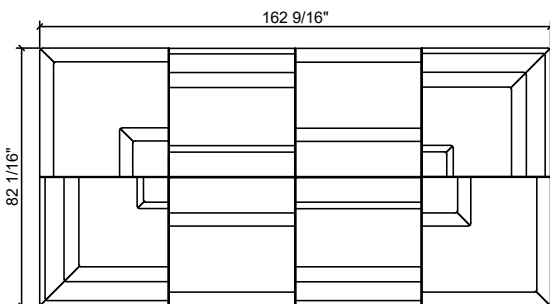
Total List \$24,359



Model Number	Qty	List	Extension
KO-LG-402S-UD-PD-G1	3	\$4,846	\$14,538
KO-LG-403S-ND-G1	3	\$3,274	\$9,822

KO-006

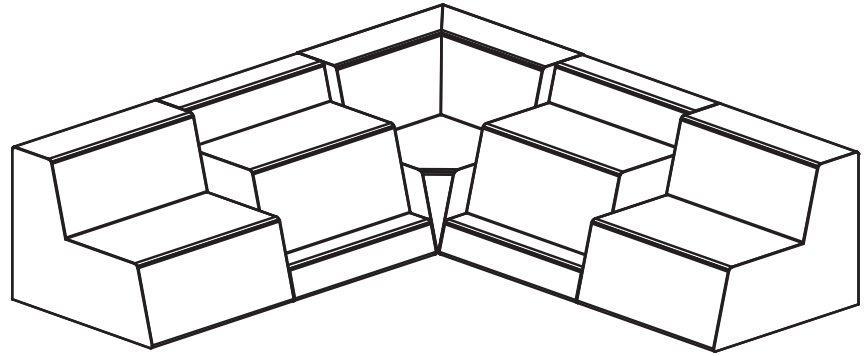
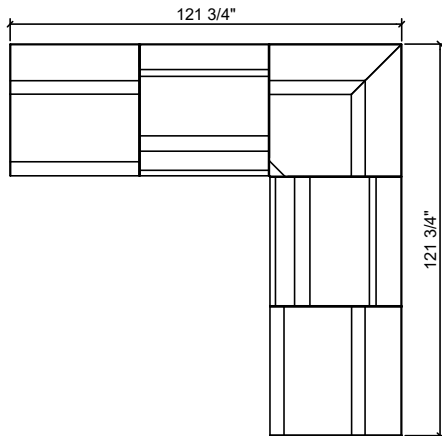
Total List \$27,591



Model Number	Qty	List	Extension
KO-LG-402S-ND-G1	2	\$3,047	\$6,094
KO-LG-402OC-ND-G1	2	\$3,583	\$7,166
KO-LG-403OC-ND-G1	2	\$3,892	\$7,784
KO-LG-403S-ND-G1	2	\$3,274	\$6,548

KO-007

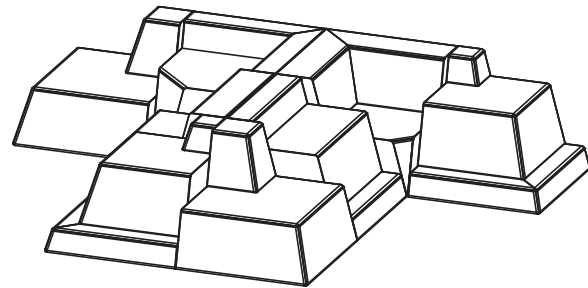
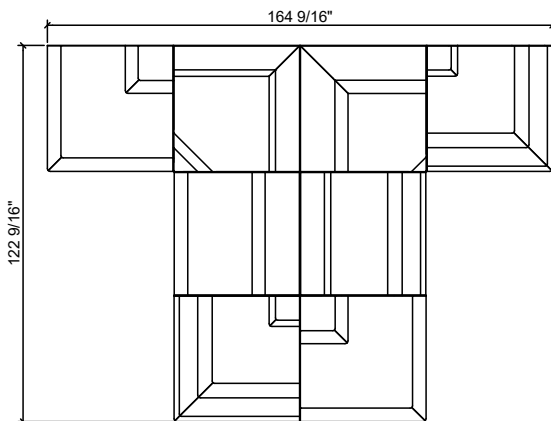
Total List \$16,250



Model Number	Qty	List	Extension
KO-LG-402S-ND-G1	2	\$3,047	\$6,094
KO-LG-402IC-NDX-G1	1	\$3,609	\$3,609
KO-LG-403S-ND-G1	2	\$3,274	\$6,548

KO-008

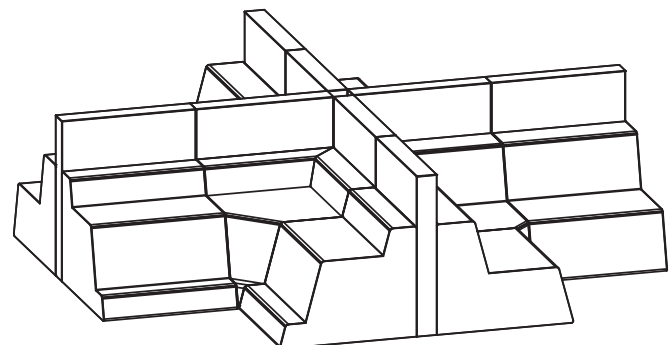
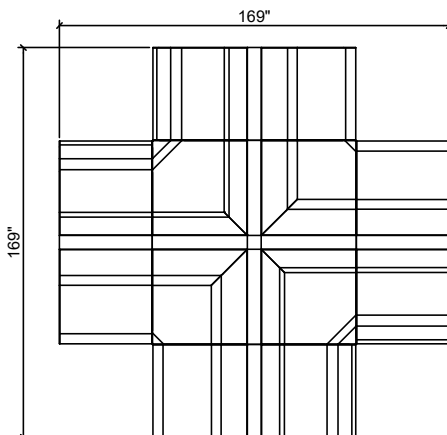
Total List \$28,796



Model Number	Qty	List	Extension
KO-LG-402S-ND-G1	1	\$3,047	\$3,047
KO-LG-402IC-NDX-G1	1	\$3,609	\$3,609
KO-LG-403IC-NDX-G1	1	\$3,918	\$3,918
KO-LG-402OC-ND-G1	2	\$3,583	\$7,166
KO-LG-403OC-ND-G1	2	\$3,892	\$7,784
KO-LG-403S-ND-G1	1	\$3,274	\$3,274

KO-009

Total List \$50,791



Model Number	Qty	List	Extension
KO-LG-402S-ND-G1	2	\$3,047	\$6,094
KO-LG-402S-UD-G1	2	\$4,354	\$8,707
KO-LG-402IC-UDR-G1	2	\$4,916	\$9,832
KO-LG-403S-ND-G1	2	\$3,274	\$6,548
KO-LG-403S-UD-G1	2	\$4,581	\$9,161
KO-LG-403IC-UDR-G1	2	\$5,225	\$10,450

Lenoir

Price List

Effective 11/1/2023

Ordering Information	81
Specifications	82
Upholstered Back	83
Occasional Tables	87
Curved Table	90
Typicals	92



LIATfurniture.com

694 North Main Street · Troutman, NC 28166
TF 888 440 8205

LIAT 
LOUNGE

Use this checklist to be sure you have all of the necessary information to place your order.

Catalog Number

Use our build guides to create your catalog number.

Fabrics & Textiles

Please specify vendor, pattern name and pattern color. See 12 for a complete list of LIAT Graded-In Fabrics.

Laminate Selection ***Occasional Tables only***

Standard Wilsonart or Formica. Please specify manufacturer, color, finish and model number.

PVC Edge Band ***Occasional Tables only***

See 8 for a complete list of standard LIAT PVC Edge Band options.

Accessories

Contrasting Fabrics

When specifying contrasting upholstery, please clearly indicate which upholstery is to be applied to the seat, back and arms. Use the higher grade for pricing purposes.

Fabric Direction

Please specify any special applications instructions. If no special instructions are provided with the order, LIAT will upholster the fabric at our own discretion, typically "Up The Roll" with any stripes/pattern going from front to back.

COM Order Information

All COM orders must include the following:

- Vendor name, pattern name and pattern color.
- Sample of the fabric attached with the order.
- Any special application instructions.
- Ship prepaid COM to:

LIAT Furniture
ATTN: COM Upholstery
694 North Main Street
Troutman, NC 28166

COM Policy

All yardage requirements for COM are based upon 54" plain non-direction material. Additional yardage may be required based on repeat and matching. All COM requires pre-approval by LIAT. Use the guide at the bottom of this page to estimate the required yardage. LIAT takes no responsibility when additional materials must be ordered. LIAT takes no responsibility for tailoring, wear-ability or application of COM fabrics & textiles. Any warranty claims for COM fabrics & textiles will fall to the original vendor of the material.

COM Fabric Repeat Guide ***Based on 54" wide roll***

Plain Fabric	1-5" Repeat	6-10" Repeat	11-15" Repeat	16-20" Repeat	21-30" Repeat	31-40" Repeat	41"+
0%	10%	15%	20%	25%	30%	40%	50%

Lounge

The lounge frames are constructed of puzzle cut 7/8" thick plytanium with locking dog bone joint construction that is glued and stapled.

The seats are strapped with 3" Dymetrol elastic webbing and 4" thick high density polyurethane foam on the seat top and 1" thick high density foam on the front and sides with a 1/2" Dacron wrap.

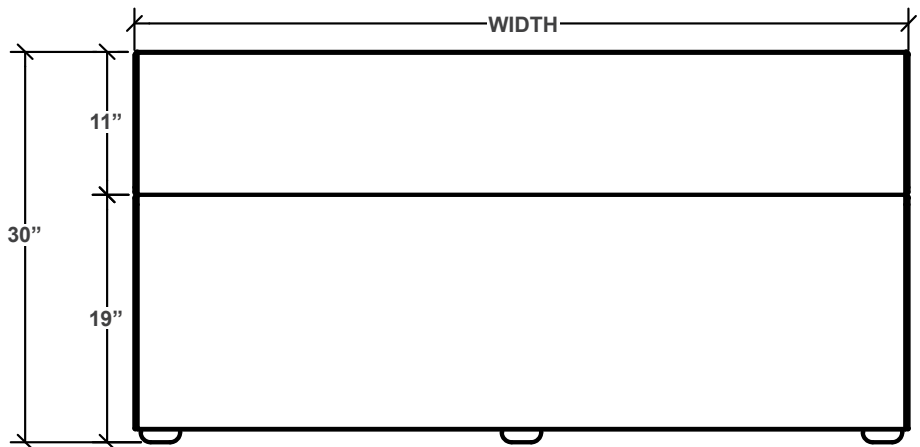
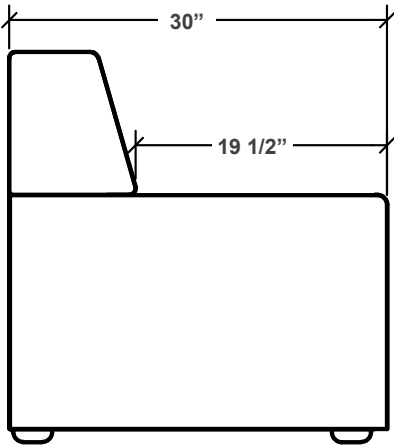
Occasional Tables

The occasional table frames are constructed of puzzle cut 7/8" thick plytanium with locking dog bone joint construction that is glued and stapled.

The tops are constructed of 1-1/8" thick particle board core with a .050" thick high pressure laminate top surface, a .020" thick phenolic backing sheet, and a 3mm PVC edge band.

Electrical / Power

The standard built-in power upgrade option shall be an all metal screw mounted flush face power and charging solution with 1 power and 2 USB 2.1A charging ports with a 72" cord length, constructed with 12A, 120 VAC spill resistant receptacles. The unit shall be finished in a Metallic Silver powder coat.



Part Number
Configurator

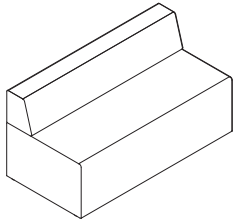
LN – **LG** – **1** **2** **3**

Required Selections							
Component	Code	Description	36" Wide	48" Wide	60" Wide	72" Wide	84" Wide
1	Depth	30 30" Deep	\$2,140	\$2,282	\$2,987	\$3,237	\$3,682
2	Width	36 36" Wide	\$0	-	-	-	-
		48 48" Wide	-	\$0	-	-	-
		60 60" Wide	-	-	\$0	-	-
		72 72" Wide	-	-	-	\$0	-
		84 84" Wide	-	-	-	-	\$0
3	Shape	S Straight	\$0	\$0	\$0	\$0	\$0

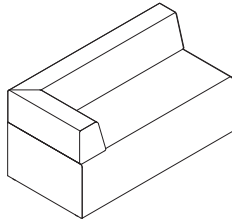
Available Upgrades							
Component	Code	Description	36" Wide	48" Wide	60" Wide	72" Wide	84" Wide
4	Back Options	-HBL Half Back, Left Side Facing	-	\$0	\$0	\$0	\$0
		-HBR Half Back, Right Side Facing	-	\$0	\$0	\$0	\$0
		-NB No Back	\$0	\$0	\$0	\$0	\$0
5	Arms	-AL Arm, Left Side Facing	\$362	\$362	\$362	\$362	\$362
		Not Available With Half Back and No Back, Right Side Facing (-HBR)					
		-AR Arm, Right Side Facing	\$362	\$362	\$362	\$362	\$362
		Not Available With Half Back and No Back, Left Side Facing (-HBL)					
		-A2 Arms, Both Sides	-	\$724	\$724	\$724	\$724
		Not Available With Half Back and No Back					
6	Power	-PL Power, Left Side Facing	\$477	\$477	\$477	\$477	\$477
		-PR Power, Right Side Facing	\$477	\$477	\$477	\$477	\$477

Fabric Selections							
Component	Code	Description	36" Wide	48" Wide	60" Wide	72" Wide	84" Wide
7	Fabric Grade	-COM Customers Own Material	\$0	\$0	\$0	\$0	\$0
		fabric requirements:	7	8	9	10	11
		-G1 Grade 1	\$0	\$0	\$0	\$0	\$0
		-G2 Grade 2	\$210	\$240	\$270	\$300	\$330
		-G3 Grade 3	\$413	\$472	\$531	\$590	\$649
		-G4 Grade 4	\$616	\$704	\$792	\$880	\$968
		-G5 Grade 5	\$826	\$944	\$1,062	\$1,180	\$1,298
		-G6 Grade 6	\$1,029	\$1,176	\$1,323	\$1,470	\$1,617
		-G7 Grade 7	\$1,232	\$1,408	\$1,584	\$1,760	\$1,936
		-G8 Grade 8	\$1,442	\$1,648	\$1,854	\$2,060	\$2,266
		-G9 Grade 9	\$1,694	\$1,936	\$2,178	\$2,420	\$2,662
		-G10 Grade 10	\$1,953	\$2,232	\$2,511	\$2,790	\$3,069

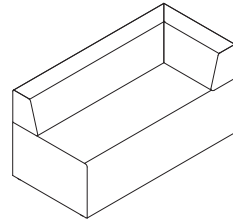
Quick Looks



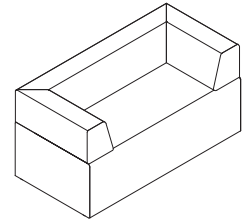
LN-LG-3060S



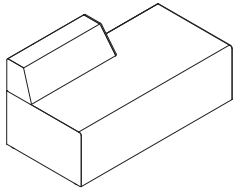
LN-LG-3060S-AL



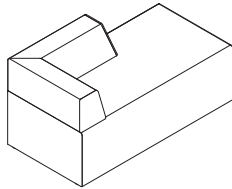
LN-LG-3060S-AR



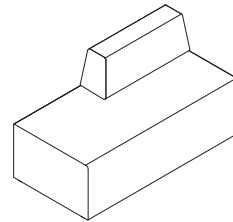
LN-LG-3060S-A2



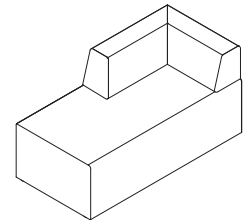
LN-LG-3060S-HBL



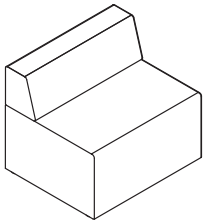
LN-LG-3060S-HBL-AL



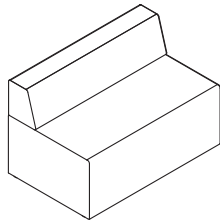
LN-LG-3060S-HBR



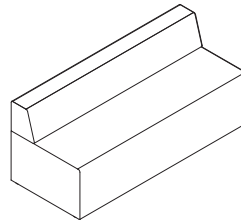
LN-LG-3060S-HBR-AR



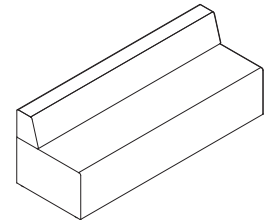
LN-LG-3036S



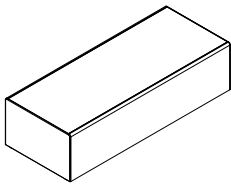
LN-LG-3048S



LN-LG-3072S

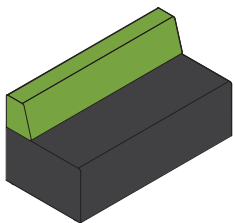


LN-LG-3084S

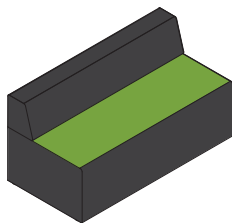


LN-LG-3072S-NB

Fabric Combination Options



Seat 1 | Back 2



Main 1 | Seat Top 2

Part Number
Configurator

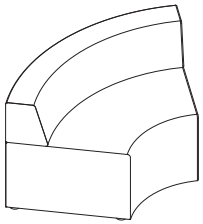
LN – **LG** – **1** **2** **3**

Required Selections						
Component	Code	Description	48" Radius	60" Radius	72" Radius	
1	Depth	30 30" Deep	\$2,596	\$2,596	\$2,596	
2	Radius	48 48" Radius	\$0	-	-	
		60 60" Radius	-	\$0	-	
		72 72" Radius	-	-	\$0	
3	Shape	IC Inner Curve	\$62	\$62	\$62	
		OC Outer Curve	\$0	\$0	\$0	
	No Back	CNB No Back	\$0	\$0	\$0	

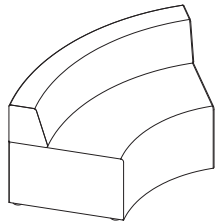
Available Upgrades						
Component	Code	Description	48" Radius	60" Radius	72" Radius	
4	Power	-PL Power, Left Side Facing	\$477	\$477	\$477	
		-PR Power, Right Side Facing	\$477	\$477	\$477	

Fabric Selections						
Component	Code	Description	Inner Curve	Outer Curve		
5	Fabric Grade	-COM Customers Own Material	\$0	\$0		
		fabric requirements:	8	7		
		-G1 Grade 1	\$0	\$0		
		-G2 Grade 2	\$240	\$210		
		-G3 Grade 3	\$472	\$413		
		-G4 Grade 4	\$704	\$616		
		-G5 Grade 5	\$944	\$826		
		-G6 Grade 6	\$1,176	\$1,029		
		-G7 Grade 7	\$1,408	\$1,232		
		-G8 Grade 8	\$1,648	\$1,442		
		-G9 Grade 9	\$1,936	\$1,694		
		-G10 Grade 10	\$2,232	\$1,953		

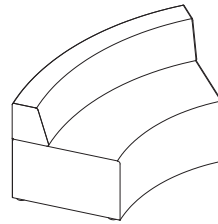
Quick Looks



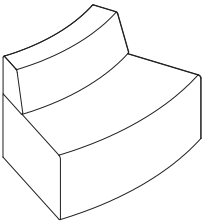
LN-LG-3048IC



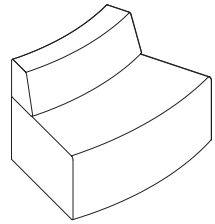
LN-LG-3060IC



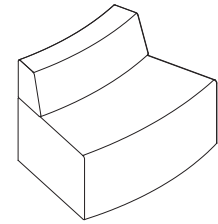
LN-LG-3072IC



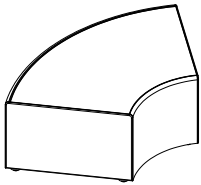
LN-LG-3048OC



LN-LG-3060OC

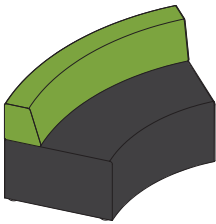


LN-LG-3072OC

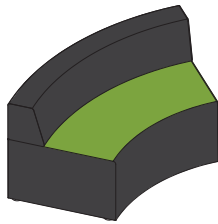


LN-LG-3048IC-NB

Fabric Combination Options

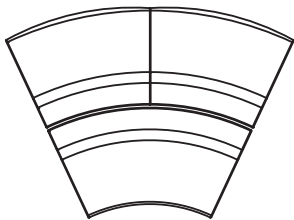


Seat 1 | Back 2



Main 1 | Seat Top 2

Note:



(1) Inner Curve to (2) Outer Curves

Part Number
Configurator

LN – **OT** – **1** **2** **3**

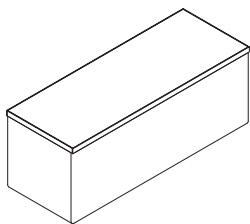
Required Selections

Component	Code Description	24" Long	36" Long	48" Long	60" Long	72" Long
1 Depth	18 18" Deep	\$1,523	\$1,709	\$1,977	\$2,401	\$2,537
2 Length	24 24" Long	\$0	-	-	-	-
	36 36" Long	-	\$0	-	-	-
	48 48" Long	-	-	\$0	-	-
	60 60" Long	-	-	-	\$0	-
	72 72" Long	-	-	-	-	\$0
3 Shape	R Rectangle	\$0	\$0	\$0	\$0	\$0

Fabric Selections

Component	Code Description	24" Long	36" Long	48" Long	60" Long	72" Long
4 Fabric Grade	-COM Customers Own Material	\$0	\$0	\$0	\$0	\$0
	fabric requirements (yards):	2.00	2.50	3.25	4.25	4.50
	-G1 Grade 1	\$0	\$0	\$0	\$0	\$0
	-G2 Grade 2	\$60	\$75	\$98	\$128	\$135
	-G3 Grade 3	\$118	\$148	\$192	\$251	\$266
	-G4 Grade 4	\$176	\$220	\$286	\$374	\$396
	-G5 Grade 5	\$236	\$295	\$384	\$502	\$531
	-G6 Grade 6	\$294	\$368	\$478	\$625	\$662
	-G7 Grade 7	\$352	\$440	\$572	\$748	\$792
	-G8 Grade 8	\$412	\$515	\$670	\$876	\$927
	-G9 Grade 9	\$484	\$605	\$787	\$1,029	\$1,089
-G10 Grade 10	\$558	\$698	\$907	\$1,186	\$1,256	

Quick Looks



LN-OT-1848R

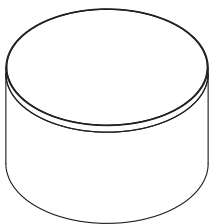
Part Number
Configurator

LN – **OT** – **1** **2**

Required Selections								
Component	Code	Description	18" Dia	24" Dia	30" Dia	36" Dia	42" Dia	
1	Size	18 18" Diameter	\$1,526	-	-	-	-	
		24 24" Diameter	-	\$1,713	-	-	-	
		30 30" Diameter	-	-	\$1,892	-	-	
		36 36" Diameter	-	-	-	\$2,138	-	
		42 42" Diameter	-	-	-	-	\$2,462	
2	Shape	D Round	\$0	\$0	\$0	\$0	\$0	

Fabric Selections									
Component	Code	Description	18" Dia	24" Dia	30" Dia	36" Dia	42" Dia		
3	Fabric Grade	-COM Customers Own Material	\$0	\$0	\$0	\$0	\$0	\$0	
		fabric requirements (yards):		2.00	2.50	2.75	3.25	4.00	
		-G1 Grade 1	\$0	\$0	\$0	\$0	\$0	\$0	
		-G2 Grade 2	\$60	\$75	\$83	\$98	\$120		
		-G3 Grade 3	\$118	\$148	\$162	\$192	\$236		
		-G4 Grade 4	\$176	\$220	\$242	\$286	\$352		
		-G5 Grade 5	\$236	\$295	\$325	\$384	\$472		
		-G6 Grade 6	\$294	\$368	\$404	\$478	\$588		
		-G7 Grade 7	\$352	\$440	\$484	\$572	\$704		
		-G8 Grade 8	\$412	\$515	\$567	\$670	\$824		
		-G9 Grade 9	\$484	\$605	\$666	\$787	\$968		
-G10 Grade 10	\$558	\$698	\$767	\$907	\$1,116				

Quick Looks



LN-OT-30D

Part Number
Configurator

LN – **OT** – **1** **2**

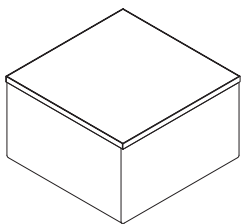
Required Selections

Component	Code	Description	18" Dia	24" Dia	30" Dia	36" Dia	42" Dia
1 Size	18	18" Square	\$1,538	-	-	-	-
	24	24" Square	-	\$1,726	-	-	-
	30	30" Square	-	-	\$1,920	-	-
	36	36" Square	-	-	-	\$2,150	-
	42	42" Square	-	-	-	-	\$2,475
2 Shape	S	Square	\$0	\$0	\$0	\$0	\$0

Fabric Selections

Component	Code	Description	18" Dia	24" Dia	30" Dia	36" Dia	42" Dia
3 Fabric Grade	-COM	Customers Own Material	\$0	\$0	\$0	\$0	\$0
		fabric requirements (yards):	2.25	2.75	3.00	3.50	4.25
	-G1	Grade 1	\$0	\$0	\$0	\$0	\$0
	-G2	Grade 2	\$68	\$83	\$90	\$105	\$128
	-G3	Grade 3	\$133	\$162	\$177	\$207	\$251
	-G4	Grade 4	\$198	\$242	\$264	\$308	\$374
	-G5	Grade 5	\$266	\$325	\$354	\$413	\$502
	-G6	Grade 6	\$331	\$404	\$441	\$515	\$625
	-G7	Grade 7	\$396	\$484	\$528	\$616	\$748
	-G8	Grade 8	\$464	\$567	\$618	\$721	\$876
	-G9	Grade 9	\$545	\$666	\$726	\$847	\$1,029
-G10	Grade 10	\$628	\$767	\$837	\$977	\$1,186	

Quick Looks



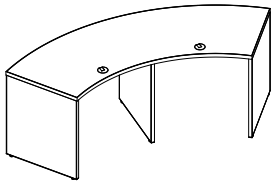
LN-OT-30S

Part Number
Configurator

LN – **ST** – **1** **2**

Required Selections						
Component	Code	Description	48" Radius	60" Radius	72" Radius	
1 Depth	24	24" Deep	\$2,500	\$2,500	\$2,500	
2 Radius	48	48" Radius	\$0	-	-	
	60	60" Radius	-	\$0	-	
	72	72" Radius	-	-	\$0	
3 Shape	OC	Outer Curve	\$0	\$0	\$0	
4 Island	I	Island	\$0	\$0	\$0	
5 Height	29	29" Table Height	\$0	\$0	\$0	

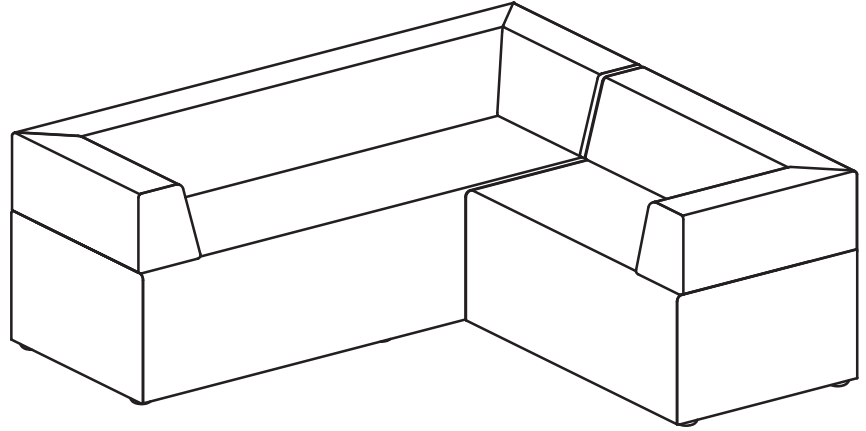
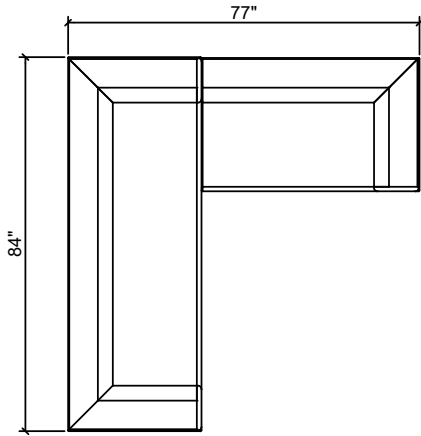
Quick Looks



LN-ST-3048OC-I-29

LN-001

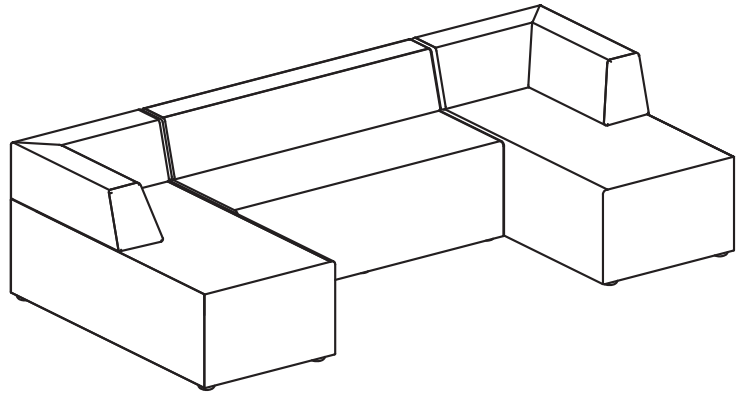
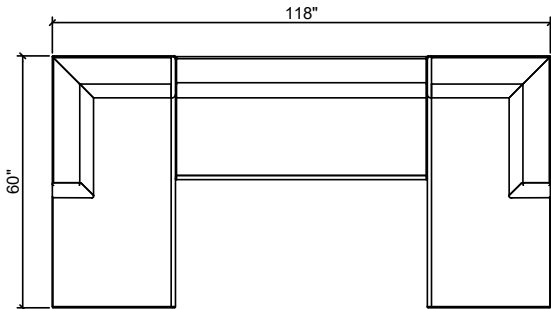
Total List \$7,754



Model Number	Qty	List	Extension
LN-LG-3084S-A2-G1	1	\$4,405	\$4,044
LN-LG-3060S-AR-G1	1	\$3,349	\$3,349

LN-002

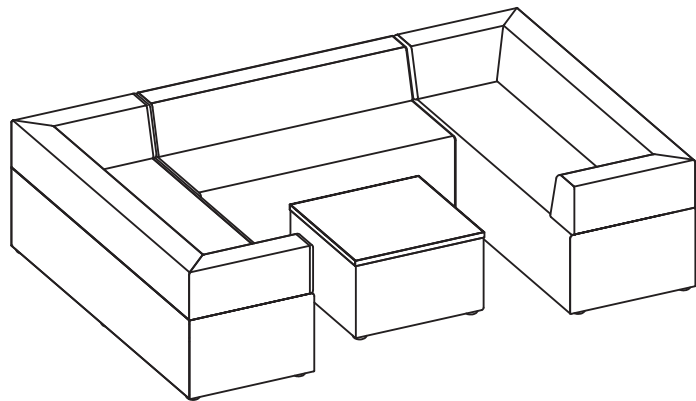
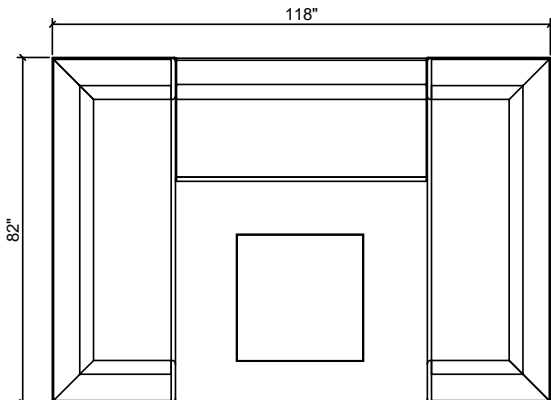
Total List \$9,686



Model Number	Qty	List	Extension
LN-LG-3060S-G1	1	\$2,987	\$2,987
LN-LG-3060S-HBR-AR-G1	1	\$3,349	\$3,349
LN-LG-3060S-HBL-AL-G1	1	\$3,349	\$3,349

LN-003

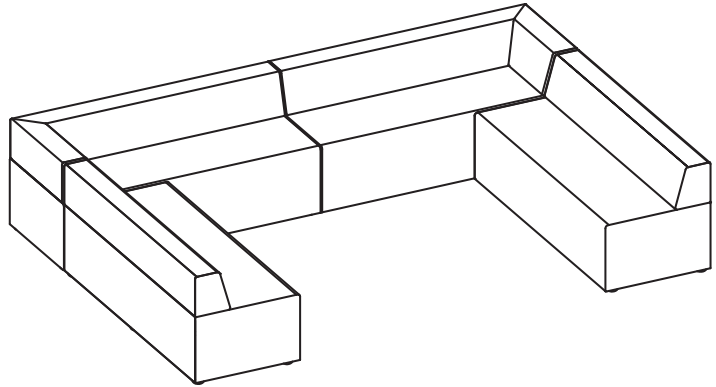
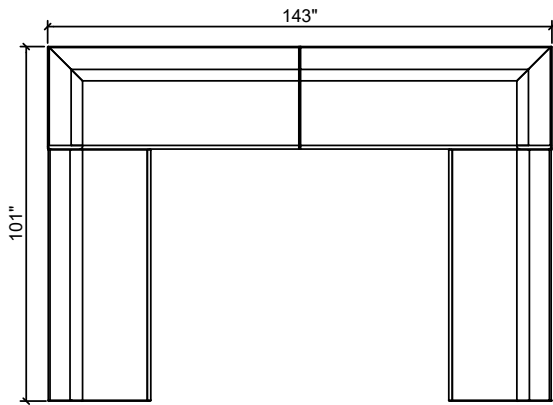
Total List \$13,718



Model Number	Qty	List	Extension
LN-LG-3060S-G1	1	\$2,987	\$2,987
LN-LG-3084S-A2-G1	2	\$4,504	\$8,088
LN-OT-30S-G1	1	\$1,920	\$1,920

LN-004

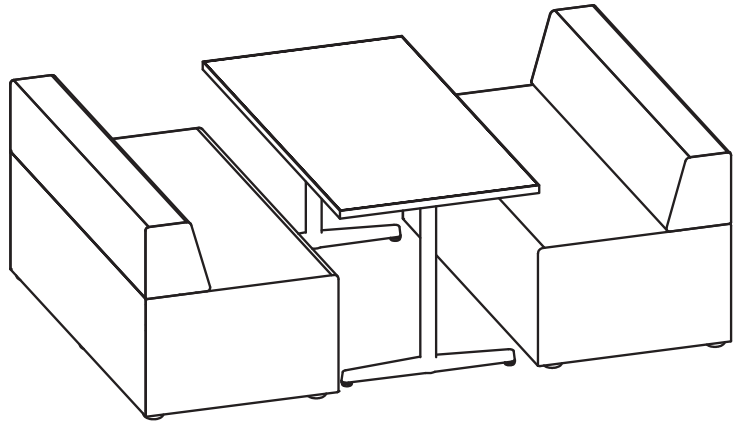
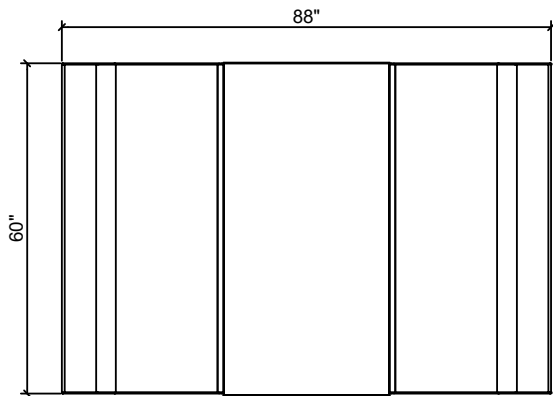
Total List \$13,671



Model Number	Qty	List	Extension
LN-LG-3072S-G1	2	\$3,237	\$6,474
LN-LG-3072S-AR-G1	1	\$3,599	\$3,599
LN-LG-3072S-AL-G1	1	\$3,599	\$3,599

LN-005

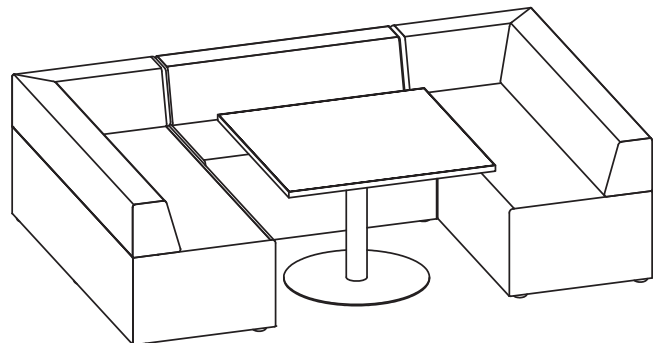
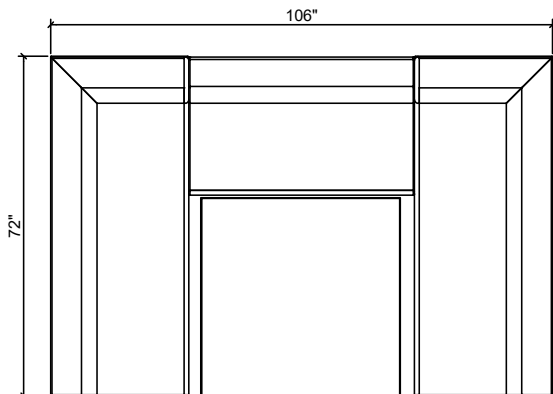
Total List \$7,829



Model Number	Qty	List	Extension
LN-LG-3060S-AR-G1	2	\$3,349	\$6,698
NA-ST-3060R-29-TB	1	\$1,131	\$1,131

LN-006

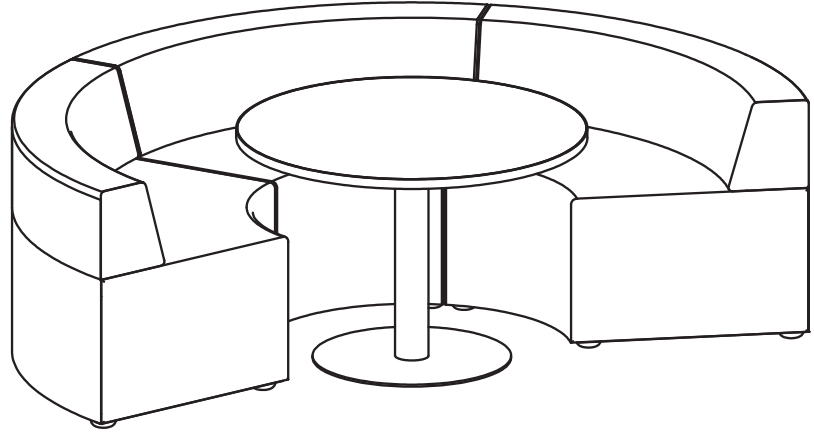
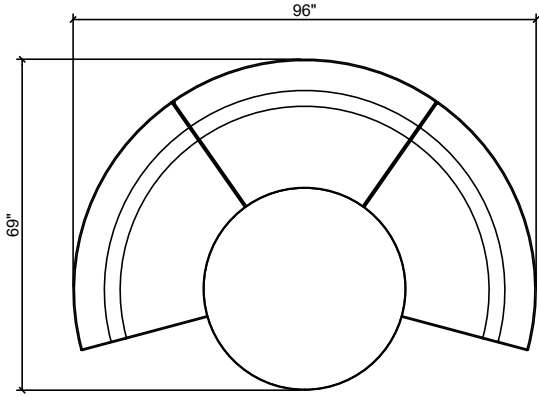
Total List \$11,022



Model Number	Qty	List	Extension
LN-LG-3048S-G1	1	\$2,282	\$2,282
LN-LG-3072S-AR-G1	1	\$3,599	\$3,599
LN-LG-3072S-AL-G1	1	\$3,599	\$3,599
NA-ST-42S-29-DB	1	\$1,542	\$1,542

LN-007

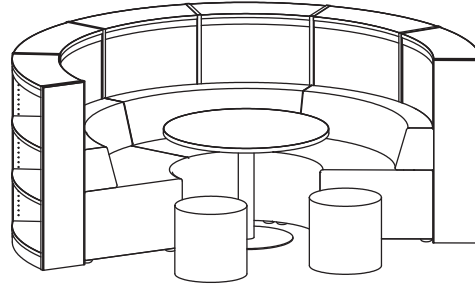
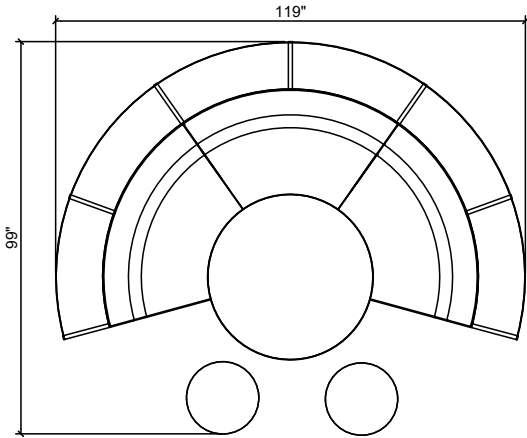
Total List \$9,151



Model Number	Qty	List	Extension
LN-LG-3048IC-G1	3	\$2,658	\$7,974
NA-ST-42D-29-DB	1	\$1,609	\$1,609

LN-008

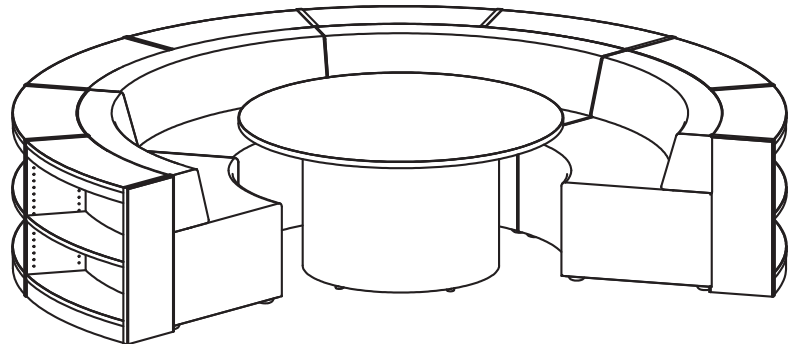
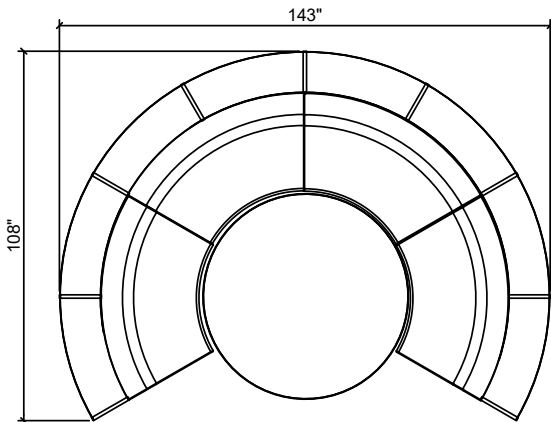
Total List \$22,461



Model Number	Qty	List	Extension
LN-LG-3048IC-G1	3	\$2,658	\$7,974
NA-ST-42D-29-DB	1	\$1,609	\$1,609
BE-LG-18D-18-G1	2	\$985	\$1,971
BL-SH-4812-R48BC-S	1	\$1,564	\$1,564
BL-SH-4812-R48BC-A	4	\$1,378	\$5,512
BL-SH-4812-R48BC-E	1	\$1,378	\$1,378

LN-009

Total List \$25,002



Model Number	Qty	List	Extension
LN-LG-3060IC-G1	4	\$2,658	\$10,632
BE-ST-60D-29-G1	1	\$2,290	\$2,290
BL-SH-3012-R60BC-S	1	\$1,175	\$1,666
BL-SH-3012-R60BC-A	6	\$1,054	\$6,324
BL-SH-3012-R60BC-E	1	\$1,054	\$1,054

Sentro

Price List

Effective 11/1/2023

Ordering Information	96
Specifications	97
Lounge	98



LIATfurniture.com

694 North Main Street · Troutman, NC 28166
TF 888 440 8205

LIAT 
LOUNGE

Use this checklist to be sure you have all of the necessary information to place your order.

Catalog Number

Use our build guides to create your catalog number.

Fabrics & Textiles

Please specify vendor, pattern name and pattern color. See page 12 for a complete list of LIAT Graded-In Fabrics.

Accessories

Contrasting Fabrics

When specifying contrasting upholstery, please clearly indicate which upholstery is to be applied to the seat, back and arms. Use the higher grade for pricing purposes.

Fabric Direction

Please specify any special applications instructions. If no special instructions are provided with the order, LIAT will upholster the fabric at our own discretion, typically "Up The Roll" with any stripes/pattern going from front to back.

COM Order Information

All COM orders must include the following:

- Vendor name, pattern name and pattern color.
- Sample of the fabric attached with the order.
- Any special application instructions.
- Ship prepaid COM to:

LIAT Furniture
ATTN: COM Upholstery
694 North Main Street
Troutman, NC 28166

COM Policy

All yardage requirements for COM are based upon 54" plain non-direction material. Additional yardage may be required based on repeat and matching. All COM requires pre-approval by LIAT. Use the guide at the bottom of this page to estimate the required yardage. LIAT takes no responsibility when additional materials must be ordered. LIAT takes no responsibility for tailoring, wear-ability or application of COM fabrics & textiles. Any warranty claims for COM fabrics & textiles will fall to the original vendor of the material.

COM Fabric Repeat Guide **Based on 54" wide roll**

Plain Fabric	1-5" Repeat	6-10" Repeat	11-15" Repeat	16-20" Repeat	21-30" Repeat	31-40" Repeat	41"+
0%	10%	15%	20%	25%	30%	40%	50%

Lounge

The lounge frames are constructed of puzzle cut 7/8" thick plytanium with locking dog bone joint construction that is glued and stapled. The frame is attached to a 4-leg swivel base.

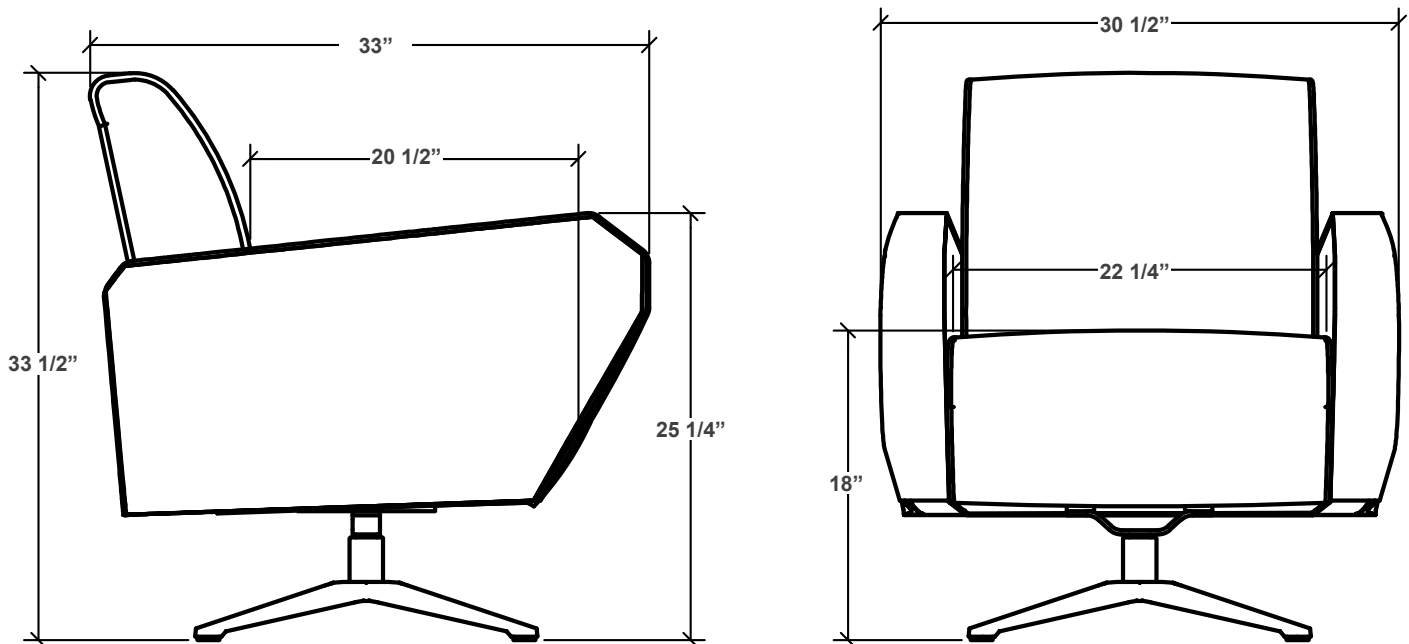
The seat uses 8 gauge no sag sinuous springs with 3-1/2" thick high density polyurethane foam.

The backs use 11 gauge no sag sinuous springs with 2-1/2" thick high density polyurethane foam.

Ottomans

The ottoman frames are constructed of puzzle cut 7/8" thick plytanium with locking dog bone joint construction that is glued and stapled. The frame is attached to a 4-leg swivel base.

The ottomans are covered with 2-1/2" thick high density polyurethane foam.



Part Number
Configurator

SE – **LG** – **1** **2** – **3**

Required Selections

Component	Code	Description	30" Wide
1 Depth	32	32" Deep	\$3,005
		shipping weight	90
2 Width	30	Single-Seat Lounge	\$0
3 Style	UB	Upholstered Back	\$0

Fabric Selections

Component	Code	Description	30" Wide
8 Fabric Grade	-COM	Customers Own Material	\$0
		fabric requirements:	5 yards
	-G1	Grade 1	\$0
	-G2	Grade 2	\$140
	-G3	Grade 3	\$280
	-G4	Grade 4	\$420
	-G5	Grade 5	\$560
	-G6	Grade 6	\$700
	-G7	Grade 7	\$840
	-G8	Grade 8	\$980
	-G9	Grade 9	\$1,210
	-G10	Grade 10	\$1,395

Quick Looks



SE-LG-3230-UB

Fabric Combination Options



Seat & Back 1 | Arms 2



Seat 1 | Back & Arms 2



Seat & Arms 1 | Back 2

Part Number
Configurator

SE – **LG** – **1** **2** – **3**

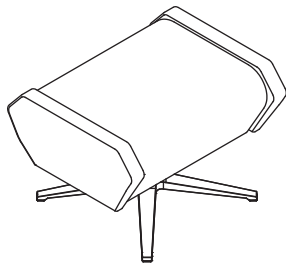
Required Selections

Component	Code	Description	28" Wide
1 Depth	23	23" Deep	\$2,066
		shipping weight	30
2 Width	28	Single-Seat Lounge	\$0
3 Style	OM	Ottoman	\$0

Fabric Selections

Component	Code	Description	28" Wide
5 Fabric Grade	-COM	Customers Own Material	\$0
		fabric requirements:	2 yards
	-G1	Grade 1	\$0
	-G2	Grade 2	\$56
	-G3	Grade 3	\$112
	-G4	Grade 4	\$168
	-G5	Grade 5	\$224
	-G6	Grade 6	\$280
	-G7	Grade 7	\$336
	-G8	Grade 8	\$392
	-G9	Grade 9	\$484
	-G10	Grade 10	\$558

Quick Looks



SE-LG-2328-OM

Fabric Combination Option



Seat & Back 1 | Arms 2

Shelby

Price List

Effective 11/1/2023

Ordering Information	101
Specifications	102
Lounge	105
Carrels	107
Returns	108
Typicals	109



LIATfurniture.com

694 North Main Street · Troutman, NC 28166
TF 888 440 8205

LIAT 
LOUNGE

Use this checklist to be sure you have all of the necessary information to place your order.

Catalog Number

Use our build guides to create your catalog number.

Fabrics & Textiles

Please specify vendor, pattern name and pattern color. See page 12 for a complete list of LIAT Graded-In Fabrics.

PET Felt

See page 11 for a complete list of available PET Felt color options.

Laminate Selection

Standard Wilsonart or Formica. Please specify manufacturer, color, finish and model number.

PVC Edge Band

See page 8 for a complete list of standard LIAT PVC Edge Band options.

Accessories

Contrasting Fabrics

When specifying contrasting upholstery, please clearly indicate which upholstery is to be applied to the seat, back and arms. Use the higher grade for pricing purposes.

Fabric Direction

Please specify any special applications instructions. If no special instructions are provided with the order, LIAT will upholster the fabric at our own discretion, typically "Up The Roll" with any stripes/pattern going from front to back.

COM Order Information

All COM orders must include the following:

- Vendor name, pattern name and pattern color.
- Sample of the fabric attached with the order.
- Any special application instructions.
- Ship prepaid COM to:

*LIAT Furniture
ATTN: COM Upholstery
694 North Main Street
Troutman, NC 28166*

COM Policy

All yardage requirements for COM are based upon 54" plain non-direction material. Additional yardage may be required based on repeat and matching. All COM requires pre-approval by LIAT. Use the guide at the bottom of this page to estimate the required yardage. LIAT takes no responsibility when additional materials must be ordered. LIAT takes no responsibility for tailoring, wear-ability or application of COM fabrics & textiles. Any warranty claims for COM fabrics & textiles will fall to the original vendor of the material.

COM Fabric Repeat Guide ***Based on 54" wide roll***

Plain Fabric	1-5" Repeat	6-10" Repeat	11-15" Repeat	16-20" Repeat	21-30" Repeat	31-40" Repeat	41"+
0%	10%	15%	20%	25%	30%	40%	50%

Lounge

The lounge frames are constructed of puzzle cut 7/8" thick plytanium with locking dog bone joint construction that is glued and stapled.

The surround is wrapped in a Dacron wrap and fully upholstered. The surround is offered in a low (25" high) height and a high (32" high) height.

The seat is strapped with 3" Dymetrol elastic webbing and 3" thick high density polyurethane foam with a 1/2" Dacron topper.

The backs are strapped with 3" Dymetrol elastic webbing and 2" thick high density polyurethane foam.

The arm cap is constructed of 1" thick particle board core with high pressure laminate on the exposed face and a backer sheet on the bottom face.

Removable tablet arms are available in both right side facing and left side facing, and are constructed of 1" thick particle board core with high pressure laminate on the exposed face and a backer sheet on the bottom face. Tablet arms revolve 360 degrees. Tablet arms are not designed to be used for sitting, leaning, or supporting heavy objects. Good judgment of use and risk of breakage will be your responsibility.

Returns

The return frames are constructed of puzzle cut 7/8" thick plytanium with locking dog bone joint construction that is glued and stapled. The returns are wrapped in a Dacron wrap and fully upholstered. The returns are offered in a low (25" high) height and a high (32" high) height. The returns can be a half width return or a full width return. The returns are available in both right side facing and left side facing options, and must match the arm/tablet side of the lounge it is paired with.

Carrels

The carrel frames are constructed of puzzle cut 7/8" thick plytanium with locking dog bone joint construction that is glued and stapled. The carrel surrounds are wrapped in a Dacron wrap and fully upholstered. The carrel surround is only offered in the high (32" high) height, with a 29" high work surface. The top is constructed of 1" thick particle board core with high pressure laminate on the exposed face and a backer sheet on the bottom face.

Dividers

Shelby products can include 18" high dividers constructed out of either 1/4" thick clear acrylic frosted on both sides, or 3/8" thick PET felt. Both divider styles attach to the surround frames with glass clamps and screws.

Power

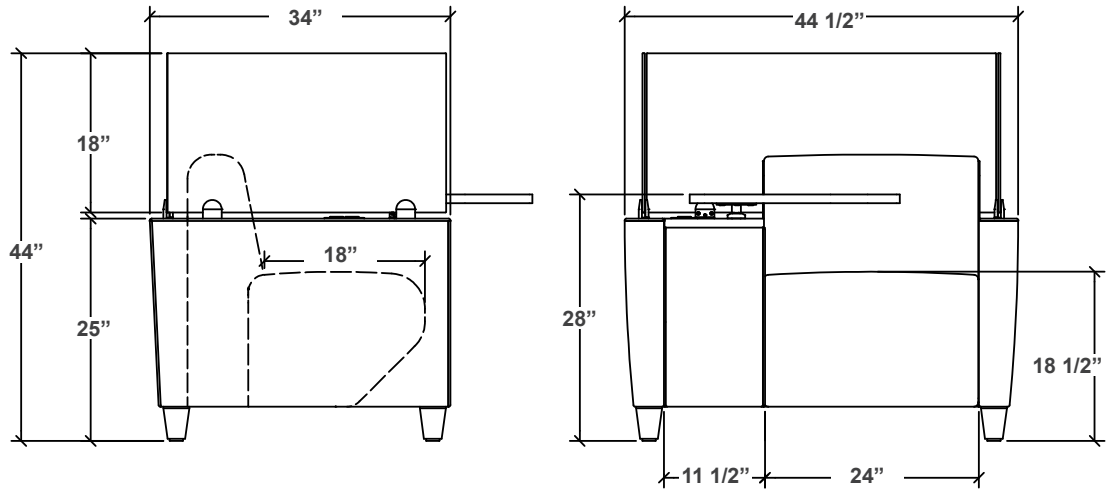
The standard built-in power upgrade option shall be an all metal screw mounted flush face power and charging solution with 1 power and 2 USB 2.1A charging ports with a 72" cord length, constructed with 12A, 120 VAC spill resistant receptacles. The unit shall be finished in a Metallic Silver powder coat. The power option is available with both the Den and the Carrel product groups.

Light / Power Combo

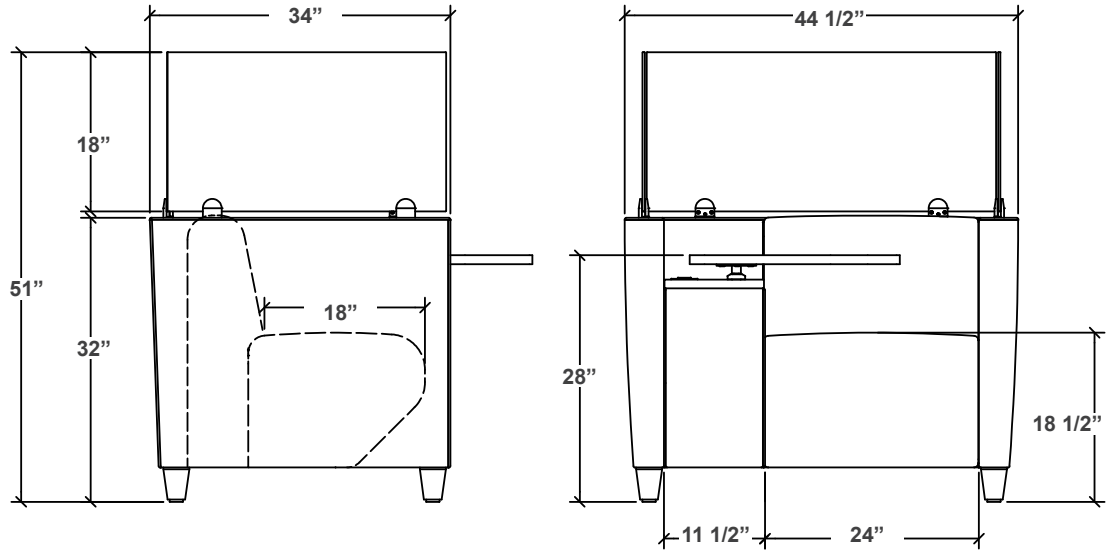
The standard built-in light/ power upgrade option shall be an all metal flush mounted light and power charging solution with 1 power and 2 USB 2.1A charging ports with a 72" cord length, constructed with 12A, 120 VAC spill resistant receptacles. The unit shall be finished in a Matte White powder coat. The light is of telescoping 'antenna style' design that collapses into the work surface when not in use providing a flush mount storage. The lights include 6 LEDs (Light Emitting Diodes) at a color temperature of 3,500 Kelvin and CRI (color rendering index) of 80. The lights have a rated life of 35,000 hours of use with an efficacy of 88.59 lumens/watt and a total light output of up to 660 lumens (110 lumens/LED). The light/power combo option is only available with the Carrel product group.

Part Number
Configurator

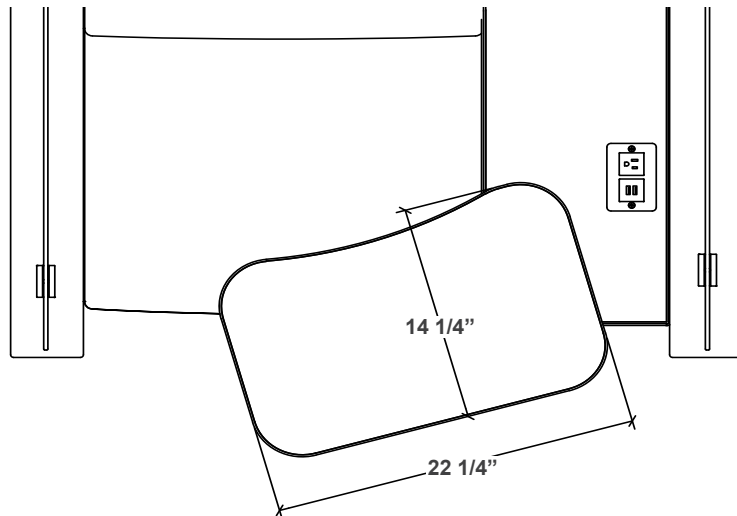
Lounge
Low Surround



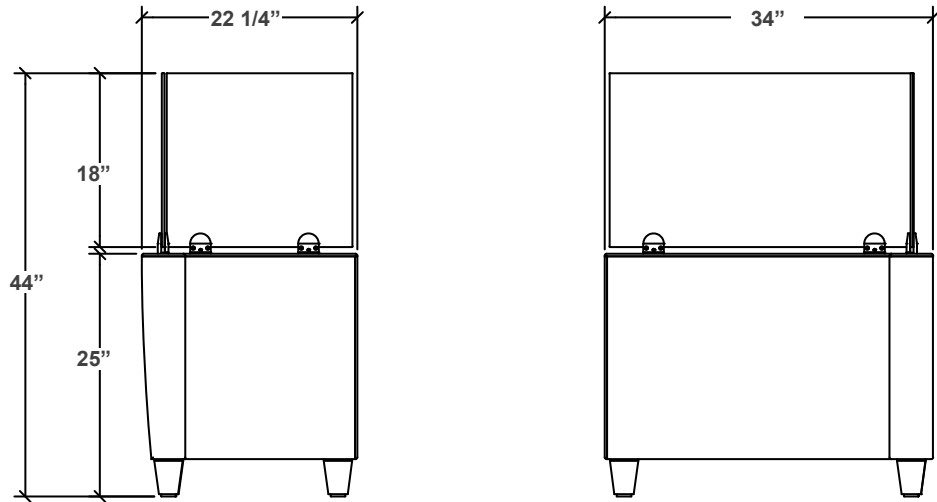
Lounge
High Surround



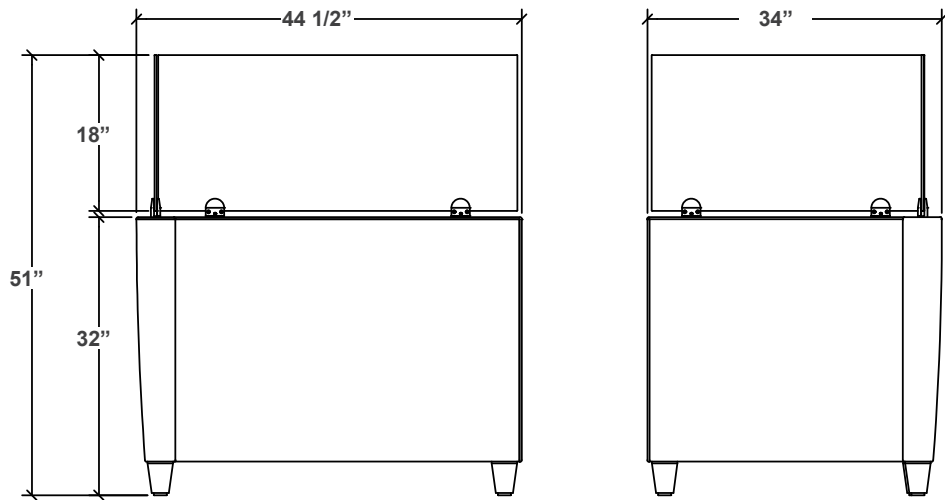
Lounge
Tablet Arm



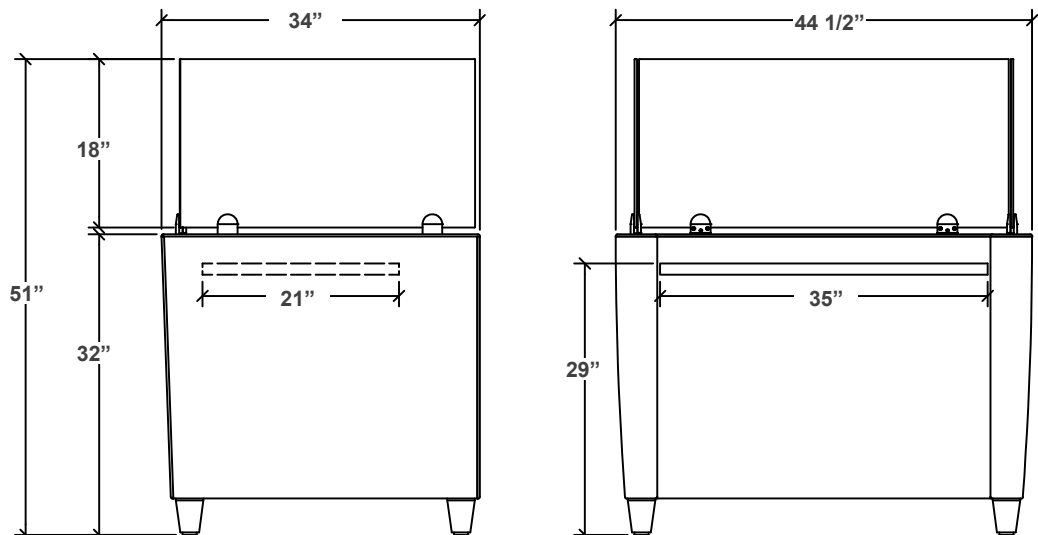
Half Return
Low Surround



Full Return
High Surround



Carrel
High Surround



Part Number
Configurator

SY – **LG** – **1** – **2** – **3** – **4** – **5**

Required Selections

Component	Code	Description	45" Wide
1 Depth	34	34" Deep	\$4,532
			unit weight 125 lbs
2 Width	45	45" Wide	\$0
3 Product Style	UB	Upholstered Back	\$0
	LS	Low Surround	\$0
4 Surround Height	HS	High Surround	\$0
			high surround unit weight + 20 lbs
5 Tablet Style	XTL	No Tablet, Left Side Facing	\$0
	XTR	No Tablet, Right Side Facing	\$0
	TAL	Tablet Arm, Left Side Facing	\$409
	TAR	Tablet Arm, Right Side Facing	\$409
			tablet arm unit weight + 5 lbs

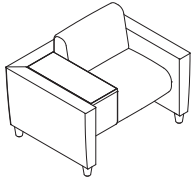
Available Upgrades

Component	Code	Description	45" Wide
6 Divider	-AD	Acrylic Divider	\$1,317
	-FD	PET Felt Divider	\$1,203
			unit weight + 5 lbs
7 Power	-P	Power (Silver)	\$498

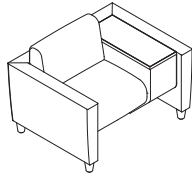
Fabric Selections

Component	Code	Description	45" Wide
8 Fabric Grade	-COM	Customers Own Material	\$0
			fabric requirements: 10.5 yards
	-G1	Grade 1	\$0
	-G2	Grade 2	\$315
	-G3	Grade 3	\$620
	-G4	Grade 4	\$924
	-G5	Grade 5	\$1,239
	-G6	Grade 6	\$1,544
	-G7	Grade 7	\$1,848
	-G8	Grade 8	\$2,163
	-G9	Grade 9	\$2,541
-G10	Grade 10	\$2,930	

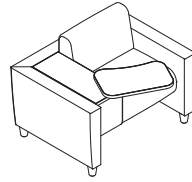
Quick Looks



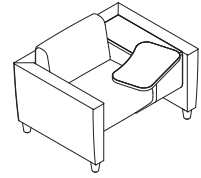
SY-LG-3445UB-LS-XTL



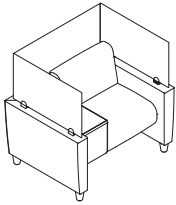
SY-LG-3445UB-LS-XTR



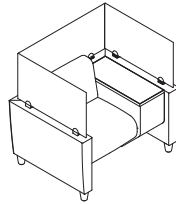
SY-LG-3445UB-LS-TAL



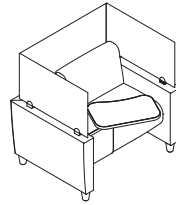
SY-LG-3445UB-LS-TAR



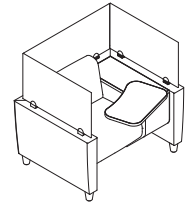
SY-LG-3445UB-LS-XTL-AD



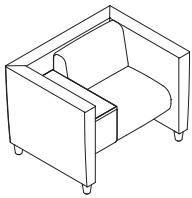
SY-LG-3445UB-LS-XTR-AD



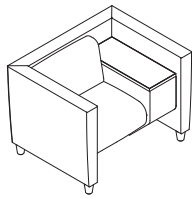
SY-LG-3445UB-LS-TAL-AD



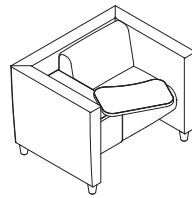
SY-LG-3445UB-LS-TAR-AD



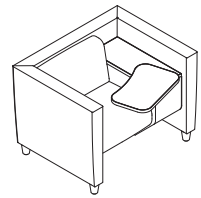
SY-LG-3445UB-HS-XTL



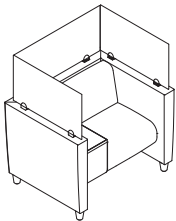
SY-LG-3445UB-HS-XTR



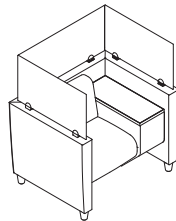
SY-LG-3445UB-HS-TAL



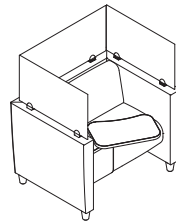
SY-LG-3445UB-HS-TAR



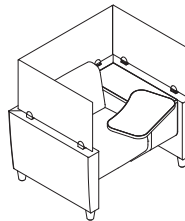
SY-LG-3445UB-HS-XTL-AD



SY-LG-3445UB-HS-XTR-AD



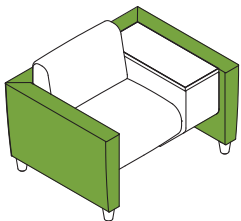
SY-LG-3445UB-HS-TAL-AD



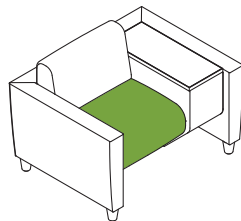
SY-LG-3445UB-HS-TAR-AD

Fabric Selection Zones

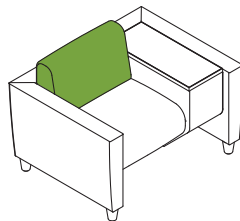
NOTE: Each of the 4 zones can be the same or a different fabric from the others.



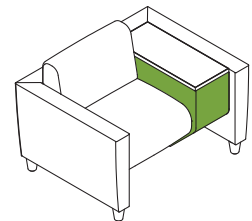
Zone 1: Surround



Zone 2: Seat

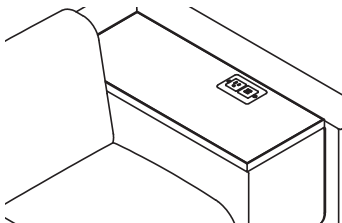


Zone 3: Back



Zone 4: Arm

Power Location



Part Number
Configurator

SY – **CA** – **1** **2** **3** – **4**

Required Selections

Component	Code	Description	45" Wide
1 Depth	34	34" Deep	\$3,577
			unit weight 75 lbs
2 Width	45	45" Wide	\$0
3 Top Shape	R	Rectangle Top	\$0
	S	Scalloped Top	\$90
4 Top Height	29	29" High	\$0
5 Surround Height	HS	High Surround	\$0

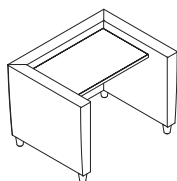
Available Upgrades

Component	Code	Description	45" Wide
6 Divider	-AD	Acrylic Divider	\$1,317
	-FD	PET Felt Divider	\$1,203
			unit weight + 5 lbs
7 Power	-P	Power (Silver)	\$498
	-L	Light/Power Combo (White)	\$843

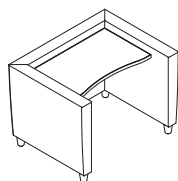
Fabric Selections

Component	Code	Description	45" Wide	
8 Fabric Grade	-COM	Customers Own Material	\$0	
				fabric requirements: 6.5 yards
	-G1	Grade 1	\$0	
	-G2	Grade 2	\$195	
	-G3	Grade 3	\$384	
	-G4	Grade 4	\$572	
	-G5	Grade 5	\$767	
	-G6	Grade 6	\$956	
	-G7	Grade 7	\$1,144	
	-G8	Grade 8	\$1,339	
	-G9	Grade 9	\$1,573	
-G10	Grade 10	\$1,814		

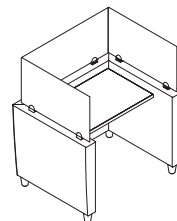
Quick Looks



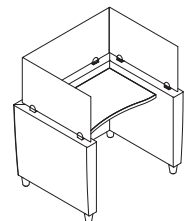
SY-CA-3445R-HS



SY-CA-3445S-HS



SY-CA-3445R-HS-AD



SY-CA-3445S-HS-AD

Part Number
Configurator

SY – **LG** – **1** **2** **3**

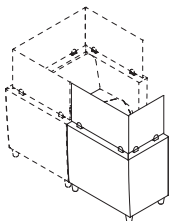
Required Selections				
Component	Code	Description	45" Wide	
1 Depth	34	34" Deep		\$1,861
			unit weight	35 lbs
2 Width	45	45" Wide		\$0
3 Product Style	HRL	Half Return, Left Side Facing		\$0
	HRR	Half Return, Right Side Facing		\$0
	FRL	Full Return, Left Side Facing		\$264
	FRR	Full Return, Right Side Facing		\$264
	full return weight			+ 15 lbs
4 Surround Height	LS	Low Surround		\$0
	HS	High Surround		\$0
			high surround unit weight	+ 15 lbs

Available Upgrades				
Component	Code	Description	45" Wide	
5 Divider	-AD	Acrylic Divider		\$1,045
	-FD	PET Felt Divider		\$954
	unit weight			+ 5 lbs

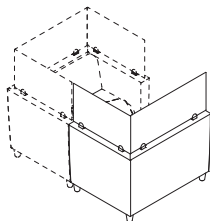
Fabric Selections				
Component	Code	Description	45" Wide	
6 Fabric Grade	-COM	Customers Own Material		\$0
			fabric requirements:	5.75 yards
	-G1	Grade 1		\$0
	-G2	Grade 2		\$173
	-G3	Grade 3		\$339
	-G4	Grade 4		\$506
	-G5	Grade 5		\$679
	-G6	Grade 6		\$845
	-G7	Grade 7		\$1,012
	-G8	Grade 8		\$1,185
	-G9	Grade 9		\$1,392
-G10	Grade 10		\$1,604	

Quick Looks

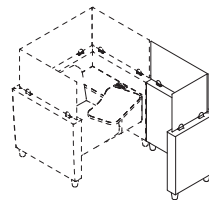
NOTE: Includes return only, lounge (dotted line) shown for representational purposes.



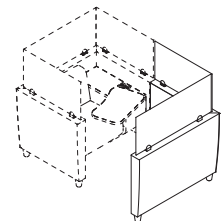
SY-LG-3445HRL-HS-AD



SY-LG-3445FRL-HS-AD



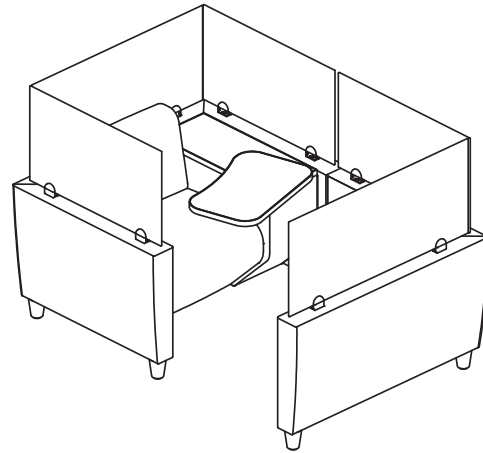
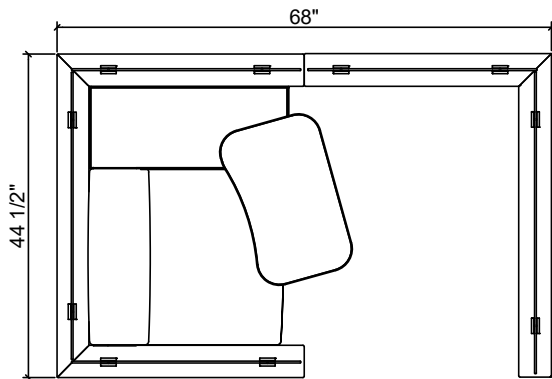
SY-LG-3445HRR-HS-AD



SY-LG-3445FRR-HS-AD

SY-001

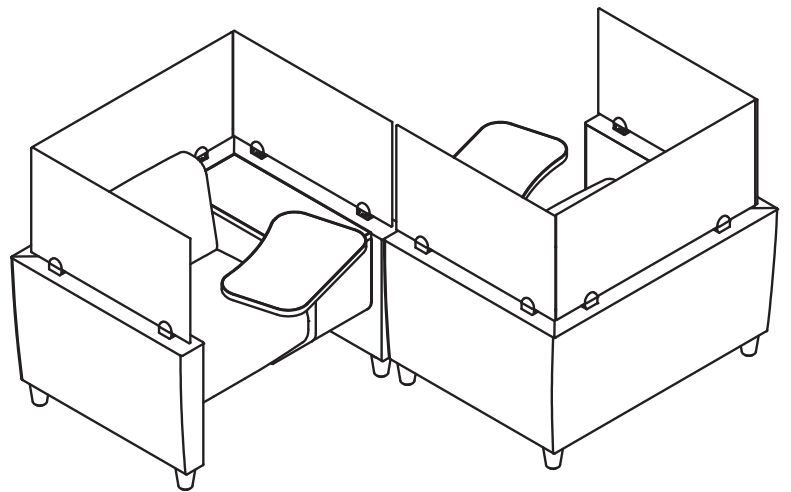
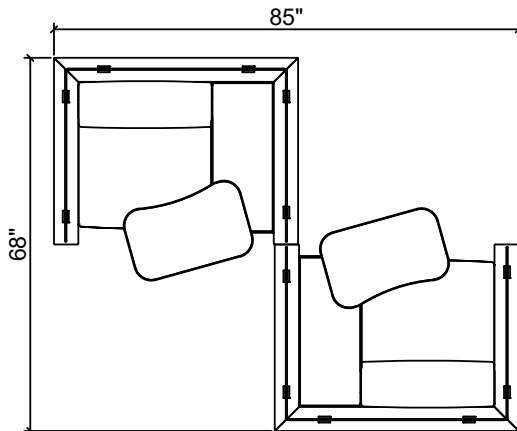
Total List \$9,428



Model Number	Qty	List	Extension
SY-LG-3445UB-LS-TAR-AD-G1	1	\$6,258	\$6,258
SY-LG-3445FRR-LS-AD-G1	1	\$3,170	\$3,170

SY-002

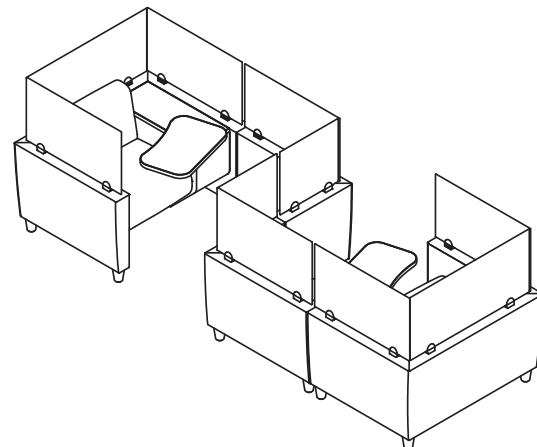
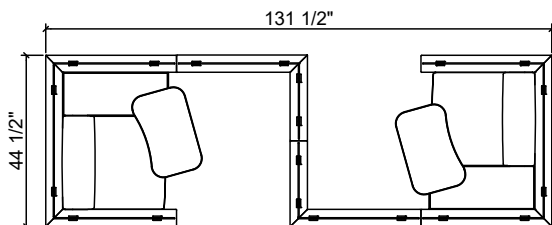
Total List \$12,516



Model Number	Qty	List	Extension
SY-LG-3445UB-LS-TAR-AD-G1	2	\$6,258	\$12,516

SY-003

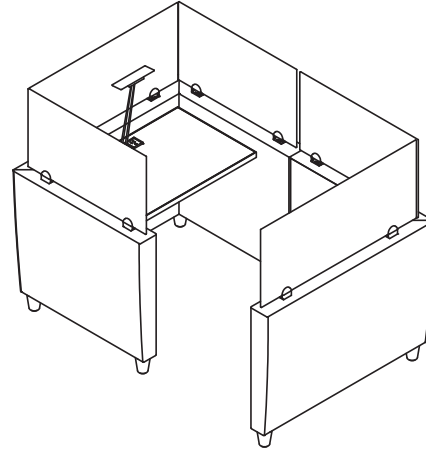
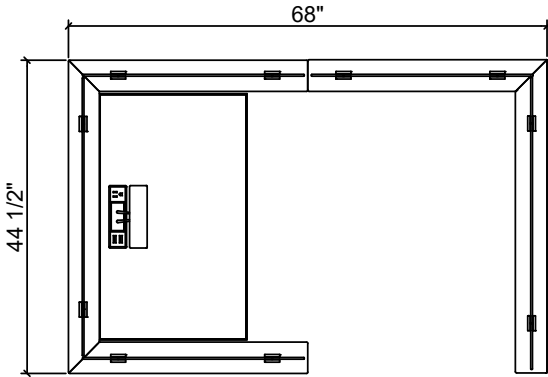
Total List \$18,328



Model Number	Qty	List	Extension
SY-LG-3445UB-LS-TAR-AD-G1	2	\$6,258	\$12,516
SY-LG-3445HRR-LS-AD-G1	2	\$2,906	\$5,816

SY-004

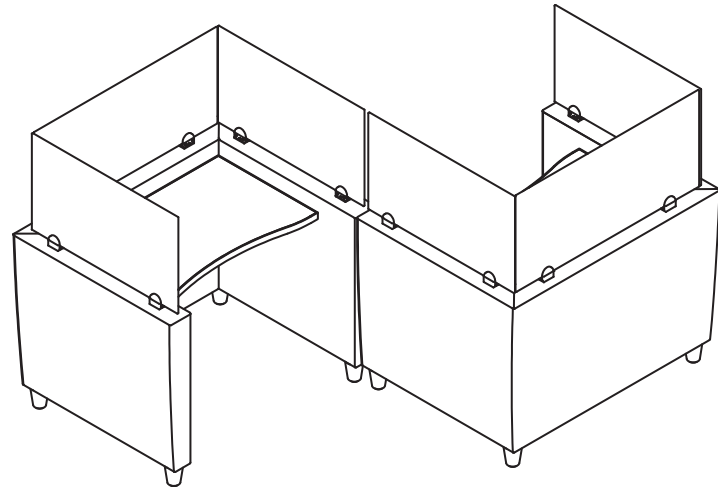
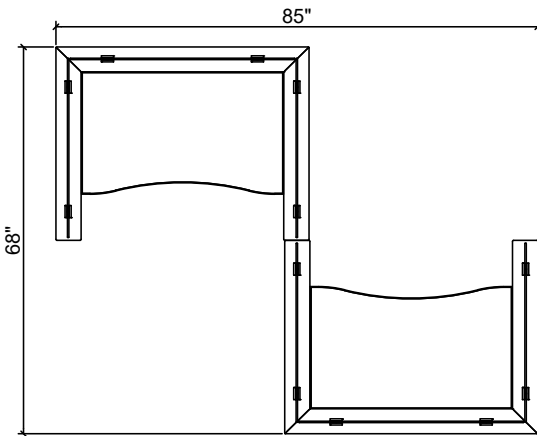
Total List \$8,907



Model Number 29" H	Qty	List	Extension
SY-CA-3445R-HS-AD-L-G1	1	\$5,737	\$5,737
SY-LG-3445FRR-LS-AD-G1	1	\$3,170	\$3,170

SY-005

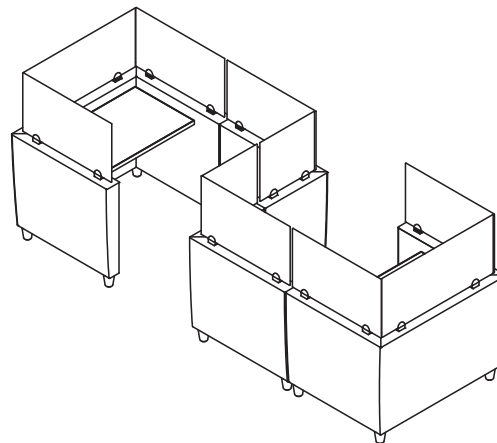
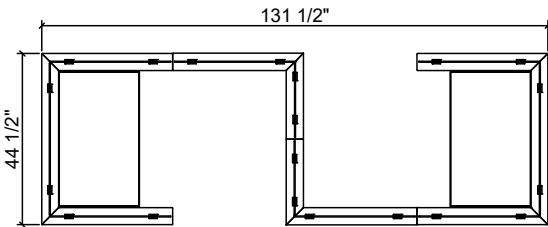
Total List \$9,968



Model Number 29" H	Qty	List	Extension
SY-CA-3445S-HS-AD-G1	2	\$4,984	\$9,968

SY-006

Total List \$15,600



Model Number	Qty	List	Extension
SY-CA-3445R-HS-AD-G1	2	\$4,894	\$9,788
SY-LG-3445HRR-LS-AD-G1	2	\$2,906	\$5,812

Tahoe

Price List

Effective 11/1/2023

Ordering Information	112
Specifications	113
Lounge	114
Occasional Tables	120
Typicals	123



LIATfurniture.com

694 North Main Street · Troutman, NC 28166
TF 888 440 8205

LIAT 
LOUNGE

Use this checklist to be sure you have all of the necessary information to place your order.

Catalog Number

Use our build guides to create your catalog number.

Fabrics & Textiles

Please specify vendor, pattern name and pattern color. See page 12 for a complete list of LIAT Graded-In Fabrics.

Accessories

Contrasting Fabrics

When specifying contrasting upholstery, please clearly indicate which upholstery is to be applied to the seat, back and arms. Use the higher grade for pricing purposes.

Fabric Direction

Please specify any special applications instructions. If no special instructions are provided with the order, LIAT will upholster the fabric at our own discretion, typically "Up The Roll" with any stripes/pattern going from front to back.

COM Order Information

All COM orders must include the following:

- Vendor name, pattern name and pattern color.
- Sample of the fabric attached with the order.
- Any special application instructions.
- Ship prepaid COM to:

LIAT Furniture
ATTN: COM Upholstery
694 North Main Street
Troutman, NC 28166

COM Policy

All yardage requirements for COM are based upon 54" plain non-direction material. Additional yardage may be required based on repeat and matching. All COM requires pre-approval by LIAT. Use the guide at the bottom of this page to estimate the required yardage. LIAT takes no responsibility when additional materials must be ordered. LIAT takes no responsibility for tailoring, wear-ability or application of COM fabrics & textiles. Any warranty claims for COM fabrics & textiles will fall to the original vendor of the material.

COM Fabric Repeat Guide **Based on 54" wide roll**

Plain Fabric	1-5" Repeat	6-10" Repeat	11-15" Repeat	16-20" Repeat	21-30" Repeat	31-40" Repeat	41"+
0%	10%	15%	20%	25%	30%	40%	50%

Lounge

The lounge frames are constructed of puzzle cut 7/8" thick plytanium with locking dog bone joint construction that is glued and staples.

The seat is strapped with 3" Dymetrol elastic webbing and 3" thick high density polyurethane foam with a 1/2" Dacron topper.

The backs are strapped with 3" Dymetrol elastic webbing and 2" thick high density polyurethane foam.

Occasional Tables

The occasional tables are constructed of 1" thick particle board core with high pressure laminate on both faces and a 3mm PVC external band on all visible edges. There is an inset panel on either side of the table.

Top Cushions & Fabric Inset Panels

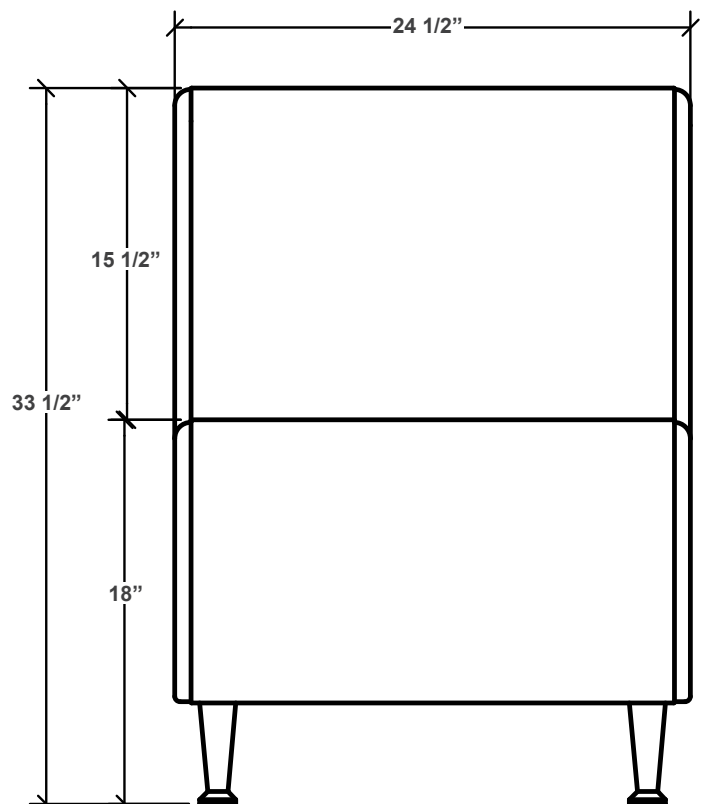
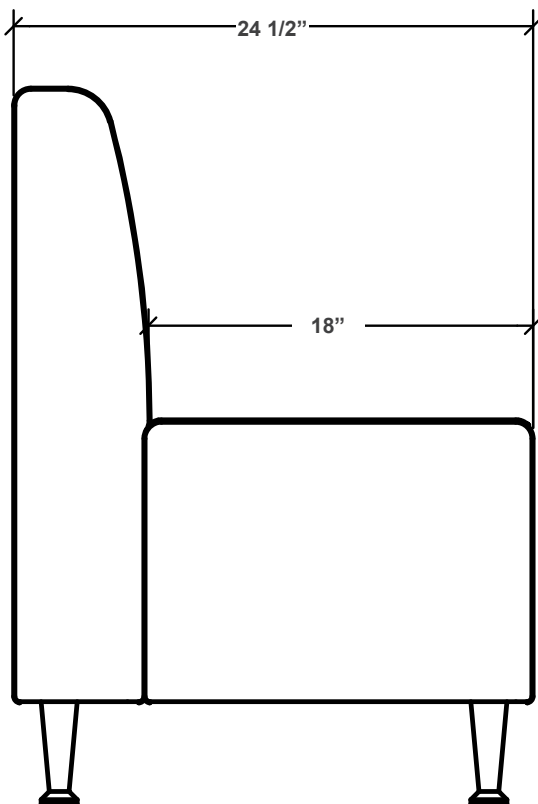
The top cushions and fabric inset panels attach to the occasional tables by means of dual-lock tape.

Metal Legs

The metal legs are constructed of 1-11/16" diameter turned aluminum, and shall be 4-3/4" long with a polished finish and a felt bottom.

Electrical / Power

The standard built-in power upgrade option shall be an all metal flush clamp mounted power and charging solution with 2 power and 2 USB 2.1A charging ports and a 108" cord length, constructed with 12A, 120 VAC spill resistant receptacles.



Part Number
Configurator

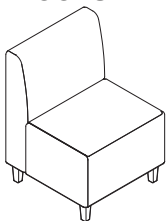
TA - **LG** - **1** **2** **3** - **4** - **5**

Required Selections					
Component	Code	Description	24" Wide	48" Wide	72" Wide
1 Depth	24	24" Deep	\$1,717	\$2,511	\$3,204
			unit weight	45 lbs	55 lbs
2 Width	24	Single-Seat Lounge	\$0	-	-
	48	Two-Seat Lounge	-	\$0	-
	72	Three-Seat Lounge	-	-	\$0
3 Shape	S	Single Face Straight	\$0	\$0	\$0
4 Back Style	UB	Upholstered Back	\$0	\$0	\$0
5 Leg Style	ML	Metal Legs	\$0	\$0	\$0
	CA	Casters	\$180	\$180	\$270

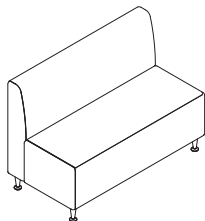
Available Upgrades					
Component	Code	Description	24" Wide	48" Wide	72" Wide
6 Divider	-AP	Acrylic Panel	\$808	\$1,294	\$1,454

Fabric Selections						
Component	Code	Description	24" Wide	48" Wide	72" Wide	
7 Fabric Grade	-COM	Customers Own Material	\$0	\$0	\$0	
			fabric requirements:	3 yards	6 yards	9 yards
	-G1	Grade 1	\$0	\$0	\$0	
	-G2	Grade 2	\$90	\$180	\$270	
	-G3	Grade 3	\$177	\$354	\$531	
	-G4	Grade 4	\$264	\$528	\$792	
	-G5	Grade 5	\$354	\$708	\$1,062	
	-G6	Grade 6	\$441	\$882	\$1,323	
	-G7	Grade 7	\$528	\$1,056	\$1,584	
	-G8	Grade 8	\$618	\$1,236	\$1,854	
	-G9	Grade 9	\$726	\$1,452	\$2,178	
-G10	Grade 10	\$837	\$1,674	\$2,511		

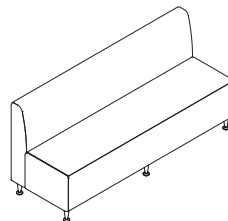
Quick Looks



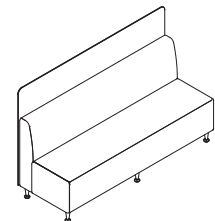
TA-LG-2424S-UB-WL



TA-LG-2448S-UB-ML

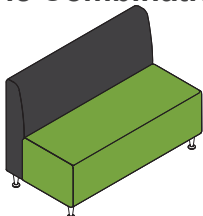


TA-LG-2472S-UB-ML

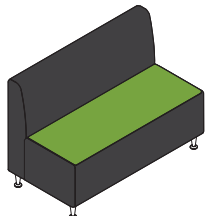


TA-LG-2472S-UB-ML-AP

Fabric Combination Options



Back 1 | Seat 2



Main 1 | Seat Top 2

Part Number
Configurator

TA - **LG** - **1** - **2** - **3** - **4** - **5**

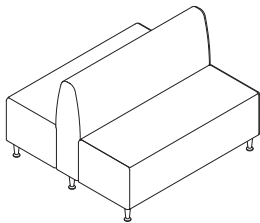
Required Selections

Component	Code	Description	24" Wide	48" Wide	72" Wide
1 Depth	24	24" Deep	\$3,349	\$4,220	\$5,261
			unit weight	45 lbs	55 lbs
2 Width	24	Single-Seat Lounge	\$0	-	-
	48	Two-Seat Lounge	-	\$0	-
	72	Three-Seat Lounge	-	-	\$0
3 Shape	D	Double Face Straight	\$0	\$0	\$0
4 Back Style	UB	Upholstered Back	\$0	\$0	\$0
5 Leg Style	ML	Metal Legs	\$0	\$0	\$0
	CA	Casters	\$270	\$270	\$404

Fabric Selections

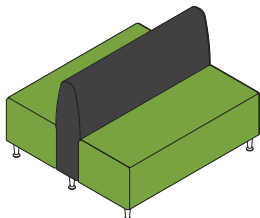
Component	Code	Description	24" Wide	48" Wide	72" Wide	
6 Fabric Grade	-COM	Customers Own Material	\$0	\$0	\$0	
			fabric requirements:	5 yards	9 yards	13 yards
	-G1	Grade 1	\$0	\$0	\$0	
	-G2	Grade 2	\$150	\$270	\$390	
	-G3	Grade 3	\$295	\$531	\$767	
	-G4	Grade 4	\$440	\$792	\$1,144	
	-G5	Grade 5	\$590	\$1,062	\$1,534	
	-G6	Grade 6	\$735	\$1,323	\$1,911	
	-G7	Grade 7	\$880	\$1,584	\$2,288	
	-G8	Grade 8	\$1,030	\$1,854	\$2,678	
	-G9	Grade 9	\$1,210	\$2,178	\$3,146	
-G10	Grade 10	\$1,395	\$2,511	\$3,627		

Quick Looks

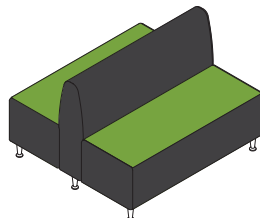


TA-LG-2448D-UB-ML

Fabric Combination Options



Back 1 | Seat 2



Main 1 | Seat Top 2

Part Number
Configurator

TA – **LG** – **1** **2** **3** – **4** – **5**

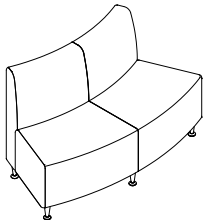
Required Selections

Component	Code	Description	45 Degree	90 Degree
1 Depth	24	24" Deep	\$3,003	\$3,165
			unit weight	60 lbs
2 Angle	45	45 Degree	\$0	-
	90	90 Degree	-	\$0
3 Curve Type	OC	Outer Curve	\$0	-
		-Outer curve only available on 45 degree units		
	IC	Inner Curve	-	\$0
		-Inner curve only available on 90 degree units		
4 Back Style	UB	Upholstered Back	\$0	\$0
5 Leg Style	ML	Metal Legs	\$0	\$0
	CA	Casters	\$225	\$225

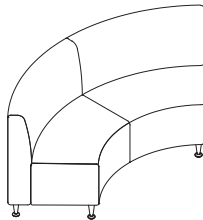
Fabric Selections

Component	Code	Description	45 Degree	90 Degree
6 Fabric Grade	-COM	Customers Own Material	\$0	\$0
			fabric requirements:	9 yards
	-G1	Grade 1	\$0	\$0
	-G2	Grade 2	\$270	\$270
	-G3	Grade 3	\$531	\$531
	-G4	Grade 4	\$792	\$792
	-G5	Grade 5	\$1,062	\$1,062
	-G6	Grade 6	\$1,323	\$1,323
	-G7	Grade 7	\$1,584	\$1,584
	-G8	Grade 8	\$1,854	\$1,854
	-G9	Grade 9	\$2,178	\$2,178
	-G10	Grade 10	\$2,511	\$2,511

Quick Looks

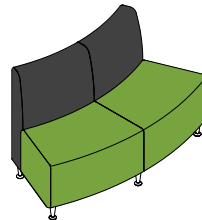


TA-LG-2445OC-UB-ML

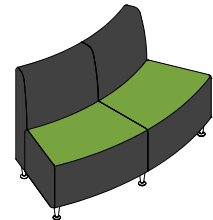


TA-LG-2490IC-UB-ML

Fabric Combination Options



Back 1 | Seat 2



Main 1 | Seat Top 2

Part Number
Configurator

TA - **LG** - **1** - **2** - **3** - **4** - **5**

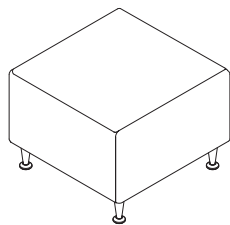
Required Selections

Component	Code	Description	24" Wide	48" Wide	72" Wide
1 Depth	24	24" Deep	\$1,267	\$1,682	\$2,166
		unit weight	25 lbs	45 lbs	65 lbs
2 Width	24	Single-Seat Lounge	\$0	-	-
	48	Two-Seat Lounge	-	\$0	-
	72	Three-Seat Lounge	-	-	\$0
3 Shape	S	Straight	\$0	\$0	\$0
4 Back Style	NB	No Back	\$0	\$0	\$0
5 Leg Style	ML	Metal Legs	\$0	\$0	\$0
	CA	Casters	\$180	\$180	\$270

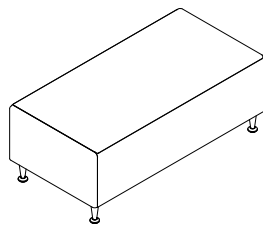
Fabric Selections

Component	Code	Description	24" Wide	48" Wide	72" Wide
6 Fabric Grade	-COM	Customers Own Material	\$0	\$0	\$0
		fabric requirements:	1.75 yards	2.5 yards	4 yards
	-G1	Grade 1	\$0	\$0	\$0
	-G2	Grade 2	\$53	\$75	\$120
	-G3	Grade 3	\$103	\$148	\$236
	-G4	Grade 4	\$154	\$220	\$352
	-G5	Grade 5	\$207	\$295	\$472
	-G6	Grade 6	\$257	\$368	\$588
	-G7	Grade 7	\$308	\$440	\$704
	-G8	Grade 8	\$361	\$515	\$824
	-G9	Grade 9	\$424	\$605	\$968
	-G10	Grade 10	\$488	\$698	\$1,186

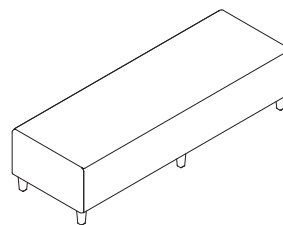
Quick Looks



TA-LG-2424S-NB-ML

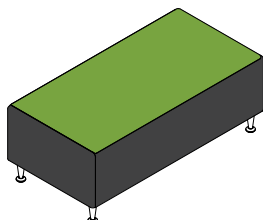


TA-LG-2448S-NB-ML



TA-LG-2472S-NB-WL

Fabric Combination Options



Base 1 | Seat Top 2

Part Number
Configurator

TA - **LG** - **1** **2** **3** - **4** - **5**

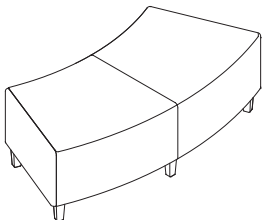
Required Selections

Component	Code	Description	45 Degree	90 Degree
1 Depth	24	24" Deep	\$1,945	\$2,049
			unit weight 55 lbs	55 lbs
2 Angle	45	45 Degree	\$0	-
	90	90 Degree	-	\$0
3 Curve Type	OC	Outer Curve	\$0	-
		-Outer curve only available on 45 degree units		
	IC	Inner Curve	-	\$0
		-Inner curve only available on 90 degree units		
4 Back Style	NB	No Back	\$0	\$0
5 Leg Style	ML	Metal Legs	\$0	\$0
	CA	Casters	\$225	\$225

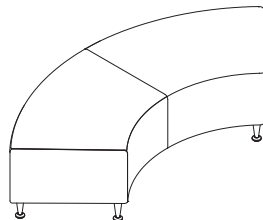
Fabric Selections

Component	Code	Description	45 Degree	90 Degree
6 Fabric Grade	-COM	Customers Own Material	\$0	\$0
			fabric requirements: 5 yards	5 yards
	-G1	Grade 1	\$0	\$0
	-G2	Grade 2	\$150	\$150
	-G3	Grade 3	\$295	\$295
	-G4	Grade 4	\$440	\$440
	-G5	Grade 5	\$590	\$590
	-G6	Grade 6	\$735	\$735
	-G7	Grade 7	\$880	\$880
	-G8	Grade 8	\$1,030	\$1,030
	-G9	Grade 9	\$2,178	\$2,178
-G10	Grade 10	\$2,511	\$2,511	

Quick Looks

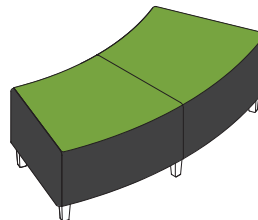


TA-LG-2445OC-NB-WL



TA-LG-2490IC-NB-ML

Fabric Combination Options



Base 1 | Seat Top 2

Part Number
Configurator

TA - **LG** - **1** - **2** - **3** - **4**

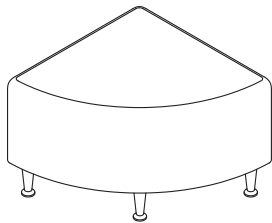
Required Selections

Component	Code	Description	24"	30"	36"
1 Size	24	24"	\$0	-	-
	30	30"	-	\$0	-
	36	36"	-	-	\$0
		unit weight	20 lbs	27 lbs	34 lbs
2 Shape	D	Round	\$1,392	\$1,668	\$1,908
	P	Pie	\$920	-	-
3 Back Style	NB	No Back	\$0	\$0	\$0
4 Leg Style	ML	Metal Legs	\$0	\$0	\$0
	CA	Casters	\$225	\$225	\$225

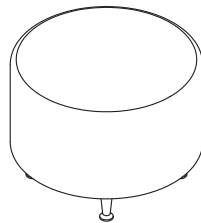
Fabric Selections

Component	Code	Description	24"	30"	36"
5 Fabric Grade	-COM	Customers Own Material	\$0	\$0	\$0
		fabric requirements:	1.75 yards	2.75 yards	3.25 yards
	-G1	Grade 1	\$0	\$0	\$0
	-G2	Grade 2	\$53	\$83	\$98
	-G3	Grade 3	\$103	\$162	\$192
	-G4	Grade 4	\$154	\$242	\$286
	-G5	Grade 5	\$207	\$325	\$384
	-G6	Grade 6	\$257	\$404	\$478
	-G7	Grade 7	\$308	\$484	\$572
	-G8	Grade 8	\$361	\$567	\$670
	-G9	Grade 9	\$424	\$666	\$787
-G10	Grade 10	\$488	\$767	\$907	

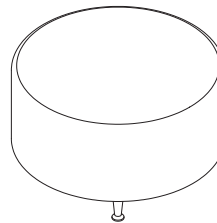
Quick Looks



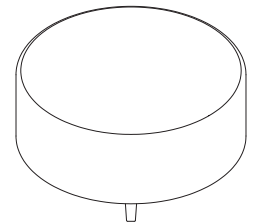
TA-LG-24P-NB-ML



TA-LG-24D-NB-ML

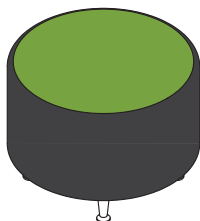


TA-LG-30D-NB-ML



TA-LG-36D-NB-WL

Fabric Combination Options



Base 1 | Seat Top 2

Part Number
Configurator

TA – **OT** – **1** **2** **3** – **4** – **5**

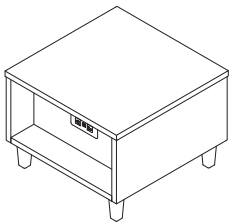
Required Selections

Component	Code	Description	24" Long	36" Long	48" Long	60" Long
1 Width	24	24" Wide	\$939	\$1,066	\$1,198	\$1,362
2 Length	24	24" Long	\$0	-	-	-
	36	36" Long	-	\$0	-	-
	48	48" Long	-	-	\$0	-
	60	60" Long	-	-	-	\$0
3 Shape	S	Straight	\$0	\$0	\$0	\$0
4 Height	16	16" High	\$0	\$0	\$0	\$0
	18	18" High	\$18	\$27	\$51	\$67
	22	22" High	\$72	\$109	\$127	\$145
5 Leg Style	ML	Metal Legs	\$0	\$0	\$0	\$0
	CA	Casters	\$180	\$180	\$180	\$180

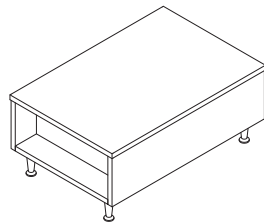
Available Upgrades

Component	Code	Description	24" Long	36" Long	48" Long	60" Long
6 Power Qty	-1P	1 Power	\$477	\$477	\$477	\$477
	-2P	2 Power	\$954	\$954	\$954	\$954
7 Power Color	S	Silver Pearl Cove	\$0	\$0	\$0	\$0
	B	Black Powder Coat Cove	\$0	\$0	\$0	\$0
	W	Gloss White Cove	\$0	\$0	\$0	\$0

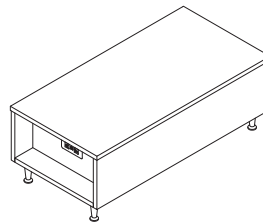
Quick Looks



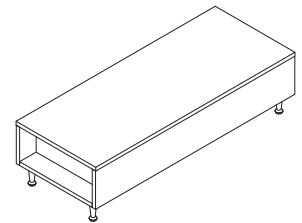
TA-OT-2424S-18-WL-2PS



TA-OT-2436S-16-ML



TA-OT-2448S-18-ML-2PS



TA-OT-2460S-18ML

Part Number
Configurator

TA – **OT** – **1** **2** **3**

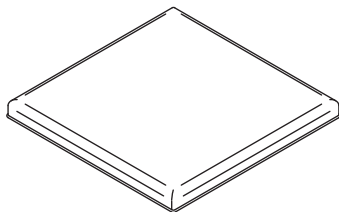
Required Selections

Component	Code	Description	24" Long	36" Long	48" Long	60" Long
1 Width	24	24" Wide	\$303	\$410	\$516	\$622
2 Length	24	24" Long	\$0	-	-	-
	36	36" Long	-	\$0	-	-
	48	48" Long	-	-	\$0	-
	60	60" Long	-	-	-	\$0
3 Cushion Type	TC	Top Cushion	\$0	\$0	\$0	\$0

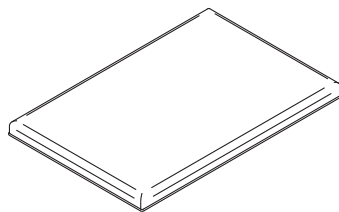
Fabric Selections

Component	Code	Description	24" Long	36" Long	48" Long	60" Long	
4 Fabric Grade	-COM	Customers Own Material	\$0	\$0	\$0	\$0	
			fabric requirements:	0.5 yards	0.75 yards	1 yards	1.25 yards
	-G1	Grade 1	\$0	\$0	\$0	\$0	
	-G2	Grade 2	\$15	\$23	\$30	\$38	
	-G3	Grade 3	\$30	\$44	\$59	\$74	
	-G4	Grade 4	\$44	\$66	\$88	\$110	
	-G5	Grade 5	\$59	\$89	\$118	\$148	
	-G6	Grade 6	\$74	\$110	\$147	\$184	
	-G7	Grade 7	\$88	\$132	\$176	\$220	
	-G8	Grade 8	\$103	\$155	\$206	\$258	
	-G9	Grade 9	\$121	\$182	\$242	\$303	
-G10	Grade 10	\$140	\$209	\$279	\$419		

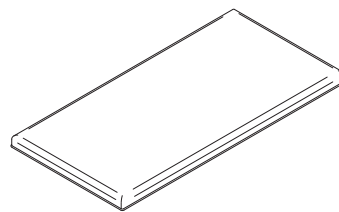
Quick Looks



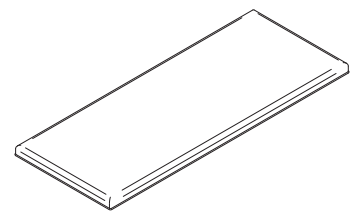
TA-OT-2424TC



TA-OT-2436TC



TA-OT-2448TC



TA-OT-2460TC

Part Number
Configurator

TA – **OT** – **1** **2** **3**

Required Selections

Component	Code	Description	16" Long	18" Long	22" Long
1 Width	24	24" Wide	\$167	\$190	\$213
2 Height	16	16" High	\$0	-	-
	18	18" High	-	\$0	-
	22	22" High	-	-	\$0
3 Panel Type	FP	Fabric Panel	\$0	\$0	\$0

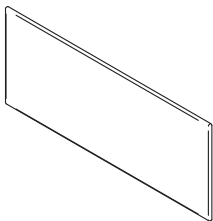
Available Upgrades

Component	Code	Description	16" Long	18" Long	22" Long
4 Power	-P	Power Cutout	\$23	\$23	\$23

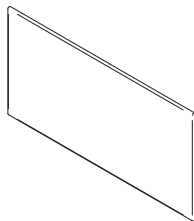
Fabric Selections

Component	Code	Description	16" Long	18" Long	22" Long
5 Fabric Grade	-COM	Customers Own Material	\$0	\$0	\$0
		fabric requirements:	0.5 yards	0.5 yards	0.5 yards
	-G1	Grade 1	\$0	\$0	\$0
	-G2	Grade 2	\$15	\$15	\$15
	-G3	Grade 3	\$30	\$30	\$30
	-G4	Grade 4	\$44	\$44	\$44
	-G5	Grade 5	\$59	\$59	\$59
	-G6	Grade 6	\$74	\$74	\$74
	-G7	Grade 7	\$88	\$88	\$88
	-G8	Grade 8	\$103	\$103	\$103
	-G9	Grade 9	\$121	\$121	\$121
	-G10	Grade 10	\$140	\$140	\$140

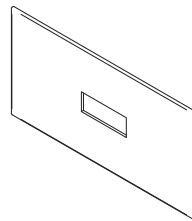
Quick Looks



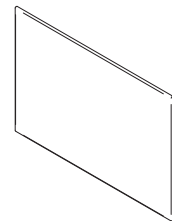
TA-OT-2416FP



TA-OT-2418FP



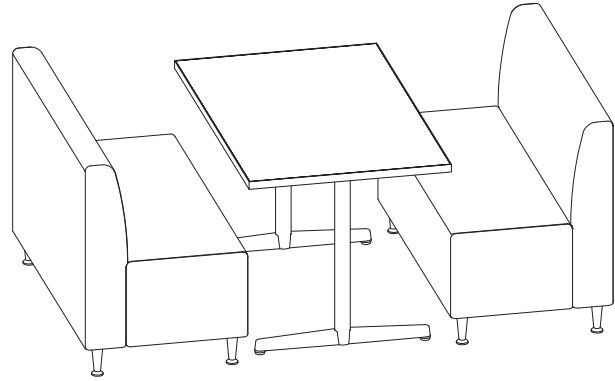
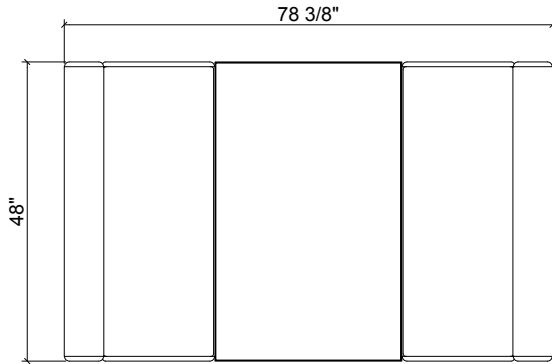
TA-OT-2418FP-P



TA-OT-2422FP

TA-001

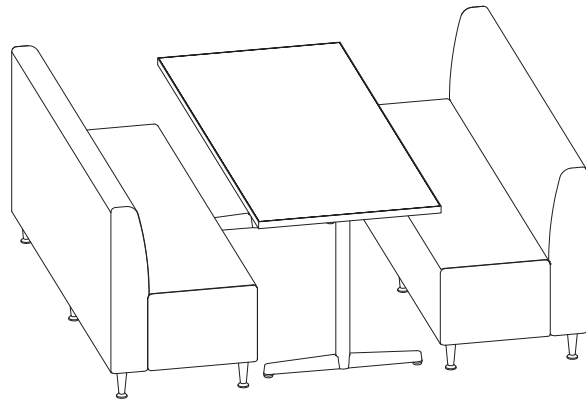
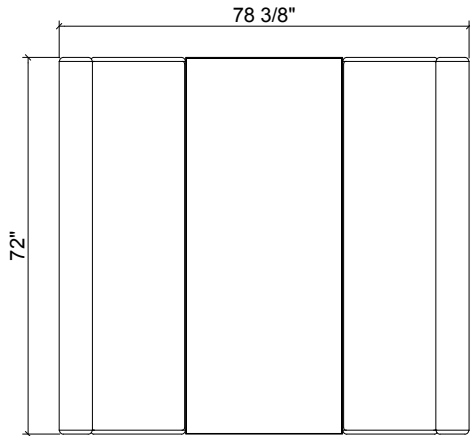
Total List \$6,056



Model Number	Qty	List	Extension
TA-LG-2448S-UB-ML-G1	2	\$2,511	\$5,022
NA-ST-3048R-29-TB	1	\$1,034	\$1,034

TA-002

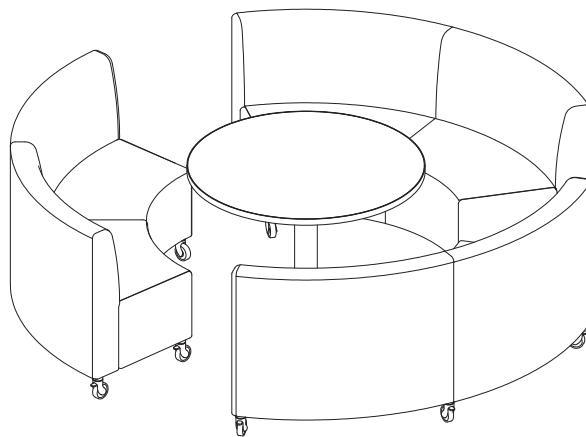
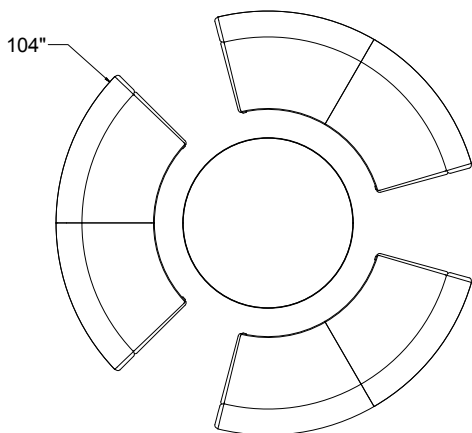
Total List \$7,565



Model Number	Qty	List	Extension
TA-LG-2472S-UB-ML-G1	2	\$3,204	\$6,408
NA-ST-3072R-29-TB	1	\$1,157	\$1,157

TA-003

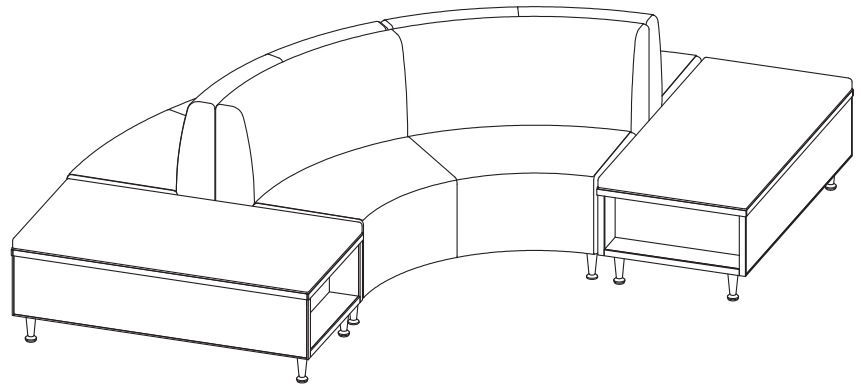
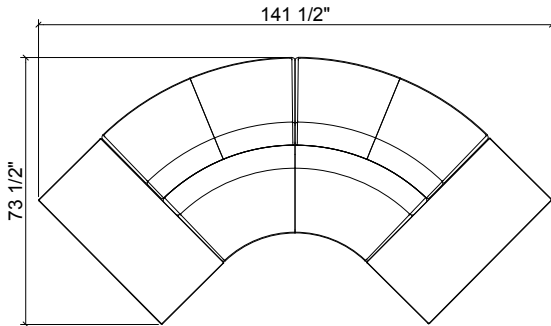
Total List \$11,779



Model Number	Qty	List	Extension
TA-LG-2490IC-UB-CA-G1	3	\$3,390	\$10,170
NA-ST-42D-29-DB	1	\$1,609	\$1,609

TA-004

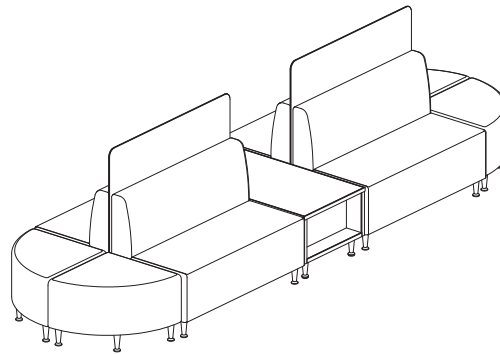
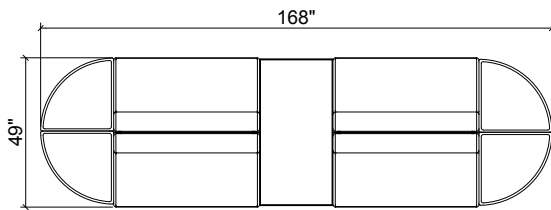
Total List \$12,599



Model Number	Qty	List	Extension
TA-LG-2490IC-UB-ML-G1	1	\$3,165	\$3,165
TA-LG-2445OC-UB-ML-G1	2	\$3,003	\$6,006
TA-OT-2448S-16-ML	2	\$1,198	\$2,396
TA-OT-2448TC-G1	2	\$516	\$1032

TA-005

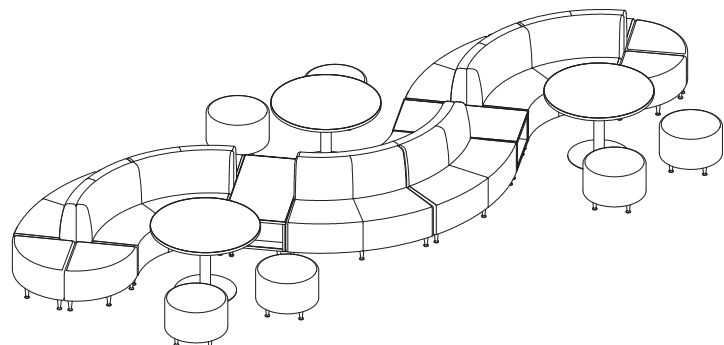
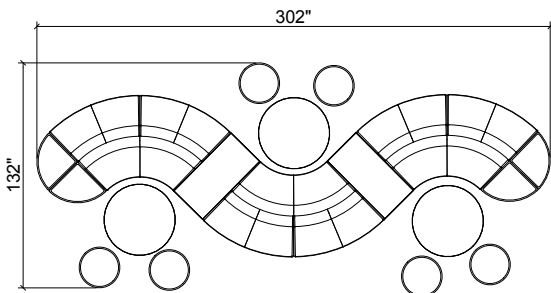
Total List \$17,182



Model Number	Qty	List	Extension
TA-LG-2448S-UB-ML-AP-G1	2	\$3,805	\$7,610
TA-LG-2448S-UB-ML-G1	2	\$2,511	\$5,022
TA-LG-24P-NB-ML	4	\$920	\$3,680
TA-OT-2448S-18-ML	1	\$1,249	\$1,249

TA-006

Total List \$46,870



Model Number	Qty	List	Extension
TA-LG-2490IC-UB-ML-G1	3	\$3,165	\$9,495
TA-LG-2445OC-UB-ML-G1	6	\$3,003	\$18,018
TA-LG-24P-NB-ML	4	\$920	\$3,680
TA-LG-24D-NB-ML	6	\$1,392	\$8,352
TA-OT-2448S-18-ML	2	\$1,249	\$2,498
NA-ST-42D-29-DB	3	\$1,609	\$4,827

Vance

Price List

Effective 11/1/2023

Ordering Information	126
Specifications	127
Lounge	128
Occasional Tables	159



LIATfurniture.com

694 North Main Street · Troutman, NC 28166
TF 888 440 8205

LIAT 
LOUNGE

Use this checklist to be sure you have all of the necessary information to place your order.

Catalog Number

Use our build guides to create your catalog number.

Fabrics & Textiles

Please specify vendor, pattern name and pattern color. See 12 for a complete list of LIAT Graded-In Fabrics.

Laminate Selection ***Tablet Arms only***

Standard Wilsonart or Formica. Please specify manufacturer, color, finish and model number.

PVC Edge Band ***Tablet Arm only***

See 8 for a complete list of standard LIAT PVC Edge Band options.

Accessories

Contrasting Fabrics

When specifying contrasting upholstery, please clearly indicate which upholstery is to be applied to the seat, back and arms. Use the higher grade for pricing purposes.

Fabric Direction

Please specify any special applications instructions. If no special instructions are provided with the order, LIAT will upholster the fabric at our own discretion, typically "Up The Roll" with any stripes/pattern going from front to back.

COM Order Information

All COM orders must include the following:

- Vendor name, pattern name and pattern color.
- Sample of the fabric attached with the order.
- Any special application instructions.
- Ship prepaid COM to:

LIAT Furniture
ATTN: COM Upholstery
694 North Main Street
Troutman, NC 28166

COM Policy

All yardage requirements for COM are based upon 54" plain non-direction material. Additional yardage may be required based on repeat and matching. All COM requires pre-approval by LIAT. Use the guide at the bottom of this page to estimate the required yardage. LIAT takes no responsibility when additional materials must be ordered. LIAT takes no responsibility for tailoring, wear-ability or application of COM fabrics & textiles. Any warranty claims for COM fabrics & textiles will fall to the original vendor of the material.

COM Fabric Repeat Guide ***Based on 54" wide roll***

Plain Fabric	1-5" Repeat	6-10" Repeat	11-15" Repeat	16-20" Repeat	21-30" Repeat	31-40" Repeat	41"+
0%	10%	15%	20%	25%	30%	40%	50%

Lounge

The lounge frames are constructed of puzzle cut 7/8" thick plytanium with locking dog bone joint construction that is glued and stapled.

The seat uses 8 gauge no sag sinuous springs with 4-1/2" thick high density polyurethane foam.

The backs use 11 gauge no sag sinuous springs with 2-1/2" thick high density polyurethane foam.

The arms are covered with 1-1/2" thick high density polyurethane foam.

Electrical / Power

The standard built-in power upgrade option shall be an all metal flush clamp mounted power and charging solution with 1 power and 2 USB 2.1A charging ports and a 108" cord length, constructed with 12A, 120 VAC spill resistant receptacles. A 6ft. electrical cord comes with the unit. The unit shall be finished in a Metallic Silver powder coat.

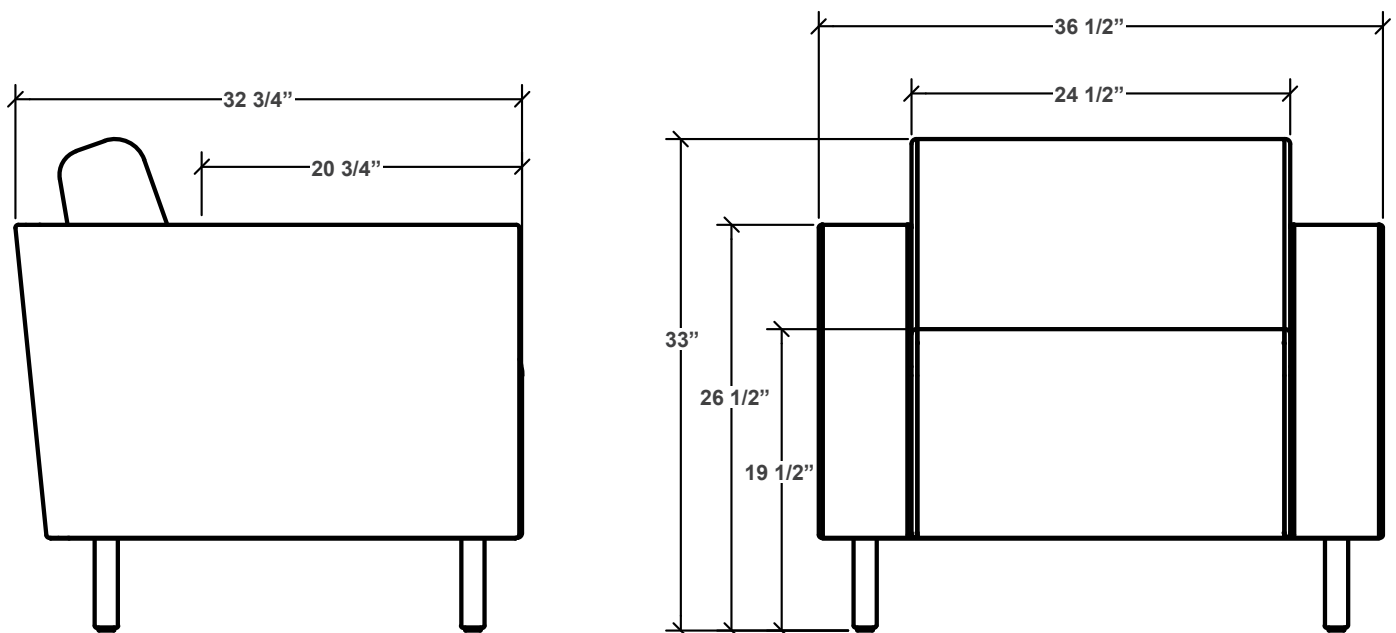
Tablet Arms

Removable tablet arms are available in several styles. Tablet arms revolve 360 degrees. Tablets are available in either laminate or solid wood. Laminate is the more durable of the two surfaces; wood may show scratches or marking from objects used for various tasks.

Vance tablet arms measure 13-3/4" wide x 20" long and are located 8-3/4" from the top of the seat.

Tablet arms are not designed to be used for sitting, leaning, or supporting heavy objects.

Good judgment of use and risk of breakage will be your responsibility.



Part Number
Configurator

VA – **LG** – **1** **2**

Required Selections

Component	Code	Description	37" Wide	62" Wide	81" Wide
1 Depth	33	33" Deep	\$2,636	\$3,345	\$4,006
			shipping weight	94 lbs	145 lbs
2 Width	37	Single-Seat Lounge	\$0	-	-
	62	Two-Seat Lounge	-	\$0	-
	81	Three-Seat Lounge	-	-	\$0

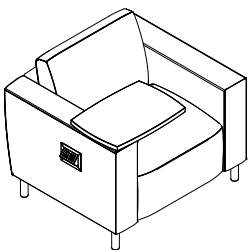
Available Upgrades

Component	Code	Description	37" Wide	62" Wide	81" Wide
3 Power	-PR	Power, Right Side Facing	\$484	\$484	\$484
	-PL	Power, Left Side Facing	\$484	\$484	\$484
	-P2	Power, Both Sides	\$968	\$968	\$968
4 Tablet Arm	-LTR	Laminate Tablet Arm, Right Side Facing	\$438	-	-
	-LTL	Laminate Tablet Arm, Left Side Facing	\$438	-	-

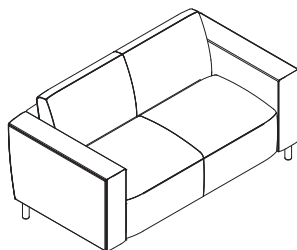
Fabric Selections

Component	Code	Description	37" Wide	62" Wide	81" Wide	
5 Fabric Grade	-COM	Customers Own Material	\$0	\$0	\$0	
			fabric requirements:	5.2 yards	6.9 yards	8 yards
	-G1	Grade 1	\$0	\$0	\$0	
	-G2	Grade 2	\$156	\$207	\$240	
	-G3	Grade 3	\$306	\$407	\$472	
	-G4	Grade 4	\$457	\$607	\$704	
	-G5	Grade 5	\$613	\$814	\$944	
	-G6	Grade 6	\$764	\$1,014	\$1,176	
	-G7	Grade 7	\$915	\$1,214	\$1,408	
	-G8	Grade 8	\$1,071	\$1,421	\$1,648	
	-G9	Grade 9	\$1,528	\$1,670	\$1,936	
-G10	Grade 10	\$1,451	\$1,925	\$2,232		

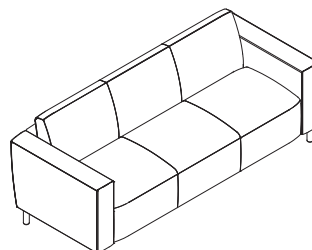
Quick Looks



VA-LG-3126

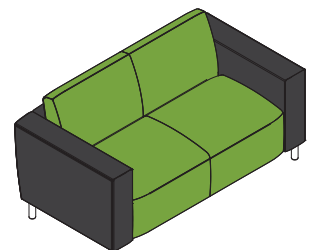


VA-LG-3148



VA-LG-3169

Fabric Combination Option



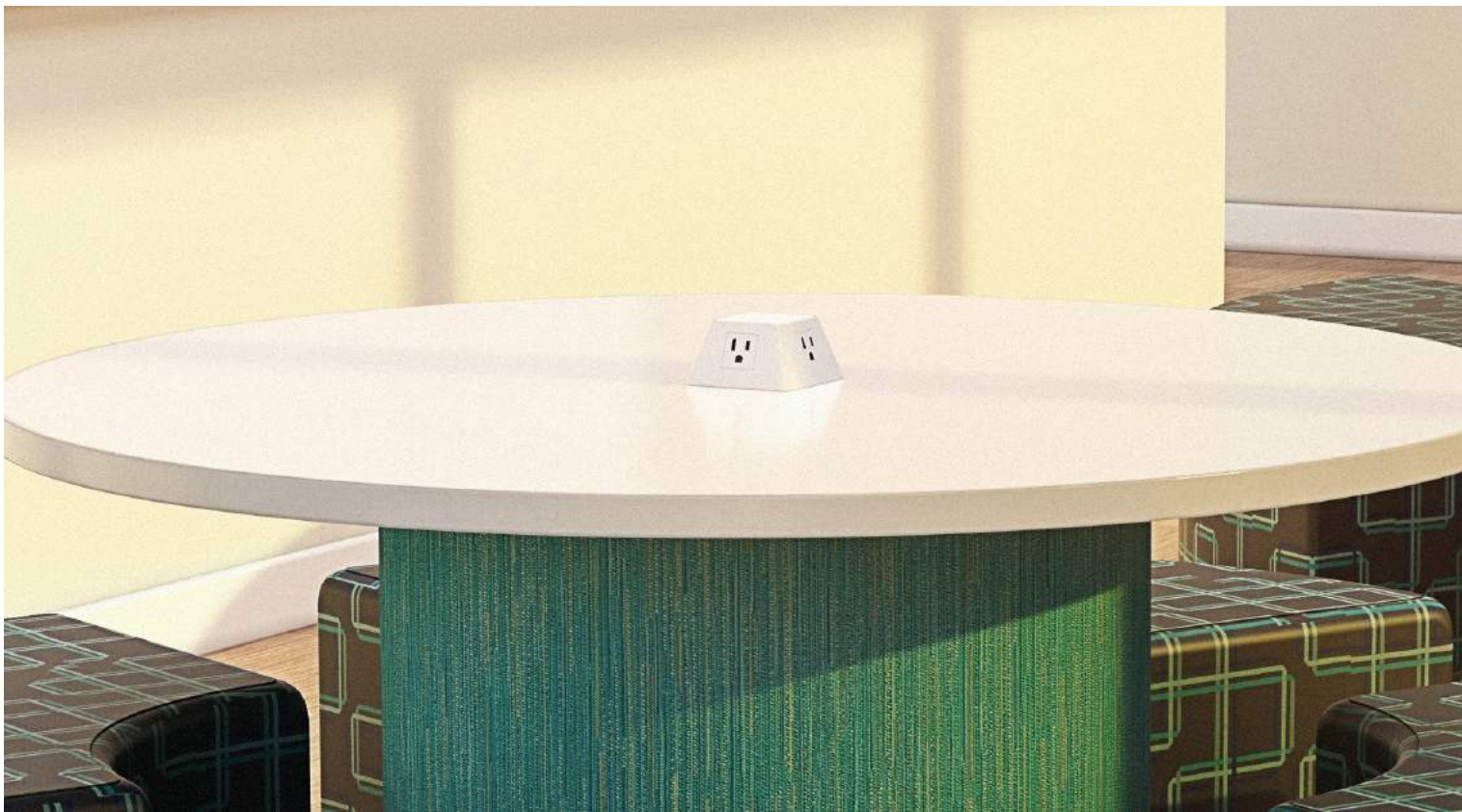
Back 1 | Seat 2

Lounge Accessories

Price List

Effective 11/1/2023

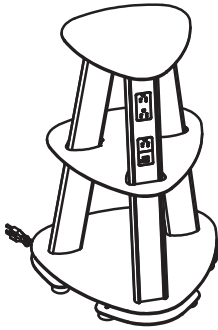
Throw Pillows	162
Add-On Power & Data	131
Built-In Power & Data	132



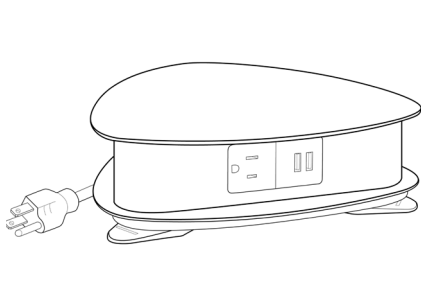
LIATfurniture.com

694 North Main Street · Troutman, NC 28166
TF 888 440 8205

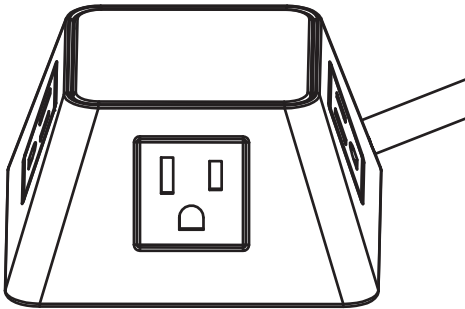
LIAT 
LOUNGE



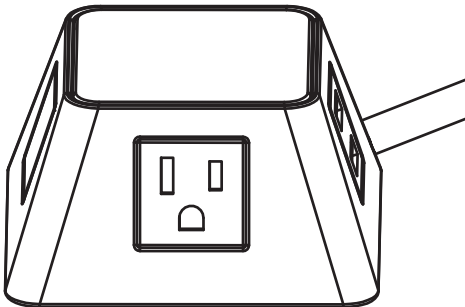
Part Number LA-ISLE-930-C108
Description Isle Free Standing Charging Hub
Power/Data 9 Power, 3 USB
Power Supply 108" Long Cord, 15A plug
Finish Options White (-**GW**); Black (-**GB**); Silver Pearl (-**S**)
Size 18" W x 18" L x 25-1/2" H
List Price \$2,050



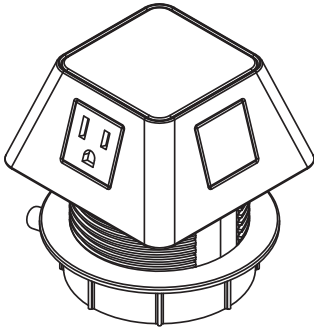
Part Number LA-DRI6-330-C108
Description Drift Free Standing Charging Hub - Table Top
Power/Data 3 Power, 3 USB
Power Supply 108" Long Cord, 15A plug
Finish Options White (-**GW**); Black (-**GB**); Silver Pearl (-**S**)
Size 10" W x 10" L x 2-7/8" H
List Price \$979



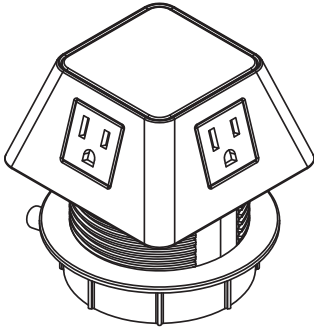
Part Number LA-MOT4-400-C120
Description Moire Free Standing, Table Top
Power/Data 4 Power
Power Supply 120" Long Cord, 15A plug
Finish Options Gloss White (-**W**); Gloss Black (-**B**)
Size 3-7/8" W x 3-7/8" L x 2" H
List Price \$482



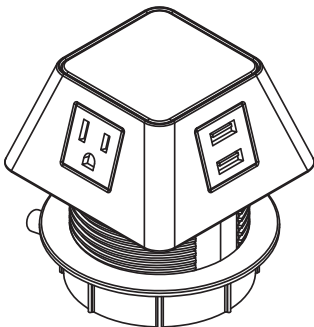
Part Number LA-MOT4-21B-C120
Description Moire Free Standing, Table Top
Power/Data 2 Power, 1 USB, 1 Blank
Power Supply 120" Long Cord, 15A plug
Finish Options Gloss White (-**W**); Gloss Black (-**B**)
Size 3-7/8" W x 3-7/8" L x 2" H
List Price \$482



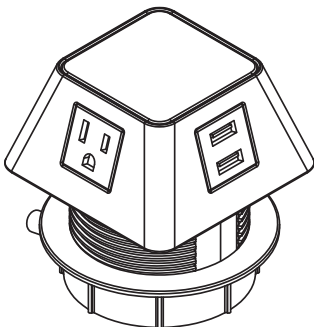
Part Number LA-MOH4-202-C120
Description Moire, Hole Mount
Power/Data 2 Power, 2 Open Data
Power Supply 120" Long Cord, 15A plug
Finish Options Gloss White **(-W)**; Gloss Black **(-B)**
Works With Belmont Shared Tables
List Price \$541



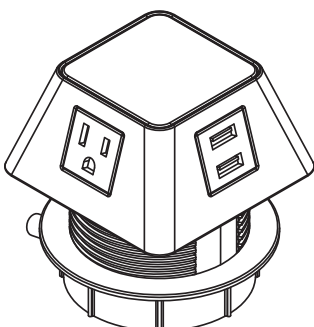
Part Number LA-MOH4-400-C120
Description Moire, Hole Mount
Power/Data 4 Power
Power Supply 120" Long Cord, 15A plug
Finish Options Gloss White **(-W)**; Gloss Black **(-B)**
Works With Belmont Shared Tables
List Price \$541



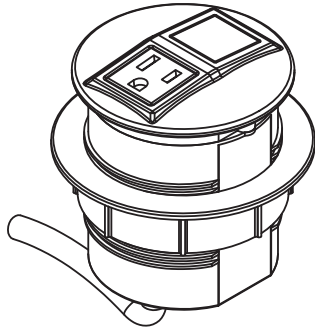
Part Number LA-MOH4-310-C120
Description Moire, Hole Mount
Power/Data 3 Power, 1 USB
Power Supply 120" Long Cord, 15A plug
Finish Options Gloss White **(-W)**; Gloss Black **(-B)**
Works With Belmont Shared Tables
List Price \$574



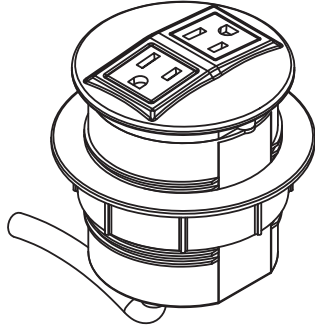
Part Number LA-MOH4-211-C120
Description Moire, Hole Mount
Power/Data 2 Power, 1 USB, 1 Open Data
Power Supply 120" Long Cord, 15A plug
Finish Options Gloss White **(-W)**; Gloss Black **(-B)**
Works With Belmont Shared Tables
List Price \$574



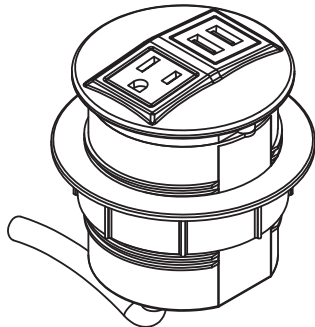
Part Number LA-MOH4-220-C120
Description Moire, Hole Mount
Power/Data 2 Power, 2 USB
Power Supply 120" Long Cord, 15A plug
Finish Options Gloss White **(-W)**; Gloss Black **(-B)**
Works With Belmont Shared Tables
List Price \$660



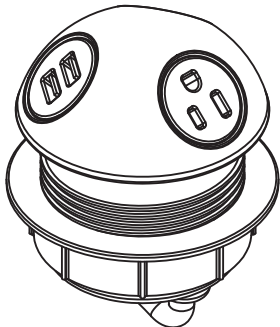
Part Number LA-NOD2-101-C120
Description Node, Hole Mount
Power/Data 1 Power, 1 Open Data
Power Supply 120" Long Cord, 15A plug
Finish Options Parchment **(-PP)**; Silver **(-SP)**; Midnight **(-MP)**
Works With Belmont Shared Tables
List Price \$400



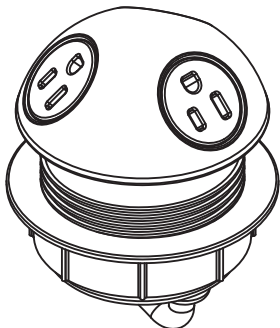
Part Number LA-NOD2-200-C120
Description Node, Hole Mount
Power/Data 2 Power
Power Supply 120" Long Cord, 15A plug
Finish Options Parchment **(-PP)**; Silver **(-SP)**; Midnight **(-MP)**
Works With Belmont Shared Tables
List Price \$411



Part Number LA-NOD2-110-C120
Description Node, Hole Mount
Power/Data 1 Power, 1 USB
Power Supply 120" Long Cord, 15A plug
Finish Options Parchment **(-PP)**; Silver **(-SP)**; Midnight **(-MP)**
Works With Belmont Shared Tables
List Price \$504



Part Number LA-HEM3-210-C120
Description Hemisphere, Hole Mount
Power/Data 2 Power, 1 USB
Power Supply 120" Long Cord, 15A plug
Finish Options Soft Touch Black **(-B)**; Soft Touch White **(-W)**
Works With Belmont Shared Tables
List Price \$480



Part Number LA-HEM3-300-C120
Description Hemisphere, Hole Mount
Power/Data 3 Power
Power Supply 120" Long Cord, 15A plug
Finish Options Soft Touch Black **(-B)**; Soft Touch White **(-W)**
Works With Belmont Shared Tables
List Price \$480

LIAT 

LIATFURNITURE.COM

694 North Main Street · Troutman, NC 28166

P 704 528 4506 · F 704 528 6519