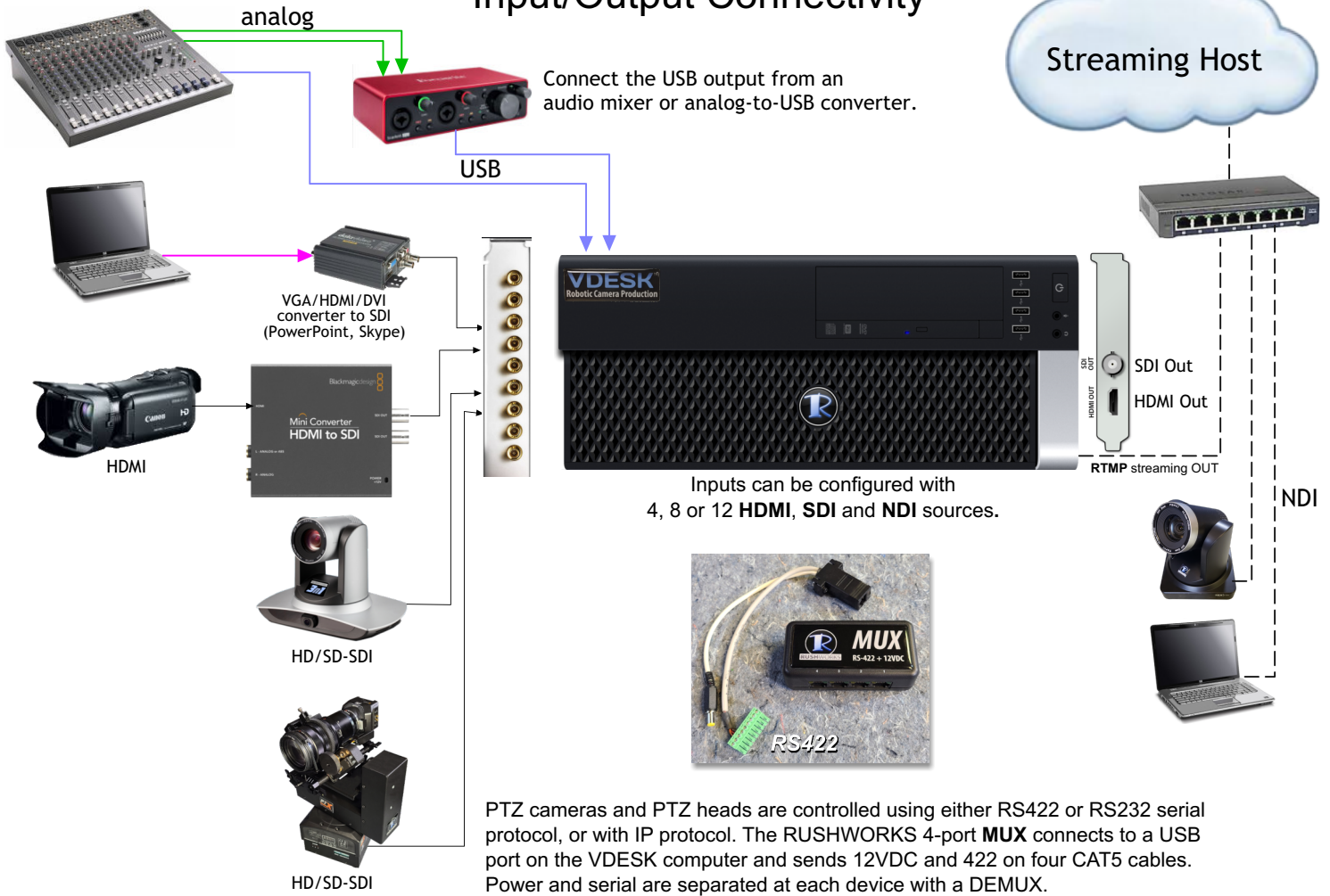
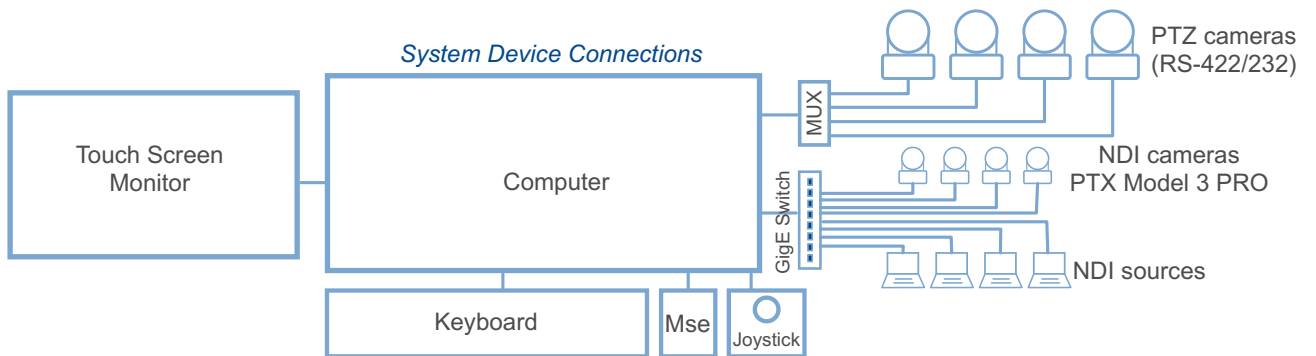


VDESK™

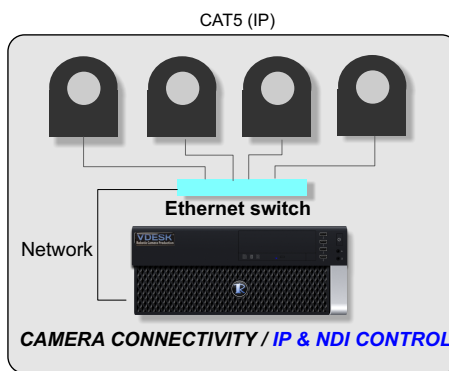
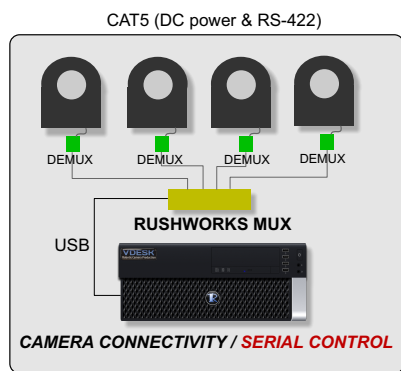
Input/Output Connectivity



PTZ cameras and PTZ heads are controlled using either RS422 or RS232 serial protocol, or with IP protocol. The RUSHWORKS 4-port **MUX** connects to a USB port on the VDESK computer and sends 12VDC and 422 on four CAT5 cables. Power and serial are separated at each device with a DEMUX.



VDESK PRO systems are available with 4 inputs, 8 inputs, or 12 inputs (SDI or HDMI), NDI inputs and output, and HDMI / SDI outputs.



VDESK™

Hardware Overview

Available in THREE chassis configurations



Chassis	Specs	Input / Output
COMPACT	Dell OEM 3260 Compact Form Factor NVMe 1TB / 2TB i7-12700 CPU / 16GB RAM Windows 10 PRO / KBD / MOUSE 15.6" or 24" 1920x1080 Touch Screen 1 x PCIe Low Profile Slot	Network connections, including NDI and URL SDI & HDMI outputs
LTD	Dell OEM 3460 Small Form Factor 1TB / 2TB / 4TB SSD i7-12700 CPU / 16GB RAM Windows 10 PRO / KBD / MOUSE 15.6" or 24" 1920x1080 Touch Screen 2 x PCIe Low Profile Slots	Network connections, including NDI and URL 4 x SDI or 2 x HDMI inputs SDI & HDMI outputs
PRO 4/8/12	Dell OEM 5820 Precision Workstation 256GB SSD + 2 x 1TB/2TB/4TB SSD i9-10900x CPU / 16GB RAM Windows 10 PRO / KBD / MOUSE 24" (1/2) 1920x1080 Touch Screen 6 x PCIe Slots	Network connections, including NDI and URL Up to 12 SDI and/or HDMI inputs SDI & HDMI outputs

ALL configurations include a custom keyboard with shortcut keys & mouse and a 6 button Hall effect joystick.

If you specify serial control for your VDESK configuration you'll also receive one or more 4-port MUX units which provide (RS422+12VDC) to the cameras, and a DEMUX for splitting power and serial at each destination.



RUSHWORKS

www.RUSHWORKS.tv
888.894.7874