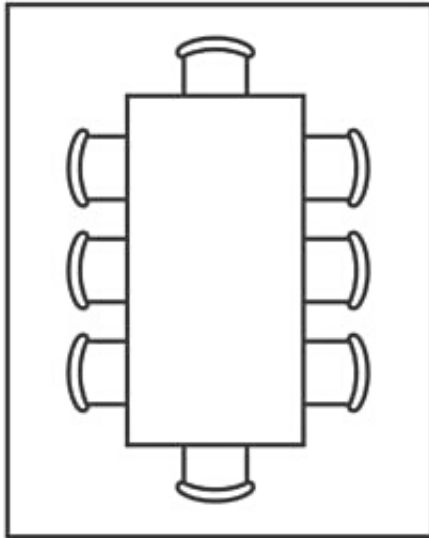




CHELSEESOWDER

INTERIOR DESIGN



DINING ROOM

2-3' LARGER THAN THE TABLE

TYPICAL SIZES: 5x8' | 8x10' | 9x12'

ALL CHAIRS FIT ON RUG

1' EXTEND PAST CHAIR

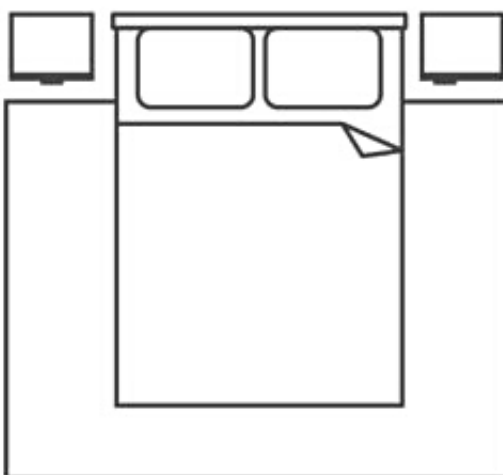
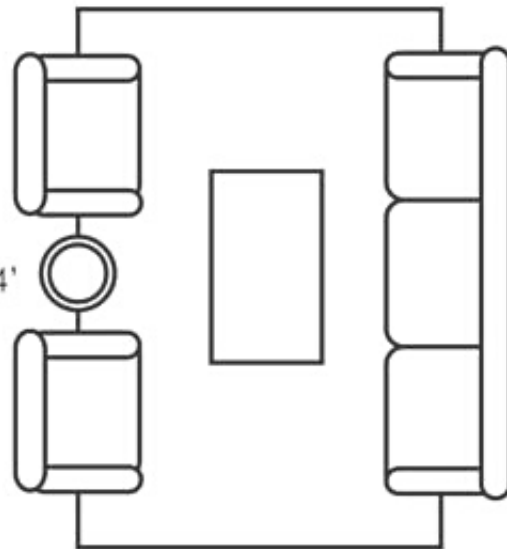
LIVING ROOM

AT LEAST 6" ON SIDES

TYPICAL SIZES: 8x10' | 9x12' | 10x14'

ALL FRONT LEGS ON RUG

BOTTOM 1/3 LARGER THAN TOP
WHEN LAYERING



BEDROOM

NOT UNDER NIGHTSTANDS

TYPICAL SIZES: 8x10' FOR QUEEN

9 x 12' FOR KING

EXTEND PAST BED AT LEAST 1'

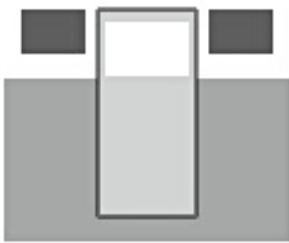


CHELSEESOWER

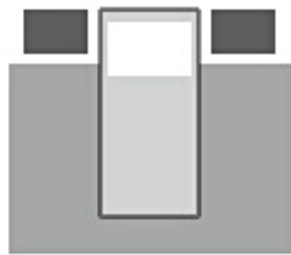
INTERIOR DESIGN

CHOOSING THE RIGHT SIZE
RUG FOR A BEDROOM.

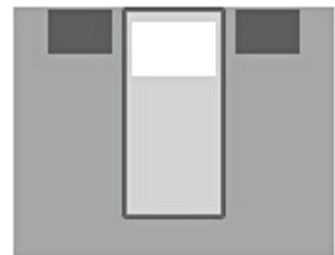
TWIN



5 X 8



6 X 9

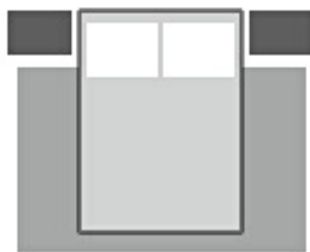


8 X 10

FULL / QUEEN



5 X 8



6 X 9

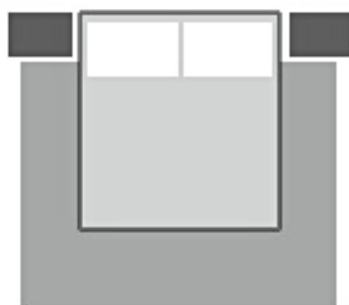


8 X 10

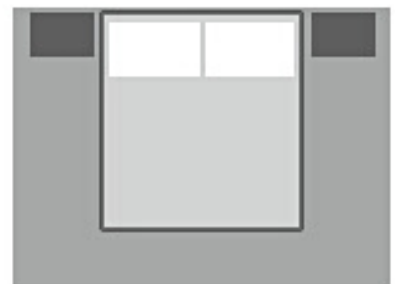
KING



6 X 9



8 X 10



9 X 12



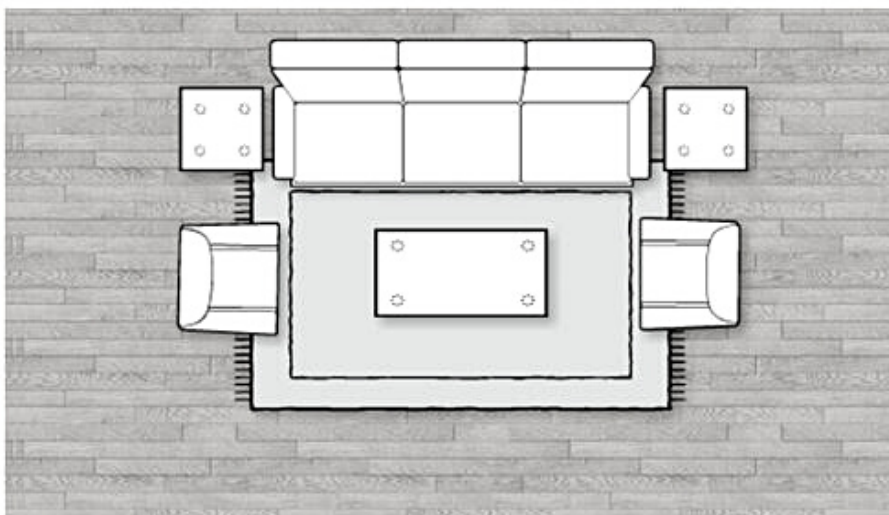
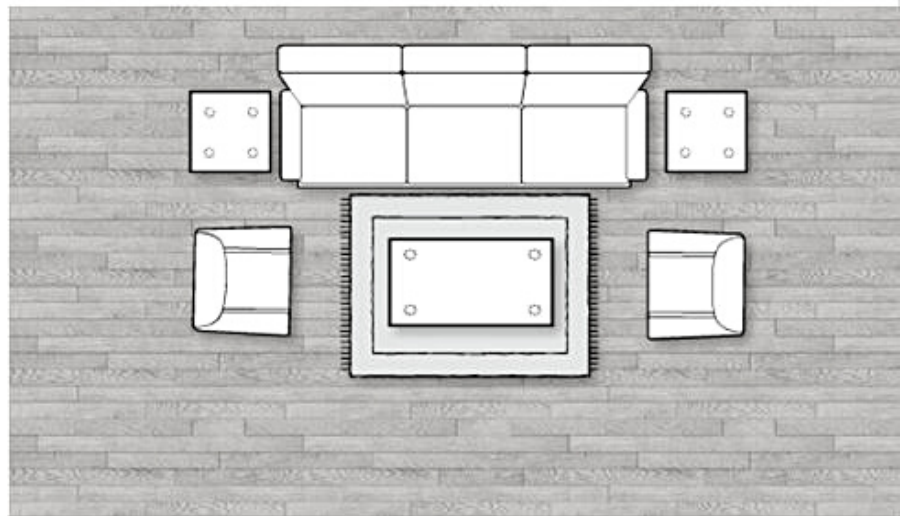
CHELSEESOWDER

INTERIOR DESIGN

CHOOSING THE RIGHT SIZE RUG FOR A LIVING ROOM.

✘ DON'T

- use a rug that is too small
- the bigger the rug the better, 5'x8' works best in smaller spaces

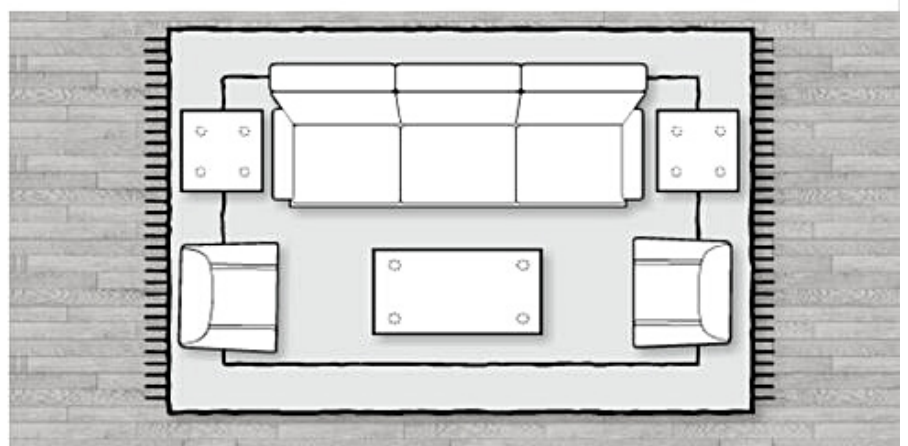


✔ DO

- place the front two legs of each furniture piece on the rug
- look for an 8'x10' rug

✔ DO

- place all four legs of each piece of furniture on rug
- look for a 9'x12' rug to pull this look off

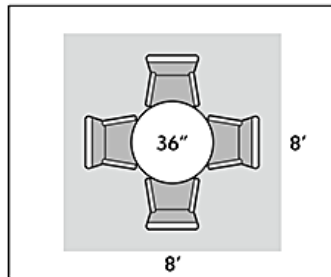




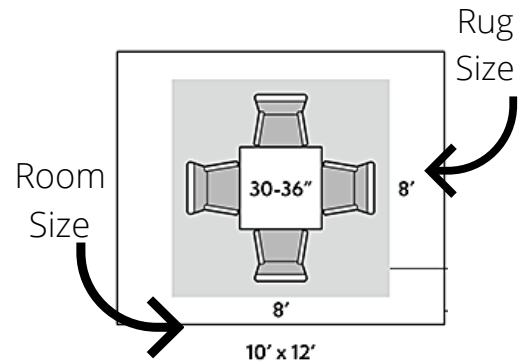
CHELSEESOWER

INTERIOR DESIGN

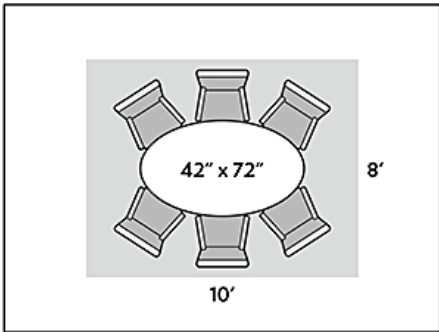
CHOOSING
THE RIGHT
SIZE
RUG FOR A
DINING ROOM.



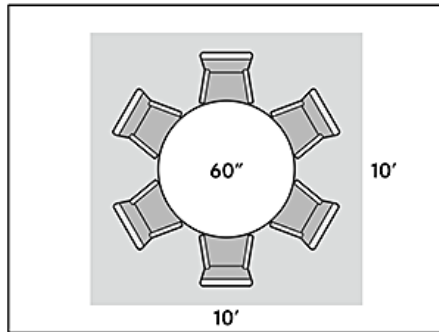
10' x 12'



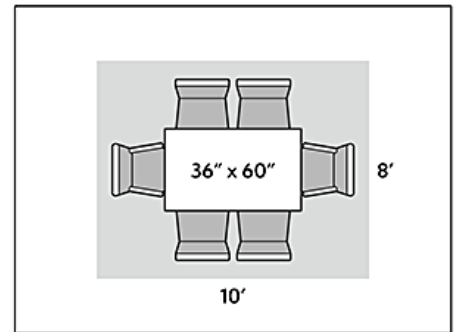
10' x 12'



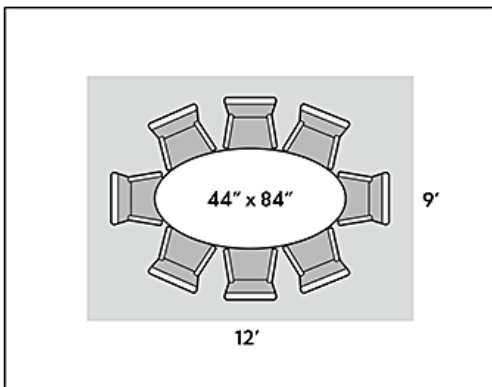
12' x 16'



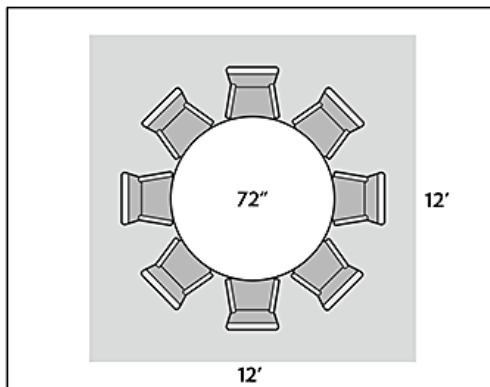
12' x 16'



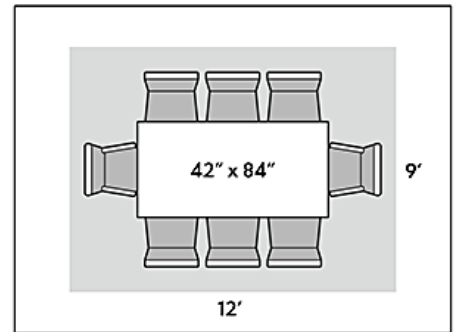
12' x 16'



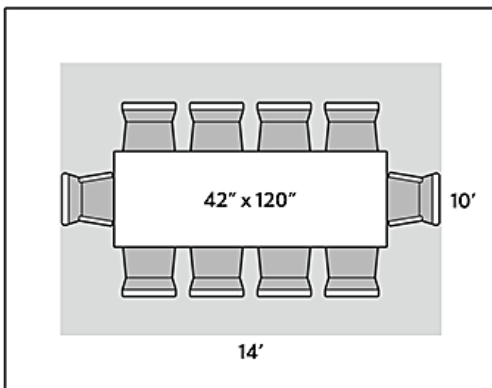
14' x 16'



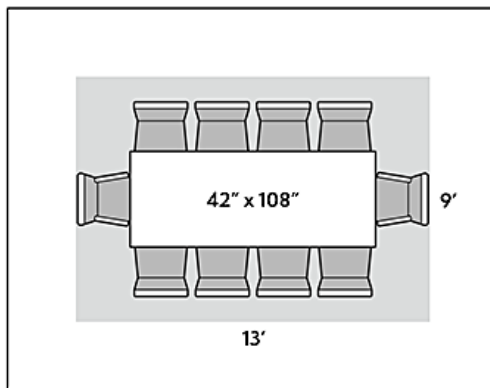
14' x 16'



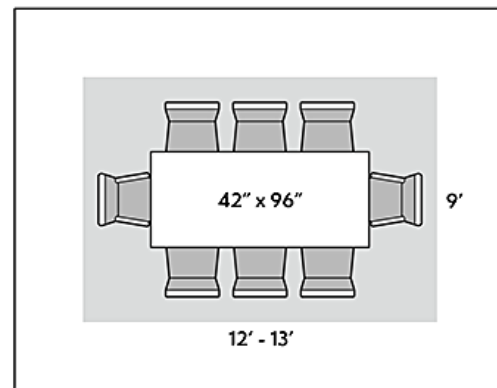
12' x 16'



14' x 16'



14' x 16'



14' x 16'