

Grommet Isolators

LORD Grommet Isolators provide effective, economical vibration isolation for light loads. They are suitable for commercial and military applications including computers, disk drives, business machines, precision instrumentation and general industrial equipment.

Grommet Isolators are designed and produced with the same kind of precision and care as our high performance bonded elastomeric mounts. This provides close control of stiffness and dimensions. You get the performance and quality you need at low cost.

Grommet Isolators are made of neoprene and natural rubber. They provide good vibration isolation for disturbing frequencies above 30 Hz.

Features and Benefits

- Economical
- Offer improved reliability in environments where harsh vibration and shock occur
- Space saving
- Oil resistant
- Effective vibration isolation and shock protection for light load applications

Table 1 – Specifications and Dimensions

Part Number	Figure	Elastomer ②	Maximum Axial Load		Axial Spring Rate		Radial Spring Rate		Thread Size	Ferrule Part Number
			lb	N	lb/in	N/mm	in/in	N/mm		
J-3112-5-1	1	NR	1	4	22	3.9	44	7.7	—	—
J-3112-12-1	3	NR	1	4	22	3.9	44	7.7	# 8 Screw	Y-10879-B
J-3112-2-2	2	OR	2	9	33	5.8	66	11.6	—	—
J-3112-1-3	1	OR	3	13	50	8.8	100	17.5	—	—
J-3112-8-3	3	OR	3	13	50	8.8	100	17.5	# 8 Screw	Y-10879-B
J-3112-8-11	3	OR	5.7	25	190	33.3	380	66.5	# 8 Screw	Y-10879-B
J-3112-8-6	3	OR	6	27	100	17.5	200	35.5	# 8 Screw	Y-10879-B
J-17736-1 ①	4	OR	1	4	17	3.0	17	3.0	—	—
J-17736-7 ①	5	OR	1	4	17	3.0	17	3.0	# 6 Screw	Y-31124-7-1
J-17736-8 ①	5	OR	2	9	33	5.8	33	5.8	# 6 Screw	Y-31124-7-1
J-17736-4 ①	6	OR	2	9	33	5.8	33	5.8	# 6-32UNC-2B	Y-31124-4-1
J-2927-4-1 ①	8	OR	1	4	16	2.8	16	2.8	# 10 Screw	Y-4045-B
J-2927-4-2 ①	8	OR	2	9	32	5.6	32	5.6	# 10 Screw	Y-4045-B
J-2924-4 ①	7	OR	4	18	65	11.4	65	11.4	—	—
J-2927-1-4 ①	8	OR	4	18	65	11.4	65	11.4	# 10 Screw	Y-4045-B

① Not recommended for Radial Static Load.

② NR = Natural Rubber
OR = Oil-Resistant Elastomer - Neoprene

Table 2 – Specifications and Dimensions

Part Number	Spacer ③				Support Member Plate ④			
	Length		O.D.		Thickness		Diameter	
	in	mm	in	mm	in	mm	in	mm
J-3112-5-1	0.365	9.3	0.255	6.5	0.062	1.6	0.555	14.1
J-3112-12-1	—	—	—	—	0.062	1.6	0.555	14.1
J-3112-2-2	0.365	9.3	0.175	4.4	0.062	1.6	0.555	14.1
J-3112-1-3	0.365	9.3	0.255	6.5	0.062	1.6	0.555	14.1
J-3112-8-3	—	—	—	—	0.062	1.6	0.555	14.1
J-3112-8-11	—	—	—	—	0.062	1.6	0.555	14.1
J-3112-8-6	—	—	—	—	0.062	1.6	0.555	14.1
J-17736-1 ①	0.365	9.3	0.175	4.4	0.062	1.6	0.555	14.1
J-17736-7 ①	—	—	—	—	0.062	1.6	0.555	14.1
J-17736-8 ①	—	—	—	—	0.062	1.6	0.555	14.1
J-17736-4 ①	—	—	—	—	0.062	1.6	0.555	14.1
J-2927-4-1 ①	—	—	—	—	0.062	1.6	0.735	18.7
J-2927-4-2 ①	—	—	—	—	0.062	1.6	0.735	18.7
J-2924-4 ①	0.455	11.6	0.195	5.0	0.062	1.6	0.735	18.7
J-2927-1-4 ①	—	—	—	—	0.062	1.6	0.735	18.7

① Not recommended for Radial Static Load.

④ Tolerance is ± 0.005 in (± 0.127 mm).

③ Spacer recommended for positive tightening if ferrule is not used. Not supplied by LORD.

Figure 1 – Part Dimensions - J-3112 Series (Without Ferrule)

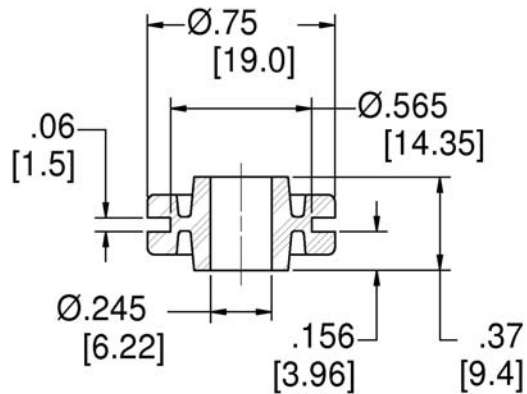


Figure 2 – Part Dimensions - J-3112 Series (Without Ferrule)

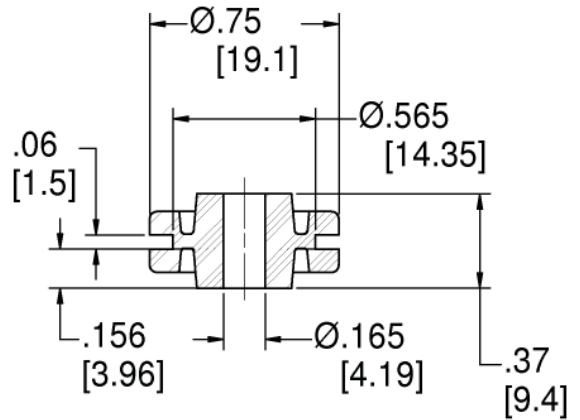


Figure 3 – Part Dimensions - J-3112 Series (#8 Screw, With Plain Ferrule)

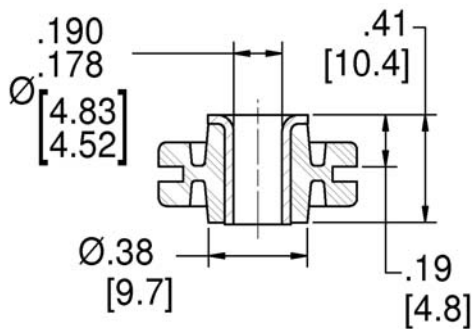


Figure 4 – Part Dimensions - J-17736 Series (Without Ferrule)

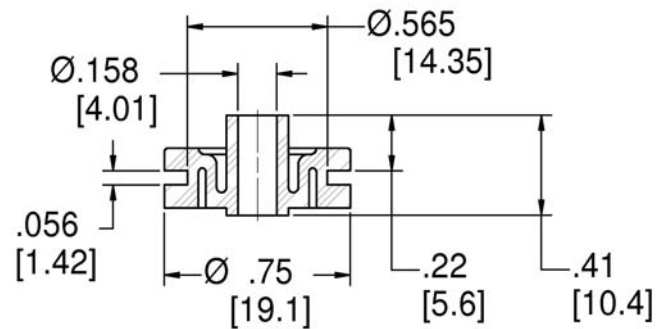


Figure 5 – Part Dimensions - J-17736 Series (#6 Screw, With Ferrule)

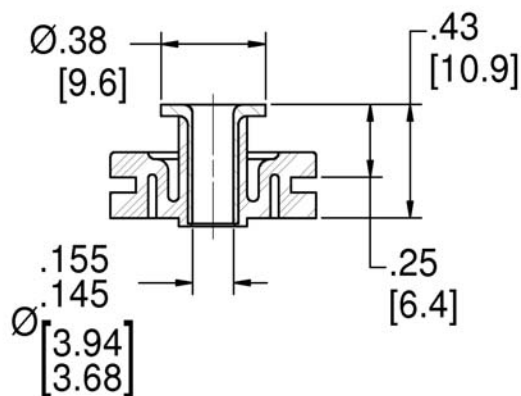
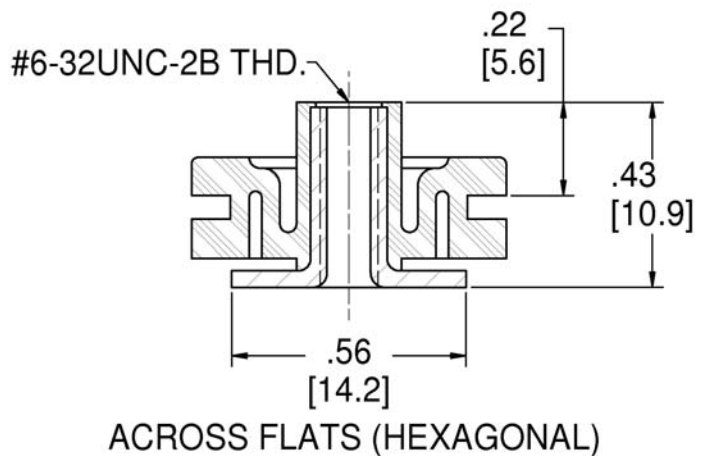
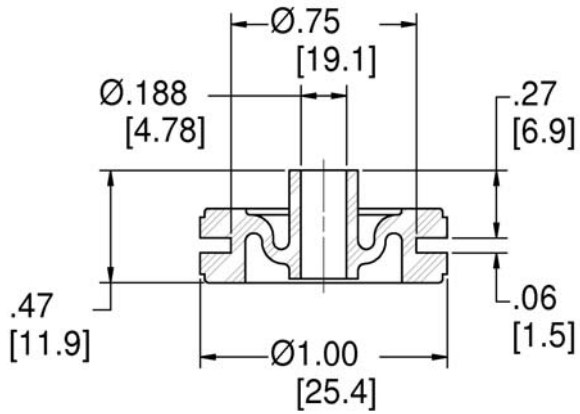


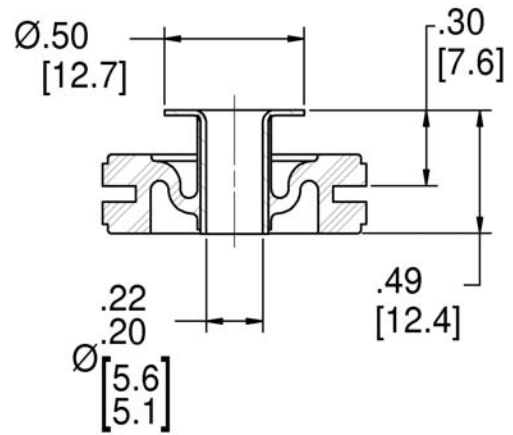
Figure 6 – Part Dimensions - J-17736 Series (With Threaded Ferrule)



**Figure 7 – Part Dimensions - J-2924/2927 Series
(Without Ferrule)**



**Figure 8 – Part Dimensions - J-2924/2927 Series
(#10 Screw, With Plain Ferrule)**



Contact Us
For your LORD solution



www.midatlanticrubber.com
sales@midatlanticrubber.com

1-800-536-1620