

Machinery Mounts

Featuring: Lattice Mounts
Chan-L™ Mounts
Industrial Shock Mounts
Leveling Mounts

LORD Machinery Mounts are designed to support heavy equipment and isolate intermittent or continuous vibration. The result is greater machine accuracy, longer service life, smoother operation and reduced maintenance. These mounts are available in four types to suit different needs.

Lattice Mounts are recommended for applications where disturbing frequencies are as low as 6 Hz. Their lattice design provides a soft vertical spring rate combined with lateral stability. Typical applications include shaker-screens, sifters, rubber mills, air compressors and large engines/generators.

Chan-L™ Mounts are recommended for machines where vertical disturbing frequencies are 600 cpm or higher. Their elastomer-supported channel design features a soft vertical spring rate. The design incorporates built-in protection against metal-to-metal bottoming. Typical applications include separating and grading screens and shakeouts.

Industrial Shock Mounts efficiently control shock and structural noise transmission from heavy industrial machinery. Adjacent controls, sensitive instruments and precision machines are protected from impact disturbances which could hamper their performance. Worker comfort is increased, and building structures need less maintenance.

Features and Benefits

- High-efficiency, multi-directional isolation of low frequency vibration
- Extremely rugged and require no maintenance
- Easy to install
- Long service life

Lattice Mounts

Table 1 – Specifications and Dimensions

Part Number	Type	Maximum Static Load		Deflection		Part Dimensions							
						A		B		C		D	
		lb	N	in	mm	in	mm	in	mm	in	mm	in	mm
J-5984-11	I	425	1890	0.62	15.7	9.75	247.7	8.12	206.2	5.50	139.7	①	①
J-5984-20	I	640	2847	0.62	15.7	9.75	247.7	8.12	206.2	5.50	139.7	①	①
J-4976-8	I	650	2891	0.62	15.7	12.50	317.5	10.88	276.4	8.25	209.6	2.75	69.9
J-4976-9	I	850	3781	0.62	15.7	12.50	317.5	10.88	276.4	8.25	209.6	2.75	69.9
J-4557-13	I	1000	4448	0.50	12.7	12.00	304.8	10.38	263.7	8.50	215.9	2.75	69.9
J-5665-35	I	1300	5783	1.00	25.4	14.23	361.4	12.44	316.0	9.06	230.1	②	②
J-5665-32	I	2000	8896	1.00	25.4	18.60	472.4	16.88	428.8	13.50	342.9	4.50	114.3
J-5665-33	I	3000	13,345	1.00	25.4	18.60	472.4	16.88	428.8	13.50	342.9	4.50	114.3
J-5665-34	I	4000	17,793	1.00	25.4	18.60	472.4	16.88	428.8	13.50	342.9	4.50	114.3

① One hole centered in top plate.

② Two holes midway in top plate.

Table 2 – Specifications and Dimensions

Part Number	Part Dimensions											
	E		F		G		H		J		M	
	in	mm	in	mm	in	mm	in	mm	in	mm	in	mm
J-5984-11	4.50	114.3	2.06	52.3	3.38	85.9	4.19	106.4	0.76	19.3	—	—
J-5984-20	4.50	114.3	2.06	52.3	3.38	85.9	4.91	124.7	0.76	19.3	—	—
J-4976-8	5.50	139.7	3.25	82.6	4.56	115.8	4.19	106.4	0.76	19.3	—	—
J-4976-9	5.50	139.7	3.25	82.6	4.56	115.8	4.19	106.4	0.76	19.3	—	—
J-4557-13	5.00	127.0	3.25	82.6	4.08	103.6	3.50	88.9	0.76	19.3	—	—
J-5665-35	9.14	232.2	5.00	127.0	7.62	193.5	6.08	154.4	0.76	19.3	5.00	127.0
J-5665-32	9.14	232.2	5.00	127.0	7.62	193.5	6.08	154.4	0.76	19.3	—	—
J-5665-33	9.14	232.2	5.00	127.0	7.62	193.5	6.08	154.4	0.76	19.3	—	—
J-5665-34	9.14	232.2	5.00	127.0	7.62	193.5	6.08	154.4	0.76	19.3	—	—

Figure 1 – Part Dimensions - Type I

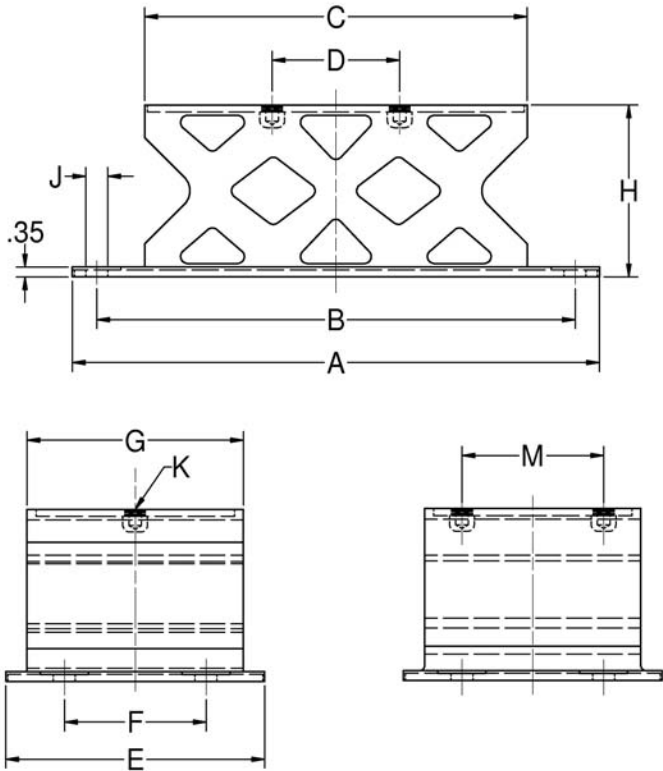


Figure 2 – Installation View

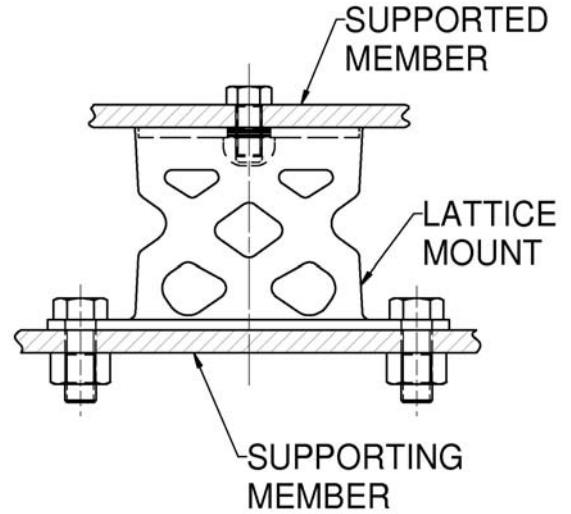


Table 3 – Specifications and Dimensions

Part Number	Part Dimension	Weight Each	
	K ③	lb	kg
J-5984-11	.500-20UNF-2B	5.8	2.6
J-5984-20	.625-18UNF-2B	5.8	2.6
J-4976-8	.500-20UNF-2B	10.6	4.8
J-4976-9	.500-20UNF-2B	10.6	4.8
J-4557-13	.500-20UNF-2B	9.2	4.2
J-5665-35	.500-20UNF-2B	17.3	7.8
J-5665-32	.500-20UNF-2B	26.5	12.0
J-5665-33	.500-20UNF-2B	26.5	12.0
J-5665-34	.500-20UNF-2B	26.5	12.0

③ Maximum permissible depth of thread engagement is 0.53".

Chan-L™ Mounts

Table 1 – Specifications and Dimensions

Part Number	Type	Maximum Static Load Rating				Part Dimensions Under No Load							
		Load		Deflection		A		B		C		D	
		lb	N	in	mm	in	mm	in	mm	in	mm	in	mm
J-2170-1	II	50	222	0.25	6.4	1.00	25.4	①	①	3.69	93.7	4.50	114.3
J-2171-1	II	100	448	0.25	6.4	2.00	50.8	①	①	3.69	93.7	4.50	114.3
J-2172-1	I	200	889	0.25	6.4	4.00	101.6	2.50	63.5	3.69	93.7	4.50	114.3
J-2173-1	I	400	1779	0.25	6.4	8.00	203.2	6.00	152.4	3.69	93.7	4.50	114.3

① One hole centered in each side of mount top plate.

Materials: Steel and Natural Rubber

Table 2 – Specifications and Dimensions

Part Number	Part Dimensions Under No Load								Weight Each	
	E		F		G ②		H Ø		lb	kg
	in	mm	in	mm	in	mm	in	mm		
J-2170-1	2.75	69.9	1.56	39.6	0.59	15.0	0.41	10.4	0.25	0.1
J-2171-1	2.75	69.9	1.56	39.6	0.59	15.0	0.41	10.4	0.50	0.2
J-2172-1	2.75	69.9	1.56	39.6	0.59	15.0	0.41	10.4	1.06	0.5
J-2173-1	2.75	69.9	1.53	38.9	0.59	15.0	0.41	10.4	2.16	1.0

② Provides opening for 3/8" (9.5 mm) hex or square head bolt.

Materials: Steel and Natural Rubber

Vibration Problems: LORD Machinery Mounts are specifically engineered to isolate vertical shocks and reduce transmission of structural noise through floors. If your application involves intermittent or continuous vibration frequencies above 600 cycles per minute, use LORD Chan-L Mounts. If frequencies below 600 cycles per minute are involved, use LORD Lattice Mounts.

Figure 1 – Part Dimensions - Type I

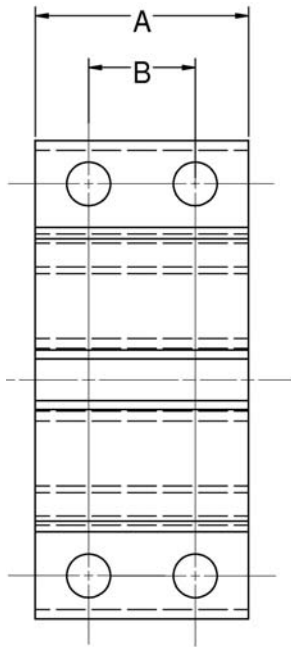


Figure 2 – Part Dimensions - Type II

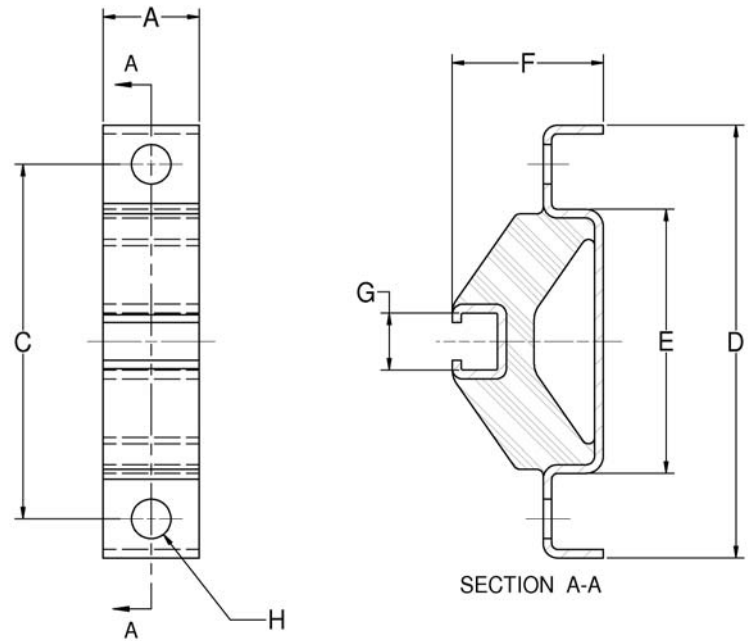
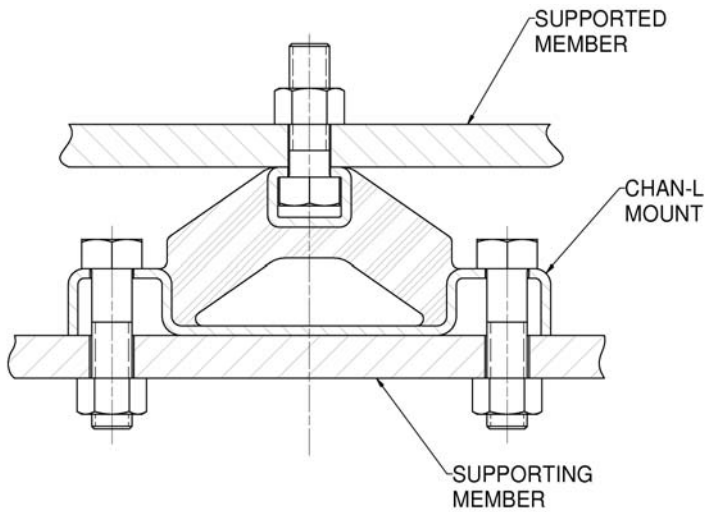


Figure 3 – Installation View



Industrial Shock Mounts

Table 1 – Specifications and Dimensions

Part Number	Figure	Maximum Axial Load		Deflection @ Maximum Axial Load		Part Dimensions							
						A		B		C - Diameter		D	
		lb	N	in	mm	in	mm	in	mm	in	mm		
J-2919-1	1	750-1500	3336-6672	0.03	0.762	2.5	63.5	—	—	0.656	16.7	1.19	30.2
J-2867-1	1	1500-3000	6672-13,345	0.03	0.762	4	101.6	—	—	0.656	16.7	1.19	30.2
J-2866-1	2	3000-7500	13,345-33,362	0.03	0.762	8	203.2	4	101.6	0.656	16.7	1.19	30.2

Material: Parts made of Neoprene Elastomer.

Table 2 – Specifications and Dimensions

Part Number	Part Dimensions				
	E	F		G	
		in	mm	in	mm
J-2919-1	5/8-11UNC-2B	5.5	139.7	7	177.8
J-2867-1	5/8-11UNC-2B	5.5	139.7	7	177.8
J-2866-1	5/8-11UNC-2B	5.5	139.7	7	177.8

Material: Parts made of Neoprene Elastomer.

Installation: Each LORD Industrial Shock Mount is only 1-3/16" (30.16 mm) high. It requires minimal lifting of machinery, and does not shift the machine's center of gravity. The top plate of each Shock Mount is tapped to receive a standard 5/8-11 UNC-2B bolt for attaching to the machine. Through holes are provided on each side of the bottom plate extension for bolting the Shock Mount to the floor.

Vibration Problems: LORD Machinery Mounts are specifically engineered to isolate vertical shocks and reduce transmission of structural noise through floors. If your application involves intermittent or continuous vibration frequencies above 600 cycles per minute, use LORD Chan-L Mounts. If frequencies below 600 cycles per minute are involved, use LORD Lattice Mounts.

Figure 1 – Part Dimensions

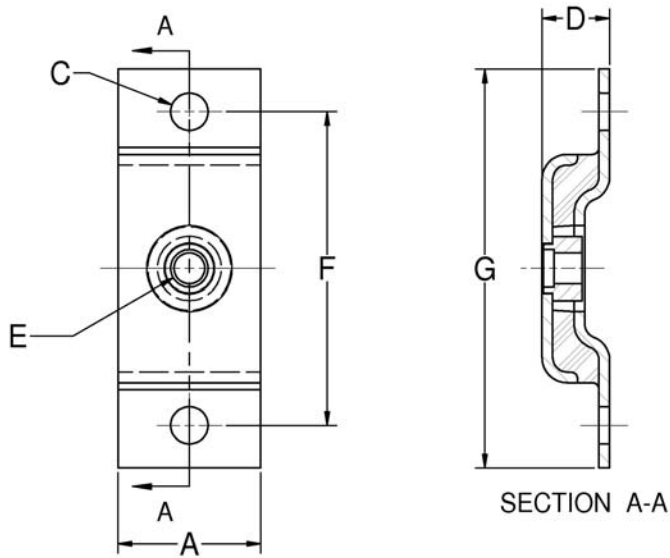


Figure 2 – Part Dimensions

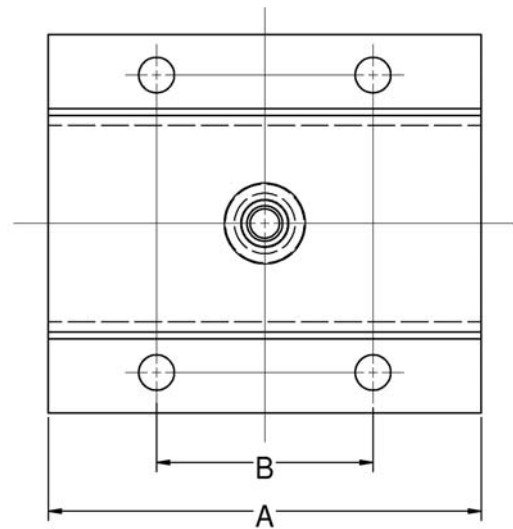
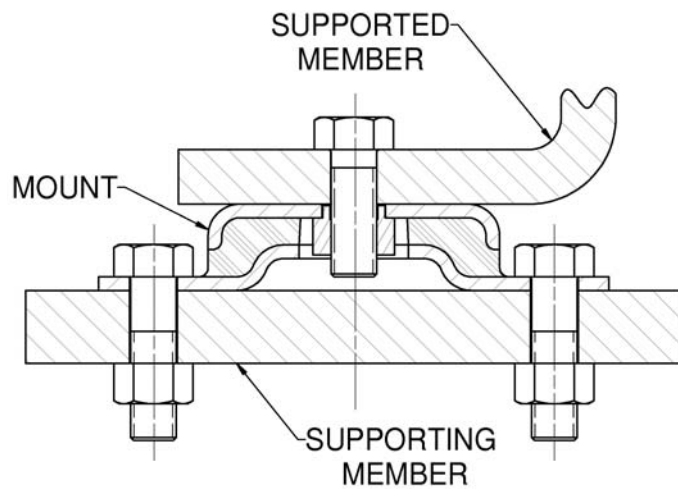


Figure 3 – Installation View



Leveling Mounts

Table 1 – Specifications and Dimensions

Part Number	Maximum Axial Load		Adjusting Bolt		Part Dimensions				Weight Each	
					D		H - Height (Free)			
	lb	N	in	mm	in	mm	in	mm	lb	kg
J-16462-4	4500	20017	3/4 - 10UNC x 5"	127	6-1/4	158.8	1-5/8	41.3	5.0	2.3

Maximum adjustment is 1/2" (12.7 mm). Do not exceed this amount.

Metal housing made of high strength steel - high visibility yellow paint (OSHA approved).

Elastomer: neoprene compounded to resist oil, ozone and caustic material.

Adjustment bolt and lock nut included.

Vertical natural frequency under maximum load: 12 Hz.

Figure 1 – Part Dimensions

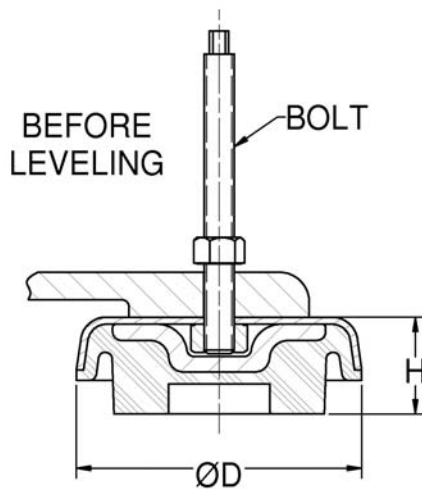
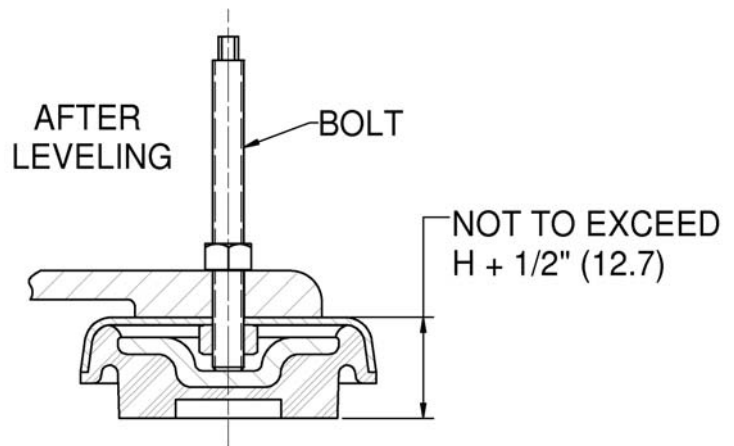


Figure 2 – Part Dimensions



Installation: Before installing, be sure the mounts are the right ones for your machine.

1. Remove adjusting bolt and lock nut from mount.
2. Raise machine and slide mount under foot.
3. Insert adjusting bolt through clearance hole in foot and engage threads in mount.
4. Lower machine onto mounts
5. Turn bolt until it bottoms.

To Level:

6. Level machine by turning the adjusting bolt.
7. Tighten lock nut against machine base.

Contact Us
For your LORD solution



www.midatlanticrubber.com
sales@midatlanticrubber.com

1-800-536-1620