

EDITION MAY 2021

PRICELIST PR-3221-11

TRAFA AUXILIARY TRANSFORMER MODEL STU 400-460/115-230V  
1-phase with separated windings.  
Rated primary tensions: 400 - 460 Volts.  
provided with +/- 5% taps (based on 400 Volts)  
Frequency 50/60 Hz.  
Rated secondary tensions:  
115 / 230 Volts by means of parallel- or serialconnection.  
Primary 20V undertension for 110/220V or 20V overtension  
for 120/240V allowed.  
See undermentioned table.  
Provided with static shield.  
According ships rules ABS, BV, DNV, GL,  
**LROs with certificate nr. 06/30001 (E4),**  
RINA, IEC 92, as far as applicable.  
Insulationclass E, max. ambient temperature 45°C  
Connections: transformer terminals.  
Open version for built-in use.  
Dimensions according dimension sheet 101-10.

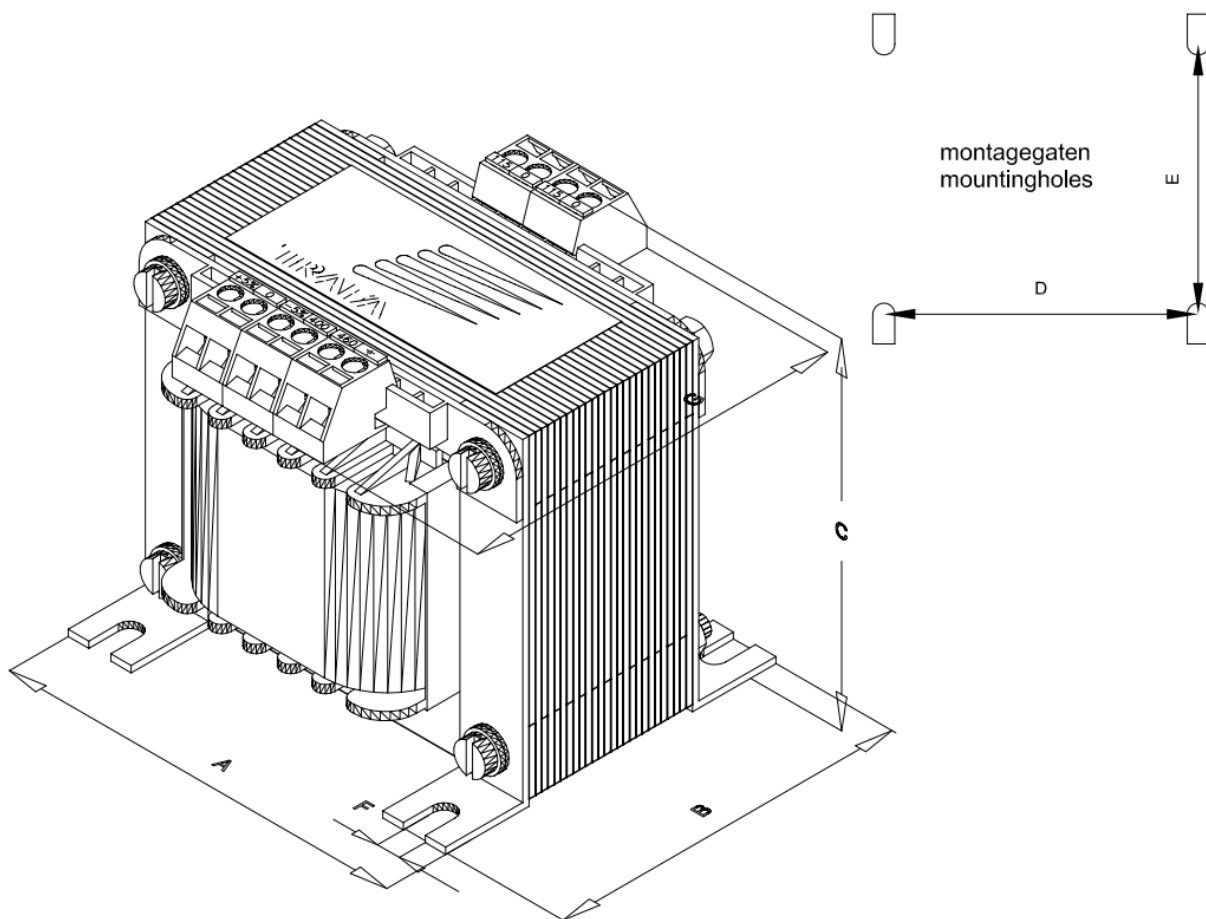
SCHEDULE INPUT AND OUTPUT VOLTAGES STU									
Primary	terminal			Undervoltage 20 Volts			Overvoltage 20 Volts		
	Volts	1	2	Volts	1	2	Volts	1	2
	<b>400</b>	0	400	<b>380</b>	0	400	<b>420</b>	0	400
<b>420</b>	+5%	400	<b>400</b>	+5%	400	<b>440</b>	+5%	400	
<b>440</b>	-5%	460	<b>420</b>	-5%	460	<b>460</b>	-5%	460	
<b>460</b>	0	460	<b>440</b>	0	460	<b>480</b>	0	460	
<b>480</b>	+5%	460	<b>460</b>	+5%	460	<b>500</b>	+5%	460	
Secondary	115/230 Volts			110/220 Volts			120/240 Volts		

TYPENUMBER	TRAFA INTERNAL	POWER RATING in VA	PRICE PER PIECE in €
779040	6161101/56	40	30
779063	6161102/70	63	33
779100	6161103/84	100	36
779160	6161104/98	160	47
779250	6161105/12	250	53
779400	6161106/26	400	73
779630	6161107/40	630	88
771000	6161116/13	1000	114
771600	6161117/27	1600	166

ALSO APPLICABLE TO: GENERAL CONDITIONS PAGE AK-1000-xx (LATEST EDITION)

EDITION MAY 2021

PRICELIST PR-3221-11



Type	VA	A	B	C	D	E	F	G	kg.
779040	40	84,0	78,0	80,0	70,0	63,0	5,0	85,5	1,4
779063	63	84,0	92,0	80,0	70,0	77,0	5,0	99,5	2,0
779100	100	96,0	98,0	90,0	80,0	83,0	5,0	102,0	2,6
779160	160	120,0	94,5	110,0	100,0	75,5	7,0	102,0	3,8
779250	250	120,0	106,5	110,0	100,0	87,5	7,0	111,0	4,9
779400	400	150,0	103,5	131,0	125,0	84,5	7,0	109,0	7,4
779630	630	150,0	121,0	131,0	125,0	101,5	7,0	126,0	9,8
771000	1000	150,0	145,0	130,0	125,0	130,0	7,0	150,0	13,7
771600	1600	174,0	170,0	160,0	145,0	145,0	7,0	150,0	20,8