
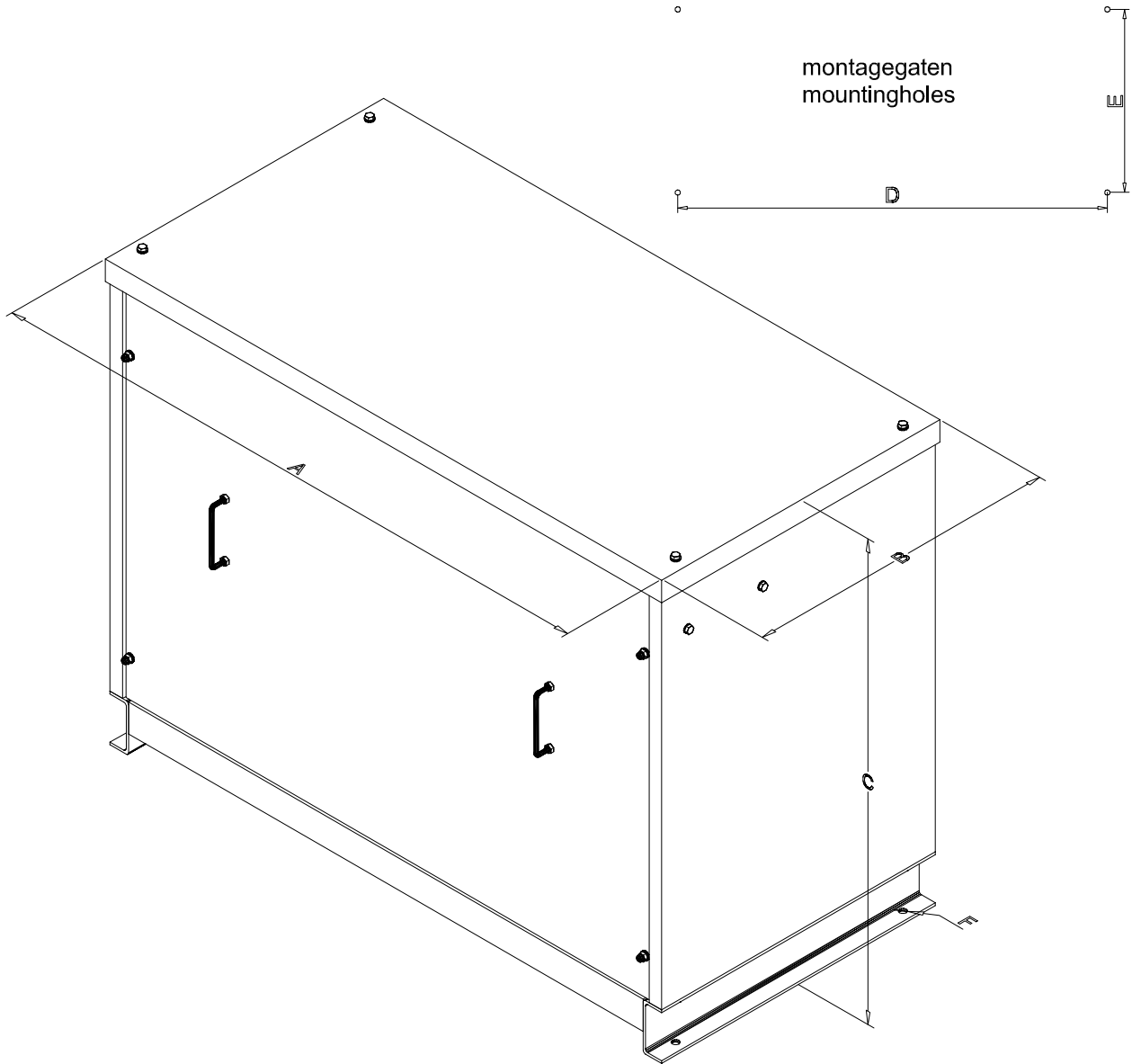


TYPE	OMSCHRIJVING/DESCRIPTION	
SP/B-4-OSE	4 stuks 1-fase transformatoren in 1 kast geschakeld voor 3-fase gebruik 4 pieces of 1-phase transformers in 1 cabinet which are switched for 3 -phase usage	



Type	A	B	C	D	E	F		kg*
1200	1200	600	915	1150	490	14		110
1600	1600	510	845	1560	400	14		135
1800	1800	600	915	1750	490	14		154
2000	2000	750	945	1940	600	18		185

Maten in mm * lege kast

Dimensions in mm *empty cabinet

Specificaties kunnen wijzigen ten gevolge van continue productontwikkelingen.
specifications may vary as a result of continuous product development.

REL.DATE 30-07-2009	C.B	PAGE 17-21	ED.	D
---------------------	-----	------------	-----	---