



# SJIII 3220/26

## ELECTRIC SCISSOR LIFTS

### STANDARD FEATURES

- Tilt sensor 1.5 x 3.5
- Drivable at full height
- Variable speed, rear two wheel hydraulic drive
- Wet disc SAHR brakes
- Proportional controls for drive & lift functions
- 0.91 m roll out extension deck
- 24V DC power source
- 250 Ah batteries
- Low voltage battery protection
- 25% Gradeability
- Solid rubber, non-marking tyres
- Pothole protection system
- Wiring for AC outlet on platform
- Tilt alarm with drive & lift cut-out
- All motion audible alarm
- Overload sensing system
- Lowering warning system
- Lanyard attachment points
- Operator horn
- Flashing light
- Half height spring hinged gate
- Hinged railing system
- Forklift pockets and tie down/lift lugs
- Relay based control system
- Colour coded and numbered wiring system

### ACCESSORIES AND OPTIONS

- AGM batteries
- Dual flashing lights
- Full height spring hinged gate\*
- Light duty pipe rack
- Heavy duty pipe rack
- Board/drywall carrier
- Tool caddy

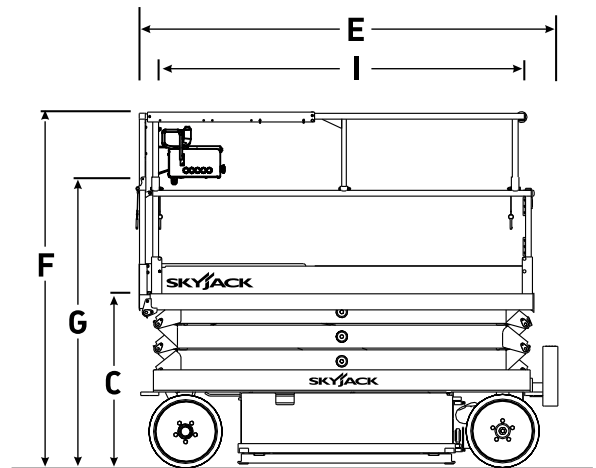
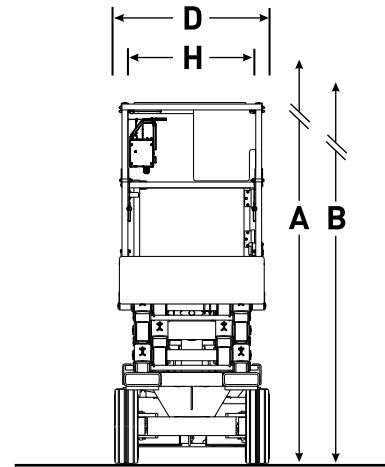
\*not available with hinged railing system

† Standard lead times may be increased when optional equipment is added, consult factory.

‡ Capacities, and machine weights may differ when options are added.

# SJIII 3220/26 ELECTRIC SCISSOR LIFTS

Dimensions	SJIII 3220	SJIII 3226
<b>A</b> Work Height	8.10 m	9.92 m
<b>B</b> Raised Platform Height	6.10 m	7.92 m
<b>C</b> Lowered Platform Height	0.97 m	1.14 m
<b>D</b> Overall Width	0.81 m	0.81 m
<b>E</b> Overall Length	2.32 m	2.32 m
<b>F</b> Stowed Height (Rails Up)	1.97 m	2.15 m
<b>G</b> Stowed Height (Rails Down)	1.73 m	1.91 m
<b>H</b> Platform Width (Inside Dimension)	0.71 m	0.71 m
<b>I</b> Platform Length (Inside Dimension)	2.13 m	2.13 m
Specifications	SJIII 3220	SJIII 3226
Extension Deck (Roll Out)	0.83 m	0.83 m
Ground Clearance (Stowed)	8.89 cm	8.89 cm
Ground Clearance (Raised)	1.91 cm	1.91 cm
Wheelbase	1.75 m	1.75 m
Weight	1,872 kg	1,890 kg
Gradeability	25%	25%
Turning Radius (Inside)	1.27 m	1.27 m
Turning Radius (Outside)	2.74 m	2.74 m
Lift Time (With Rated Load)	33 sec	53 sec
Drive Speed (Stowed)	3.2 km/h	3.2 km/h
Drive Speed (Raised)	1.1 km/h	1.1 km/h
Maximum Drive Height	Full Height	Full Height
Capacity (Overall)	363 kg	227 kg
Maximum # of Persons (0 wind rating)	2	2
Maximum # of Persons (12.5 m/sec wind rating)	1	N/A



**Skyjack Australia Pty Ltd**  
 4 Coates Place  
 Wetherill Park  
 New South Wales, 2164  
 Tel: +61 (0) 2878 63200  
 Fax: +61 (0) 2878 63222  
 Email: jcranmer@skyjack.com

[www.skyjack.com](http://www.skyjack.com)

This brochure is for illustrative purpose only and based on the latest information at the time of printing. Skyjack Inc. reserves the right to make changes at any time, without notice, to specifications, standard and optional equipment. Consult the Operating Maintenance and Parts Manuals for proper procedures. AS marked platforms are in conformance to Standard AS/NZS 1418.10:2011.