

DATASHEET

HAWKEYE 2MP - NETWORK CAMERA WITH POE - IP67

HDTV 1080p / 2 MP

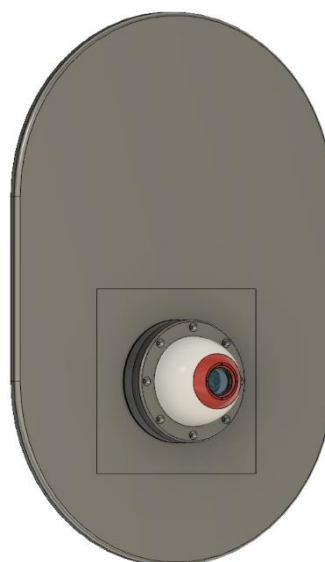
The HawkEye is a fixed mini camera for use in process and maritime environments. The sphere form of the camera and the available brackets and fixtures makes it easy to adjust the camera angle.

The camera is made of food grade POM, and the brackets are made of stainless steel. The shape of the camera, the robust design and the materials used ensures that camera can withstand cleaning. At the same time there are minimal dirt pockets that can gather water or bacteria. Hence the camera is suitable for use in the food process industry.

The front of the camera is IP 68 and by using the stainless version of the position ring it can be mounted in the wall of the cargo tanks for fish. The round shape of the camera ensures that there will be no damage to the cargo.



HawkEye with stainless steel bracket



HawkEye mounted in hatch for cargo tank

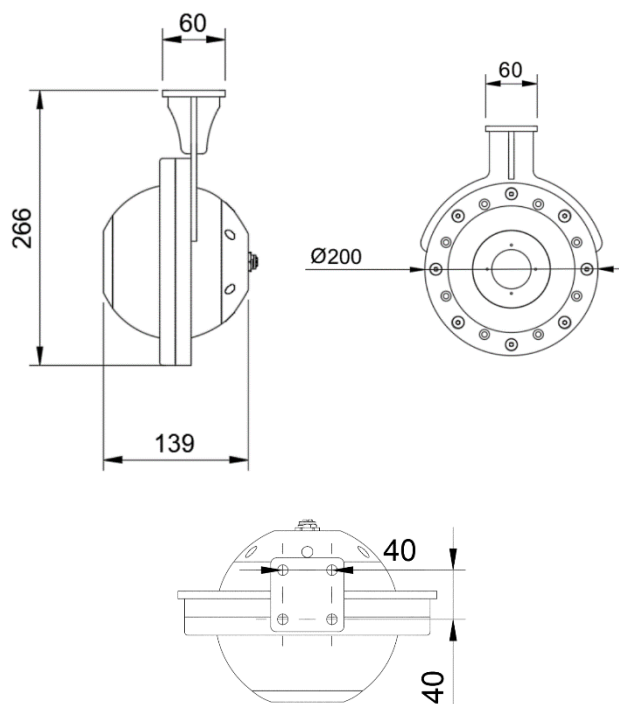
- Compact form factor
- Camera body and brackets made of food grade POM and stainless steel
- Cleanable
- IP68 frontend
- IP67 backend (when connector is mated)
- Easy to adjust camera angle
- HD image: 1920x1080
- POE



HAWKEYE 2MP NETWORK CAMERA WITH POE – IP67

HDTV 1080p / 2 MP

Camera	
Image sensor	1/3" progressive scan RGB CMOS
Lens	M12 mount, fixed iris, fixed focus 2.8 mm, F2.0 Horizontal field of view: 106° Vertical field of view: 59°
Light sensitivity	0.25 lux at 50 IRE F2.0
Shutter time	1/32500 s to 1/5 s
Video	
Video compression	H.264 (MPEG-4 Part 10/AVC) Baseline, Main and High Profiles Motion JPEG
Resolution	1920x1080 (1080p) to 320x240
Frame rate	25/30 fps with power line frequency 50/60 Hz
Video streaming	Multiple, individually configurable streams in H.264 and Motion JPEG Controllable frame rate and bandwidth VBR/MBR H.264 HDMI
Multi-view streaming	Up to 2 individually cropped out view areas in full frame rate
HDMI output	HDMI 1080p@25/30 fps (50/60 Hz) HDMI 1080i@50/60 fps (50/60 Hz) HDMI 720p@50/60 fps (50/60 Hz) HDMI 720p@25/30 fps (50/60 Hz)
Image settings	Compression, color, brightness, sharpness, contrast, white balance, exposure control, WDR, text and image overlay, mirroring of images, privacy mask Rotation: 0°, 90°, 180°, 270°, including Corridor Format
Network	
Security	Password protection, IP address filtering, HTTPS ^a encryption, IEEE 802.1X ^a network access control, digest authentication, user access log, centralized certificate management, brute force delay protection, signed firmware.
Supported protocols	IPv4, IPv6 USGv6, HTTP, HTTPS ^a , SSL/TLS ^a , QoS Layer 3 DiffServ, FTP, SFTP, CIFS/SMB, SMTP, Bonjour, UPnP TM , SNMPv1/v2c/v3 (MIB-II), DNS, DynDNS, NTP, RTSP, RTP, TCP, UDP, IGMP, RTCP, ICMP, DHCP, ARP, SOCKS, SSH, HDMI 1.4b, LLDP



General	
Casing/brackets	IP67 when connector is mated. Front of camera is IP 68. Camera body made of food grade POM. Brackets and bolts made of stainless steel.
Power	Power over Ethernet (PoE) IEEE802.3af/802.3atType1Class1 Typical 2.6 W, max 3.0W
Connector	M12 x-coded, cat 6A, 8 pole
Weight	3,1kg with bracket and bolts
Operating conditions	-10 °C to 45 °C (32 °F to 113 °F)
Storage conditions	-40 °C to 65 °C (-40 °F to 149 °F)