



MicroLouvre™ FHA Screens Datasheet

Frame options:

Various to suit application

Thickness of fabric:

1.5mm coated

Weft width:

1.25mm coated

Louvre pitch:

1.5mm centre to centre

Weft thickness:

0.30mm coated

Gap between each louvre:

1.20mm coated

Warp spacing:

12.70mm centre to centre

Clear open area:

80%

Openness factor:

67%

Screen weight:

3-4 kg/m² dependent on frame option/size

Frame composition:

Extrusions - Aluminium EN AW-6063 T6

Lacer Wire – 316 Stainless Steel

Anti-Vibration Wedge – Ceramic Thermal Break - to suit application

Fabric composition:

90% CuZn10 (C220) commercial bronze and 10% CUSi3Mn1 (C655) silicon bronze

Finishes:

Polyester powder coat in any RAL colour (with the ability to create designs on the fabric which are directionally visible)

Fire rating:

Class A1/A2-s1,d0 in accordance with BS EN 13501-1:2007+A1:2009

Fire attenuation:

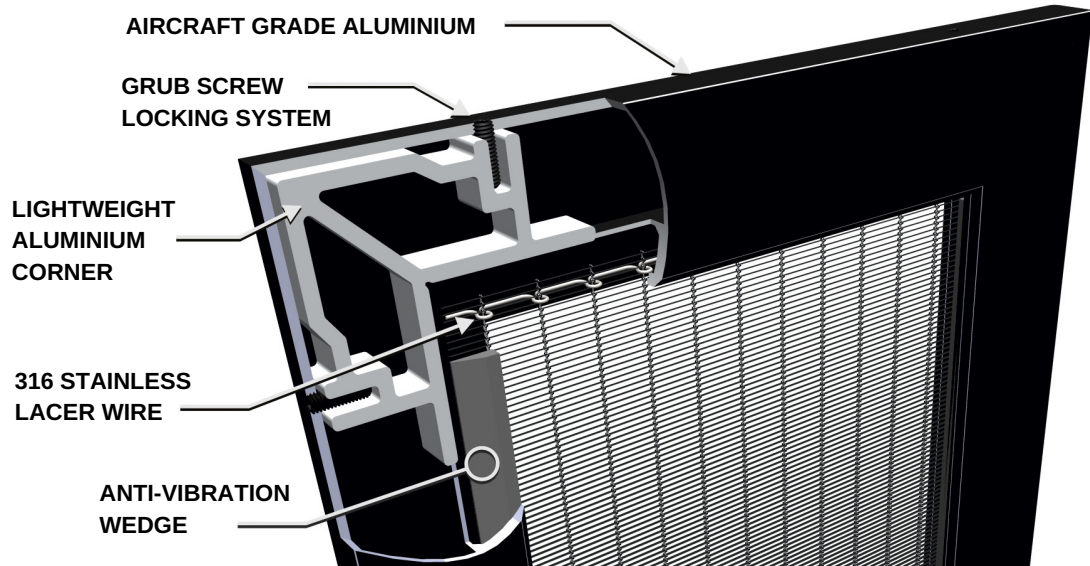
49.4% | Compliant screening for bushfire up to BAL-40 (based on 40kW/m² incident irradiance)

Resistance to wind:

Hurricane proof: 100mph/160kph

Wind load:

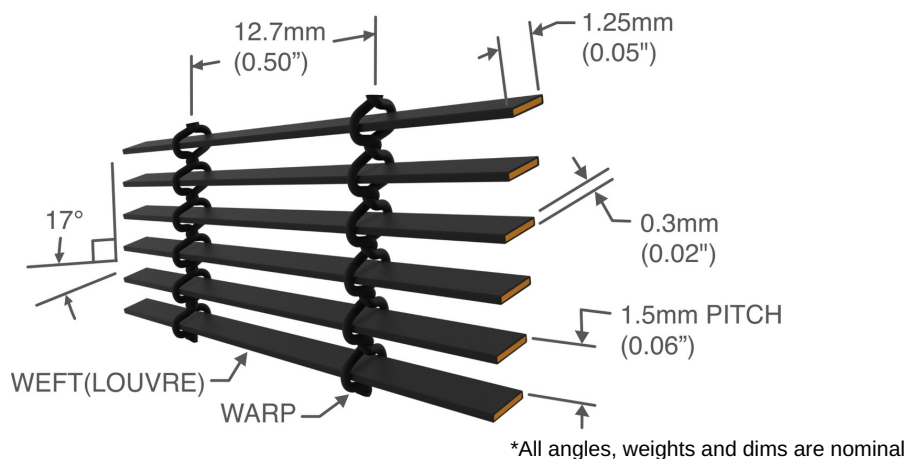
<14.65 kgf/m²



A result of decades of extensive international research and development, MicroLouvre is a high-performance, woven metal fabric, with its weft constructed of bronze louvres. Window covering screens are constructed by tensioning the fabric in aluminium framing and with all fasteners, anchors and hardware comprised of robust non-combustible materials. The micro-fine louvres are angled to suit a number of applications; it ensures optimum light in, and visibility out, whilst reflecting heat and providing protection from flame penetration, flying embers and burning debris.

Fully A1/A2 non-combustible and when tested by CSIRO achieved a 49.4% attenuation. With micro louvres spaced just 1.2mm apart, our screens provide protection to AS3959 up to BAL-FZ, plus complete solar shading and fire protection of a whole window up to BAL-19.

A passive, easily installed and moveable whole window protection system.



Solar Shading	Glare Protection
Fire Protection	Heat Attenuation
Pest Protection	Privacy and Security

Visit us: www.smartlouvre.com

Talk to us: +44 (0) 239 245 6333

Request a sample: info@smartlouvre.com