

## Lilaas control lever – LF150

Lilaas offers a wide range of high quality steering wheels for electronic control. Below you will find a simple technical description of LF150 basic models.



LF150-01-19



LF150-01-30

### Specification details basic versions

Materials / Finish	Steel A2, Al, POM, alodine, powder coating
Weight (net)	Approx. 3 kg
Movement, LF150-01-19 / LF150-01-30	$\pm 60^\circ / \pm 155^\circ$
Detent	In zero
Panel plate	96 x 144 mm
Wheel diameter / grip	350 mm / steel or padded
Potentiometers	Single 5 k $\Omega$ , linear
Termination	16 pins contact with plug
For external dimensions and cut-out, customization and options see page 2	

Lilaas AS, Kongeveien 75, P.O. Box705, N-3196 Horten, Norway. Tel: +47 33 03 18 50, fax: +47 33 03 18 60  
 Bank no: 2450.05.05628, NO917 748 446 MVA, E-mail : [sales@lilaas.no](mailto:sales@lilaas.no)

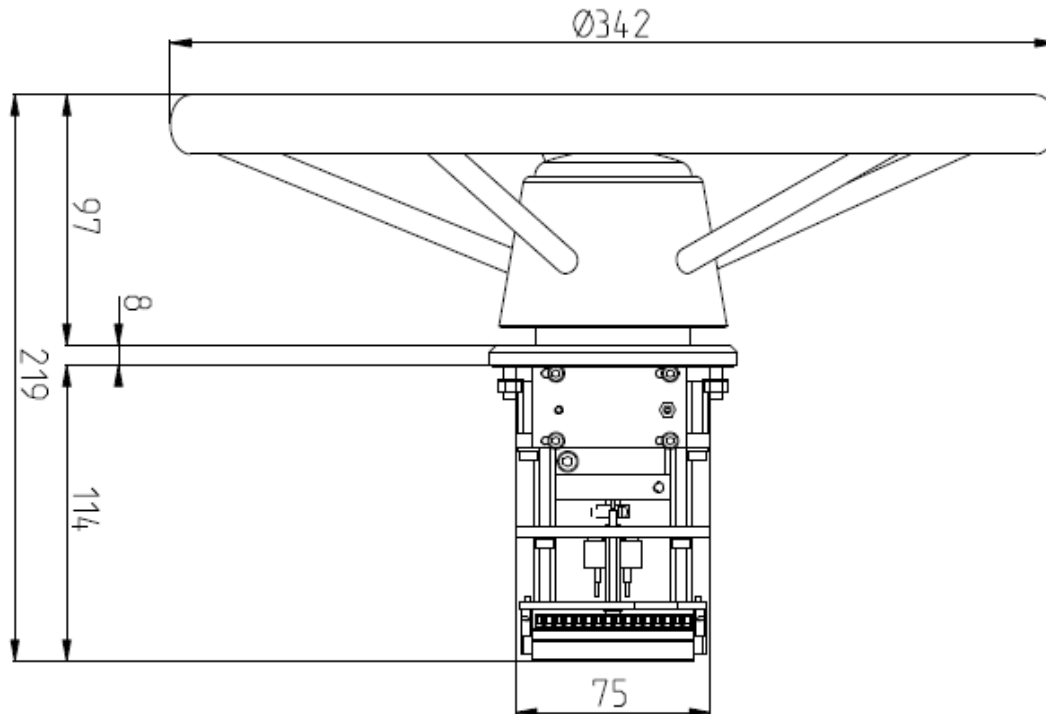
Certified according to NS-EN ISO 9001:2008

For more info, see our website <http://www.lilaas.no/>

## Standard potentiometer

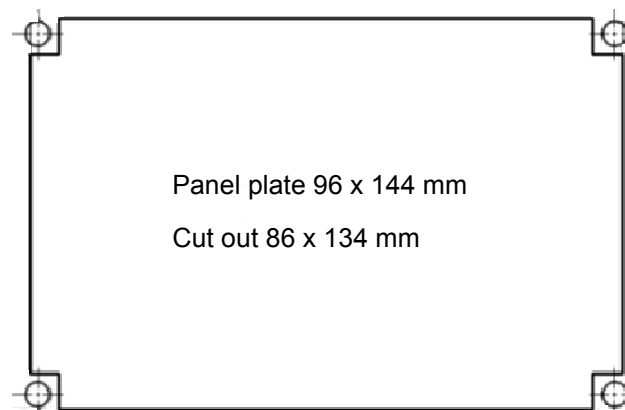
The standard potentiometer is of a plastic conductive type measuring 5 k $\Omega$  between the end points. The potentiometer must be used as a voltage divider and not as a rheostat. Wiper current must not exceed 1 mA.

## External dimensions and cut-out



**LF150-01-19**

Below the panel plate, the outer dimensions of LF150-01-30 are the same as above sketch and insignificant differently above the panel plate.



Do you need an extended version? To simplify the customization process, please fill in your request to Lilaas in the *Spec your request* form below and forward it to: [sales@lilaas.no](mailto:sales@lilaas.no)

We will revert with price and availability.

Spec your request		
Options, other than standard	Yes	Description
Panel plate custom		
Wheel		
Potentiometer		
Mechanical movement		
Scale		
Scale light		
Detents		
Springloaded return		
Micro switch		
Termination		
Other		

Specification from:	Contact person:
Company:	E-mail:
	Telephone:



Lilaas AS is a world leading manufacturer of various types of control levers and joysticks for marine and offshore use.

As a result of unique design, top-grade materials and thorough test procedures, we produce products of high quality that requires a minimum of service and maintenance.

The control units from Lilaas include levers, controlling mechanism and accompanying electronics.

The products range from simple, one-axis control levers in different sizes, hand wheels and rudder controls to azimuth control units and multi-axis joysticks.

All units may be delivered motorised on all axes and with several optional features. The products comply with stringent certification requirements.

All kinds of vessels, from small fishing boats and ferries, via supply vessels to large tankers and cruise ships may be manoeuvred by control levers from Lilaas.

The products are certified by DNV and the company is certified under NS-EN ISO 9001-2008.

### Lilaas AS

**Kongeveien 75, P.O. Box705, N-3196 Horten, Norway.**

**Tel: +47 33 03 18 50, fax: +47 33 03 18 60**

**E-mail : [sales@lilaas.no](mailto:sales@lilaas.no)**

**Certified service partner:**

Z-POWER Automation Pte Ltd  
No. 8 Penjura Lane  
Singapore 609189  
SINGAPORE

Tel: +6564651925  
Fax: +6564651926  
E-mail: [info@z-power.com.sg](mailto:info@z-power.com.sg)  
[www.z-power.com.sg](http://www.z-power.com.sg)

**Certified distributor:**

Shanghai EJH Group Co. Ltd  
Room 501, No.1165, Jiang Ning Road,  
Shanghai, CHINA 200060

Tel: +61072296/62300624/61398478  
Hotline: 18017019329  
Fax: +862161303138  
E-mail: [sales@ejhul.com](mailto:sales@ejhul.com)  
[www.ejhul.com](http://www.ejhul.com)

**Certified distributor:**

Imtra Corporation  
30 Samuel Barnet Boulevard  
New Bedford, MA 02745 USA

Tel: +1 508 995-7000  
Fax: +1 508 998-5359  
E-mail: [alex@imtra.com](mailto:alex@imtra.com)  
[www.imtra@com](http://www.imtra@com)

