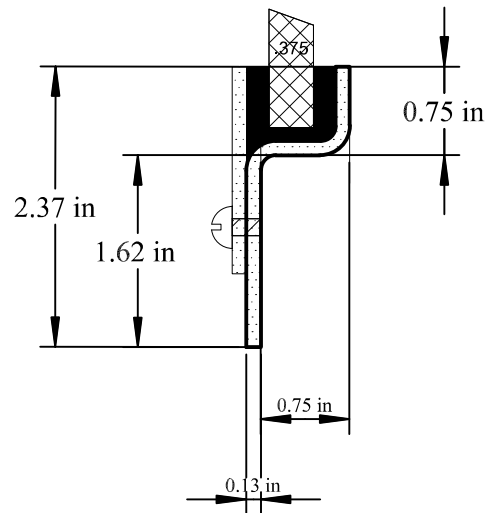
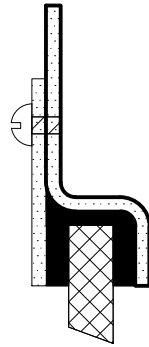


OUTSIDE

INSIDE



NOTES:

- Glazing: 3/8"-1/2"
- Material: 304 Stainless Steel
- Mitered Corners
- Heel Tolerance: +0/-1/4"
- Mouting Holes 9/32" On 6" Nominal Centers



PROPRIETARY AND CONFIDENTIAL
THE INFORMATION CONTAINED IN
THIS DRAWING IS THE SOLE PROPERTY
OF SEACLEAR INDUSTRIES, ANY
REPRODUCTION IN PART OR IN WHOLE
WITHOUT WRITTEN PERMISSION IS
PROHIBITED

SEACLEAR INDUSTRIES
2020 MALTBY ROAD S#131
BOTHELL, WA 98021 USA

TITLE

SS 304 Fixed Frame

SIZE	DRAWN BY: RS	DWG NO	ZF5SS	REV A
------	-----------------	--------	-------	----------

SCALE: NOT TO SCALE DATE 10/23/2018 SHEET 1 of 1