

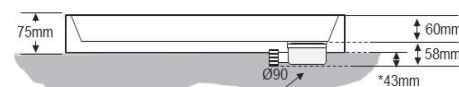
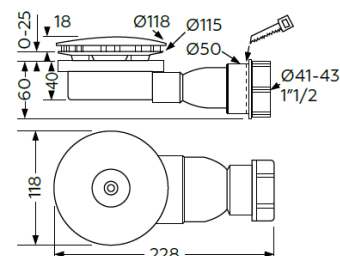
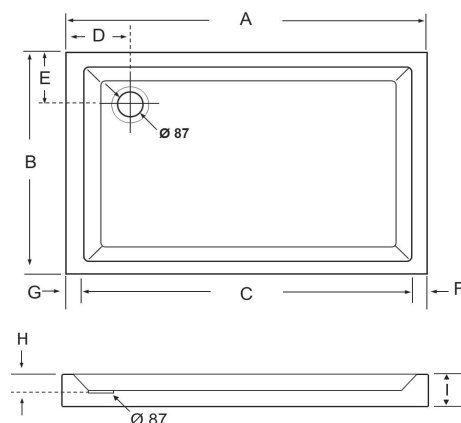


PLANÍSSIMA



TOLERÂNCIA +/- 1%

MEDIDA (mm)	REFERÊNCIA	A	B	C	D	E	F	G	H	I	ALTURA INTERIOR	PESO LÍQUIDO	VOLUME
900x700	160306109070	900	700	800	180	180	50	50	60	75	45	10,5kg	900x700x100
900x750	160306109075	900	750	800	180	180	50	50	60	75	45	10,7kg	900x750x100
900x800	160306109080	900	800	800	180	180	50	50	60	75	45	11kg	900x800x100
1000x700	1603061010070	1000	700	900	180	180	50	50	60	75	45	11,5kg	1000x700x100
1000x750	1603061010075	1000	750	900	180	180	50	50	60	75	45	12kg	1000x750x100
1000x800	1603061010080	1000	800	900	180	180	50	50	60	75	45	12,5kg	1000x800x100
1000x900	1603061010090	1000	900	900	180	180	50	50	60	75	45	14kg	1000x900x100
1100x700	1603061011070	1100	700	1000	180	180	50	50	60	75	45	12,1kg	1100x700x100
1100x750	1603061011075	1100	750	1000	180	180	50	50	60	75	45	12,6kg	1100x750x100
1100x800	1603061011080	1100	800	1000	180	180	50	50	60	75	45	13,2kg	1100x800x100
1100x900	1603061011090	1100	900	1000	180	180	50	50	60	75	45	15,5kg	1100x900x100
1200x700	1603061012070	1200	700	1100	180	180	50	50	60	75	45	13kg	1200x700x100
1200x750	1603061012075	1200	750	1100	180	180	50	50	60	75	45	13,7kg	1200x750x100
1200x800	1603061012080	1200	800	1100	180	180	50	50	60	75	45	14,5kg	1200x800x100
1200x900	1603061012090	1200	900	1100	180	180	50	50	60	75	45	17,4kg	1200x900x100
1300x700	1603061013070	1300	700	1200	180	180	50	50	60	75	45	14,5kg	1300x700x100
1300x750	1603061013075	1300	750	1200	180	180	50	50	60	75	45	16,2kg	1300x750x100
1300x800	1603061013080	1300	800	1200	180	180	50	50	60	75	45	15,2kg	1300x800x100
1300x900	1603061013080	1300	900	1200	180	180	50	50	60	75	45	16,5kg	1300x900x100
1400x700	1603061014070	1400	700	1300	180	180	50	50	60	75	45	18,7kg	1400x700x100
1400x750	1603061014075	1400	750	1300	180	180	50	50	60	75	45	15,2kg	1400x750x100
1400x800	1603061014080	1400	800	1300	180	180	50	50	60	75	45	16,4kg	1400x800x100
1400x900	1603061014090	1400	900	1300	180	180	50	50	60	75	45	18,4kg	1400x900x100
1500x700	1603061015070	1500	700	1400	180	180	50	50	60	75	45	20,2kg	1500x700x100
1500x750	1603061015075	1500	750	1400	180	180	50	50	60	75	45	16,1kg	1500x750x100
1500x800	1603061015080	1500	800	1400	180	180	50	50	60	75	45	17,5kg	1500x800x100
1500x900	1603061015090	1500	900	1400	180	180	50	50	60	75	45	19,1kg	1500x900x100
1600x700	1603061016070	1600	700	1500	180	180	50	50	60	75	45	21,5kg	1600x700x100
1600x750	1603061016075	1600	750	1500	180	180	50	50	60	75	45	18,6kg	1600x750x100
1600x800	1603061016080	1600	800	1500	180	180	50	50	60	75	45	19,2kg	1600x800x100
1600x900	1603061016090	1600	900	1500	180	180	50	50	60	75	45	19,9kg	1600x900x100
1700x700	1603061017070	1700	700	1600	180	180	50	50	60	75	45	20kg	1700x700x100
1700x750	1603061017075	1700	750	1600	180	180	50	50	60	75	45	21,9kg	1700x750x100
1700x800	1603061017080	1700	800	1600	180	180	50	50	60	75	45	26,5kg	1700x800x100
1700x900	1603061017090	1700	900	1600	180	180	50	50	60	75	45	28kg	1700x900x100
1800x700	1603061018070	1800	700	1700	180	180	50	50	60	75	45	22kg	1800x700x100
1800x750	1603061018075	1800	750	1700	180	180	50	50	60	75	45	22,5kg	1800x750x100
1800x800	1603061018080	1800	800	1700	180	180	50	50	60	75	45	23kg	1800x800x100
1800x900	1603061018090	1800	900	1700	180	180	50	50	60	75	45	28,5kg	1800x900x100
1900x800	1603061019080	1900	800	1800	180	180	50	50	60	75	45	24kg	1900x800x100
1900x900	1603061019090	1900	900	1800	180	180	50	50	60	75	45	29kg	1900x900x100
2000x800	1603061020080	2000	800	1900	180	180	50	50	60	75	45	26kg	2000x800x100
2000x900	1603061020090	2000	900	1900	180	180	50	50	60	75	45	30kg	2000x900x100



*cota válida para válvula slim sifonada Ø90 com reservatório, fornecida pela ASD.

CARACTERÍSTICAS:

Base duche em chapa acrílica termomoldada na cor branca e reforçada em fibra de vidro e resina de poliéster; Fundo liso opcionalmente poderá aplicar antideslizante Plangrip ou adquirir estrado em fenólico nos acabamentos castanho, faia, mel, wengué ou zebnano.

Fornecida com válvula sifonada 90mm Slim com uma altura reduzida (58 a 60mm), reservatório, 3 encaixes de fixação e tampa em ABS cromado.

Pitons para nivelamento da base de duche | NORMA: NP EN 14527:2006 + A1 (2013)

MANUTENÇÃO:

Evitar contacto com lacas, removedor de verniz, dissolventes orgânicos, cigarros acesos ou outros produtos corrosivos. Não limpar com esfregões abrasivos, apenas com água, sabão e uma pano macio.