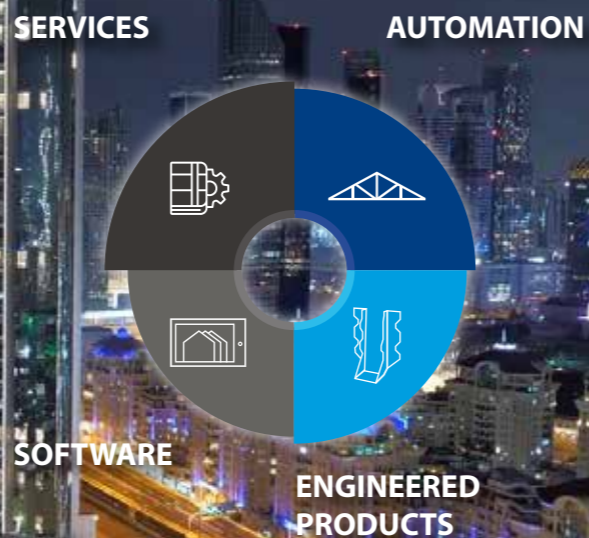


# Posi™ - Joist

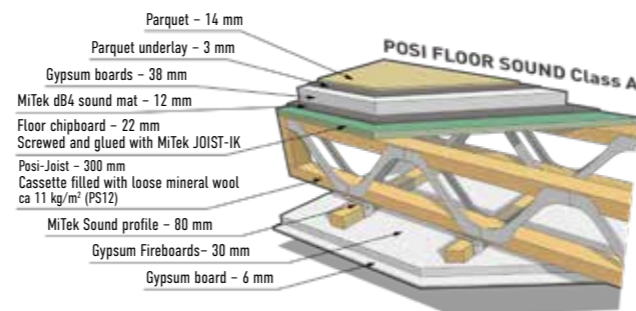
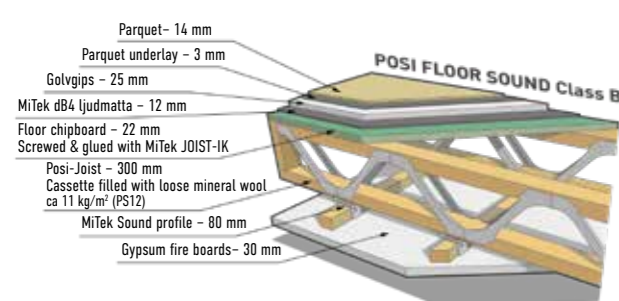
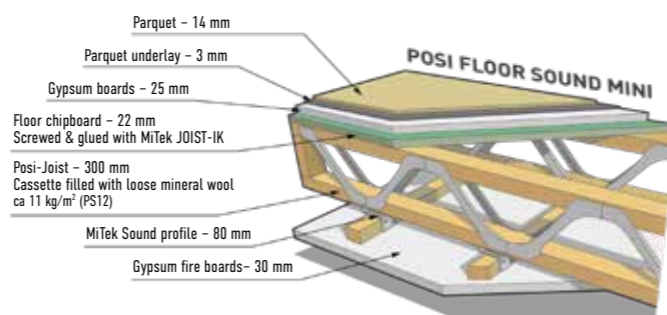
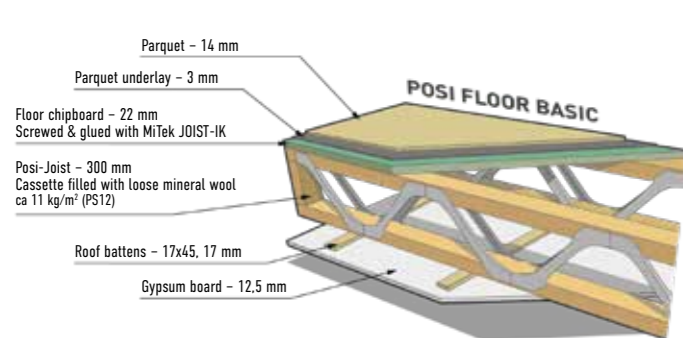
MiTek® BUILDING ACCELERATION

MiTek exists to create breakthroughs in building that accelerate the genius of our customers. Our mission is to transform building that transforms global communities.



MiTek has performed comprehensive lab and field testing to create and verify cost-effective flooring systems with excellent performance regarding sound reduction and acoustics. The system is built with standard dry components, with no need for casting.

Light-weight flooring systems are becoming more popular and can replace steel and concrete flooring. The Posi-Joist flooring system makes for an easier and faster building process, saves time, energy and is, therefore, easier on the environment and will lead to lower overall building costs.



Posi™ - Joist  
THE METAL WEB JOIST SYSTEM

# Posi-Joist™

THE METAL WEB JOIST SYSTEM

## STRENGTH

Posi-Joist combines the lightness of timber with the strength of the Posi-Strut steel web. Large spans compared to alternative products, along with the open web design gives you unequalled design freedom across a wide range of applications for floors in domestic, industrial and commercial applications.

Posi-Joist allows a variety of internal room layouts within an external shell due to its clear spanning capabilities.

## KEY BENEFITS

- **Longer Spans** allow design freedom
- **Open Web design** creates a service void for ease of access
- **Lightweight Construction** means joists are easy to handle
- **Factory Manufactured** ensures a quality product, delivered made to measure
- **Wide Fixing Surface** makes fixing of floor deck and ceilings simple and minimises shrinkage
- **Acoustic Performance** exceptional sound performance
- **A wide range of end details** provide flexibility and can eliminate the need for expensive hangers and metalwork

## SIMPLICITY

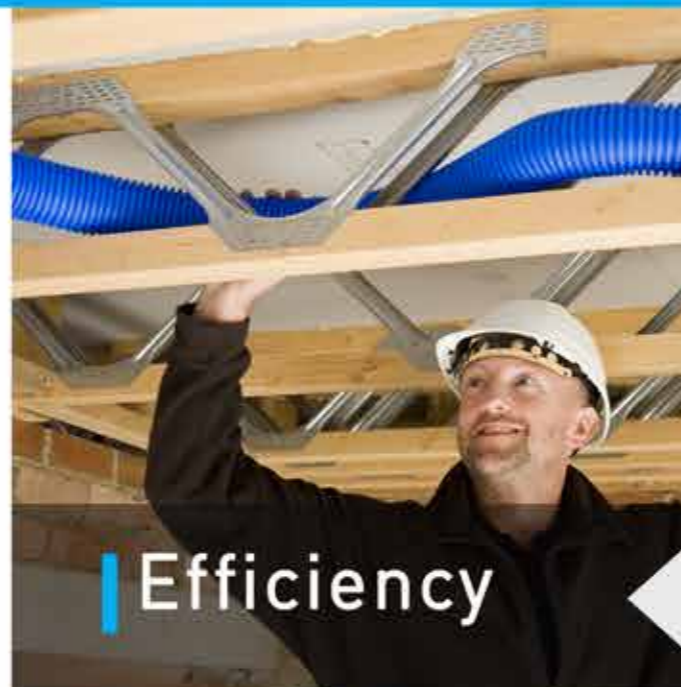
Easy access for the installation and maintenance of the services in the floor zone is the clear advantage of the Posi-Joist system. This leads to considerable time and monetary savings.

With the open steel web design, your insulation options are endless, you have great design freedom and the light self-weight of the system makes it easy to install.

**The open web construction allows for services and utilities to be easily routed through the joists with no need for cutting or drilling or battening out.**

**Posi-Joist can be specified in a wide range of depths and specifications:**

Web type	Clearance between flanges	Standard depth
PS8	108mm	198mm
PS9	131mm	221mm
PS10	159mm	249mm
PS12	210mm	300mm
PS14	279mm	369mm
PS16	327mm	417mm



## Efficiency

Whilst an initial linear metre cost comparison with solid joist alternatives may suggest otherwise, Posi-Joist's light self-weight and large span capabilities, coupled with its open web design gives the contractor several important cost saving advantages. The installation of services and utilities is far simpler and quicker with Posi-Joists, reducing both labour costs and build-up time on site.

Joists are manufactured in a controlled offsite environment ensuring a quality product, and are delivered 'made to measure' allowing for speedy erection. The job's done far more quickly and the contractor makes worthwhile savings.

What's more, Posi-Joists will often eliminate the need for load-bearing intermediate walls, dramatically cutting overall building costs.



## Performance

Exceptional floor performance from a wide fixing surface makes flooring easy, controls shrinkage and with precision engineering it all reduces those tiresome return visits and remedial work.

Posi-Joist delivers outstanding acoustic performance, easily passing the relevant regulations.

Long spans with good vibration and deflection values adds to the great sound and acoustic properties. See system details on the next page.



## Versatility

Design versatility is inherent in the concept of the Posi-Joist. The depth, length and width can be adjusted to produce an enormous number of different specifications, each with clearly defined performance criteria.

In addition, Posi-Joist end details can be altered to give a variety of support conditions.

The Posi-Joist Trimmable End incorporates a solid timber block which can be engineered with up to 130mm allowance for trimming on site. Top Hung joists can eliminate the need for hangers, saving cost and time on site.