

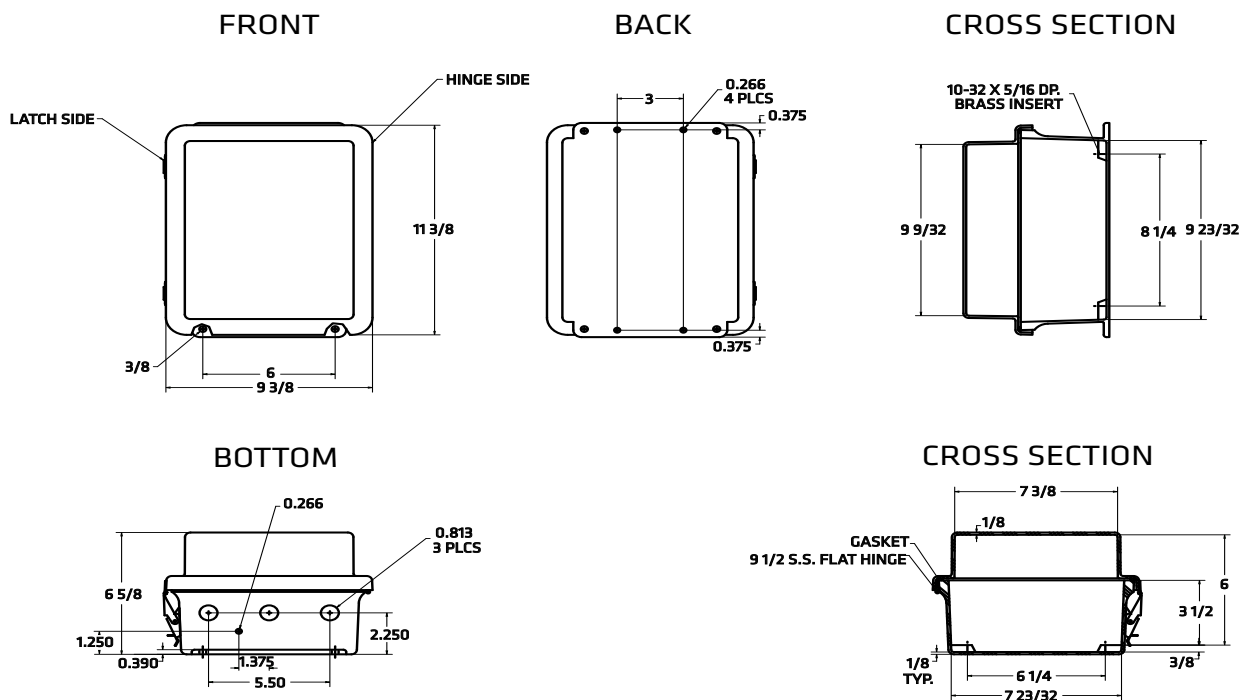
## Lightweight fiberglass cabinet

Lightweight, durable, and low-cost, the fiberglass pole-mounted cabinet is ideal for use in a traffic detection installation. This cabinet offers unobstructed sidewalls, built-in mounting capabilities, strength characteristics, and depth of cover.

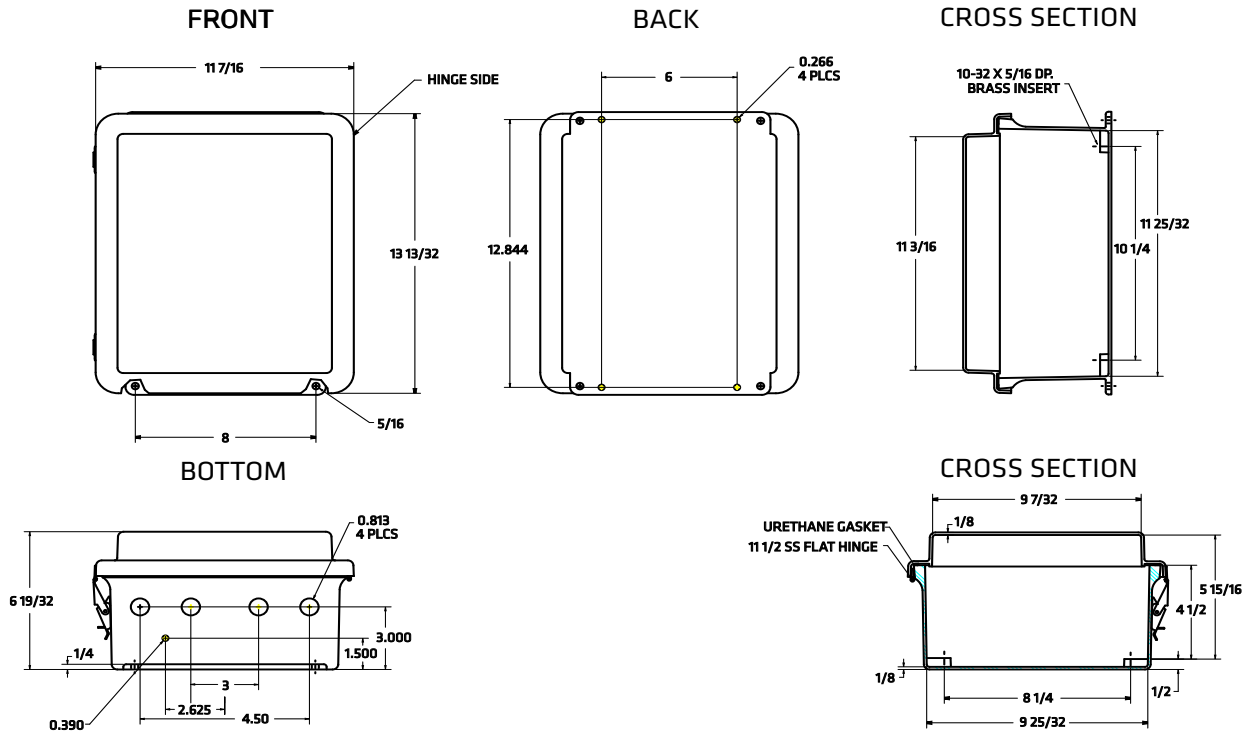


- Solidly constructed
  - Chemical- and UV-resistant through use of SolarGuard™ technology
  - Compression-molded fiberglass-reinforced polyester
  - Overhang cover on smooth-sided base
  - Stainless steel latches, screws, and full-length hinge
  - Seamless polyurethane door gasket
  - Padlock latch for quick entry
  - NEMA 3R/4X
  - UL listed
  - Lightweight
- Raised cover for additional depth
  - Optional cable grips provide a water-tight and weatherproof entry for running cables into the cabinet
  - Ships with backplate and mounting brackets
  - Integrated mounting flange
  - 180° door opening
  - Two latches: hinged lock latch and hinged padlock latch

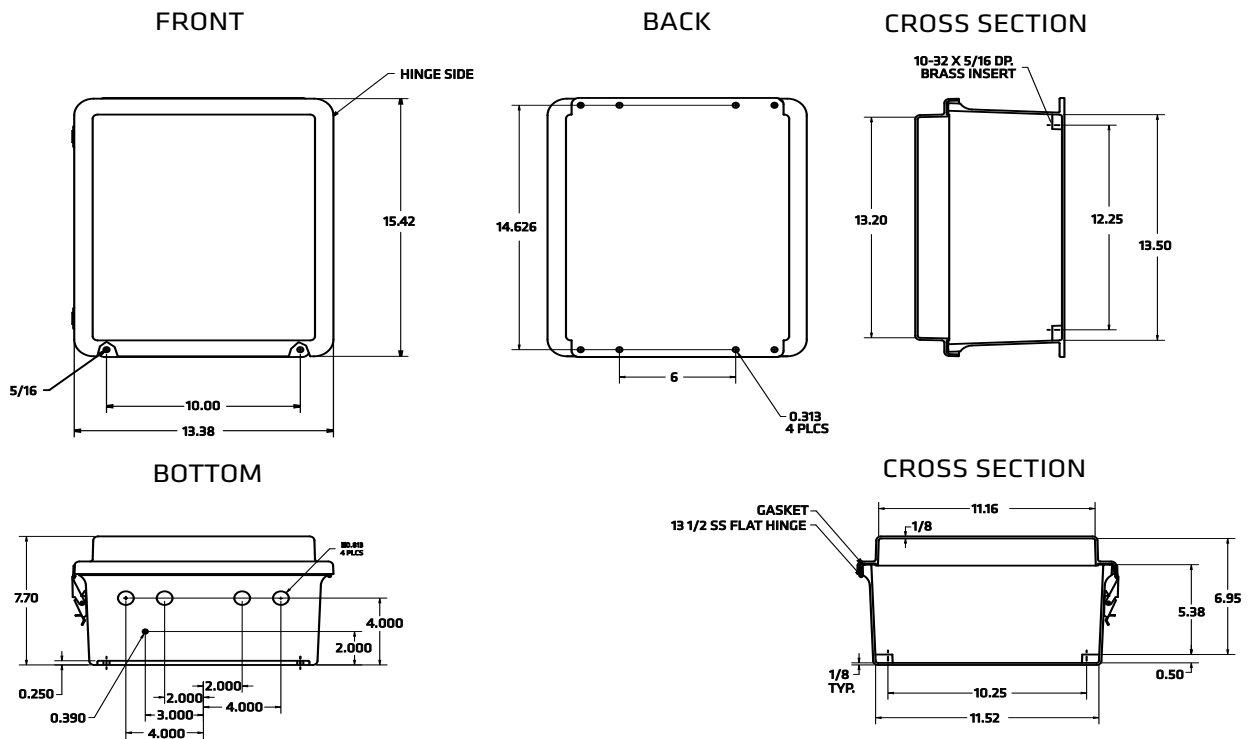
C10 fiberglass cabinet



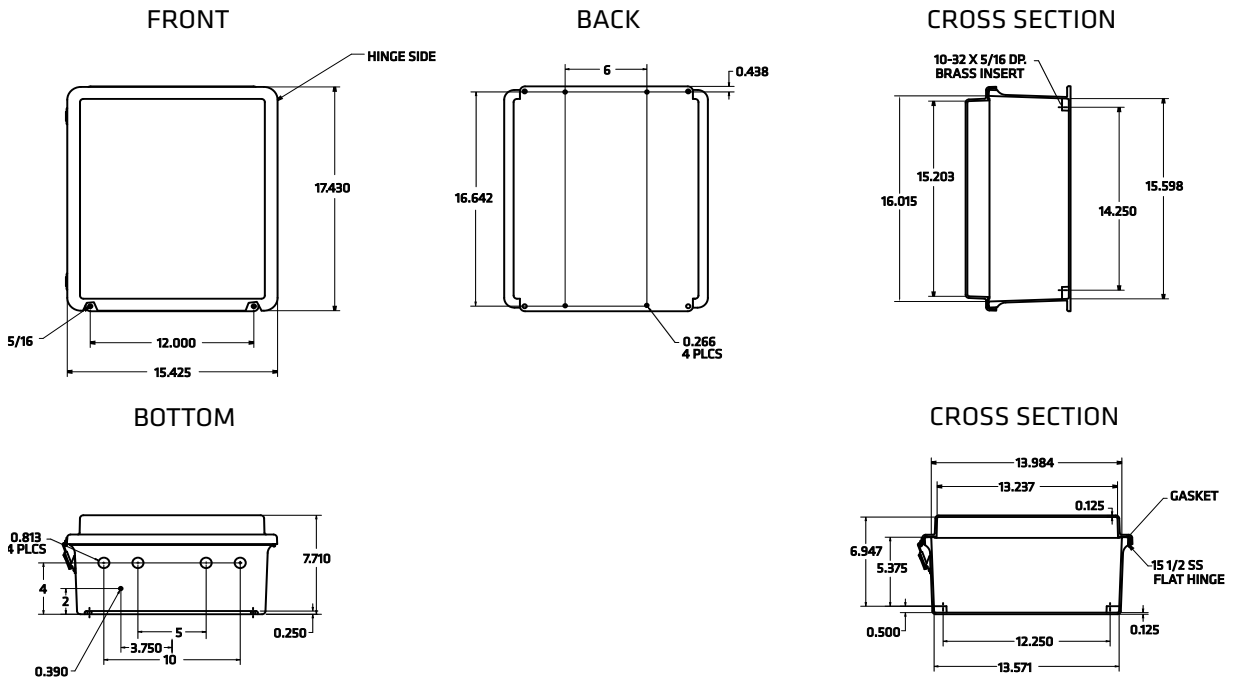
## C12 fiberglass cabinet



## C14 fiberglass cabinet



## C16 fiberglass cabinet



## C18 fiberglass cabinet

