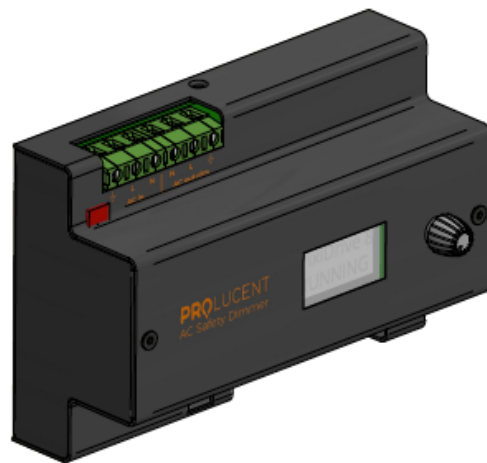


AC Safety Dimmer specification sheet

**NEW – Engineering and testing phase are not fully finished.
This means some specs might change prior to production version.**

Phase cut dimmer for led bulbs with safety functions and 0-10V input



SKU

PLD04802

Prolucent AC Safety Dimmer

Specifications

General

Product name	Prolucent AC Safety Dimmer
Description	1 channel phase cut dimmer for led bulbs with 0-10V control input
Benefits	<ul style="list-style-type: none"> • Safety function: shutdown output when irregular current drawn is detected. • Optimized to use with Prolucent E27 Regular 7W/12W bulbs. • Preferred control solution for the Prolucent E27 DimTo 12W bulb.

Electrical

Input Voltage	100-240VAC, 50-60Hz
Output Power	Led bulbs (capacitive load): max 1000W @ 230VAC Incandescent: max 1500W @ 230VAC <i>Note: Increase maximum output power is foreseen, but not yet confirmed.</i>
Output Voltage	100-240VAC
Safety	Safety current monitoring and shutdown function Overload and overtemperature protection Audible buzzer for error indication, display for error information
Error output	Dry contact output for external alert monitoring

Dimming

Type	Phase cut dimming: mosfet based dimming - trailing edge 0-100% For use with dimmable led bulbs, incandescent and halogen bulbs
Dimming curve	<ul style="list-style-type: none"> • Special modes for optimal use with Prolucent E27 bulbs. These modes optimize the dimming behavior and gives a predictable dimming response. • Minimal dimming level settable by user. This parameter can be used to match control input values and brightness of bulbs. • Automatic fading: reduce stress reaction of poultry
Control input	<ul style="list-style-type: none"> • 0-10V control input • Control with potentiometer

Functional

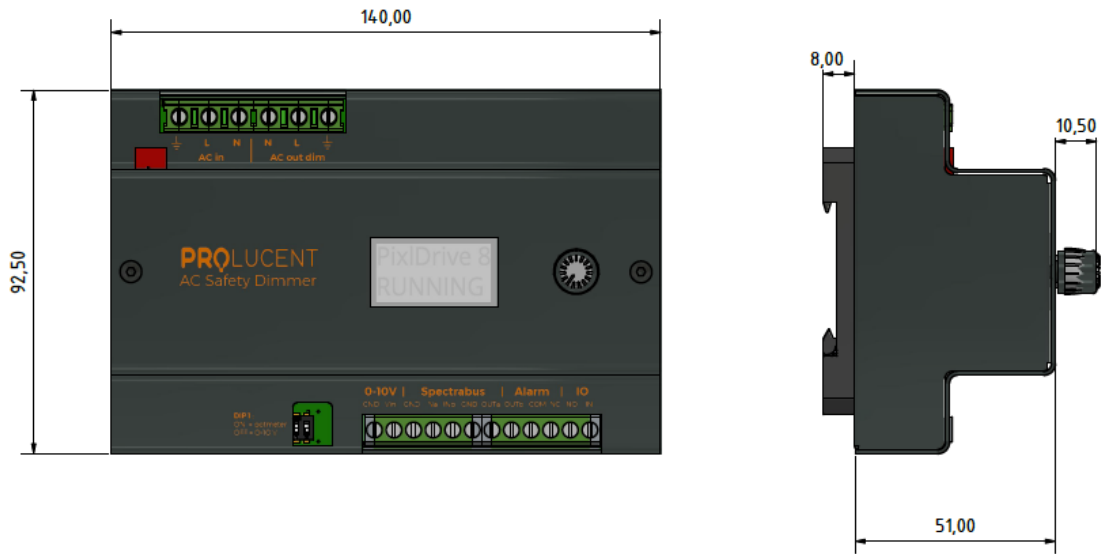
User interface	OLED display with push button encoder (knob)
Operation modes	<ul style="list-style-type: none"> • Manual mode: set brightness value manually with knob • 0-10V input mode/ potmeter • Spectrabus mode (V2 only)
IP rating	IP20

Mechanical

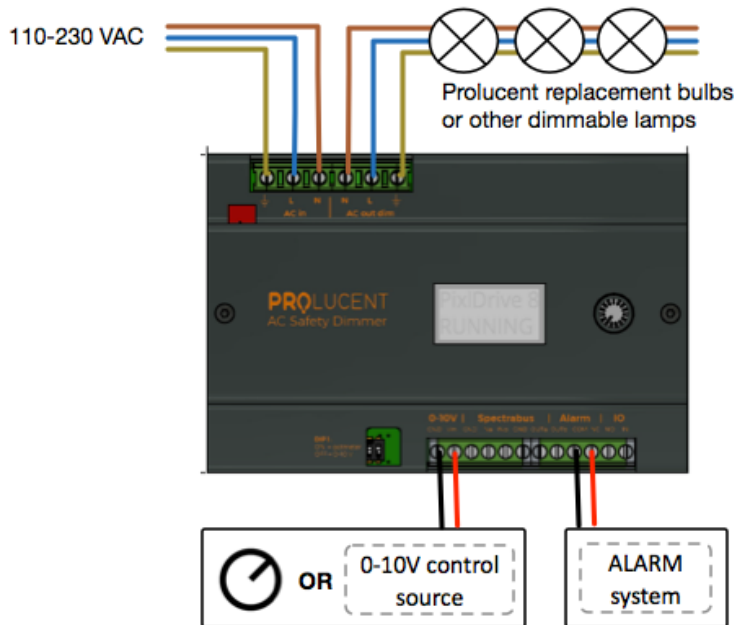
Material	Black powder coated metal
Mounting	DIN rail mountable
IP rating	IP20
Operating temperature	Ta: -30°C <-> +55°C, Max case temperature: +95°C <i>(high ambient temperatures and limited ventilation might lead to power derating)</i>

Dimensions

± 140 x 93 x 70mm



Typical wiring



Standards and certification

EMC	EN 55015:2013 EN 61547:2009 EN 61000-3-2:2014 EN 61000-3-3:2013
LVD	EN 61347-2-11:2002 EN 61347-1:2015 EN 62493:2015
Certification	CE (manufactured in Belgium)
Warranty	2 years
Weight & packaging	Cardboard box with 1 pcs - 620g

Find a worldwide distributor's list on www.prolucent.lighting

Version: 21/01/2021