

# Mustang Skid-Steer Loader 2109

## Technical Specifications

### ENGINE SPECS

Make	PERKINS	
Model	1104C-E44T	
Displacement	269 cu. in.	(4.4 L)
Number of Cylinders	4	
Rated Net Power Output	115 hp	(86 kW) @ 2400 rpm
SAE-Rated Torque	291 ft. lbs.	(394 Nm) @ 1400 rpm
Max. Axle Torque	8866 ft. lbs.	(12020 Nm)
Fuel Tank	29 gal.	(110 L)

### ELECTRICAL SYSTEM SPECS

Battery Power	12 volt	
Cold Cranking Amps	950 amp	

### HYDRAULIC SYSTEM SPECS

Std. Auxiliary Hydraulics	29 gpm	(109.7 L/min)
Hi-Flow Auxiliary Hydraulics	40 gpm	(151.4 L/min)
Working Pressure	3300 psi	(228 bar)
Hydraulic Tank Refill/System Total	13/15 gal.	(49/58 L)

### CAPACITIES / PERFORMANCE SPECS

SAE Breakout Force - Lift	4100 lbs.	(18.2 kN)
SAE Breakout Force - Tilt	7880 lbs.	(35 kN)
SAE Rated Operating Load	3675 lbs.	(1667 kg)
SAE Rated Operating Load w/ Optional Weight Kit	N/A	
Tipping Load	7350 lbs.	(3334 kg)
Lifting Arm	Vertical	
Travel Speed	0 - 7.5 mph	(0 - 12.0 km/h)
Optional Travel Speed	0 - 13.0 mph	(0 - 20.9 km/h)

### UNDERCARRIAGE SPECS

Wheel Base	(G)	55"	(1397 mm)
Ground Clearance	(D)	9.1"	(231 mm)

### DIMENSIONS / WEIGHT SPECS

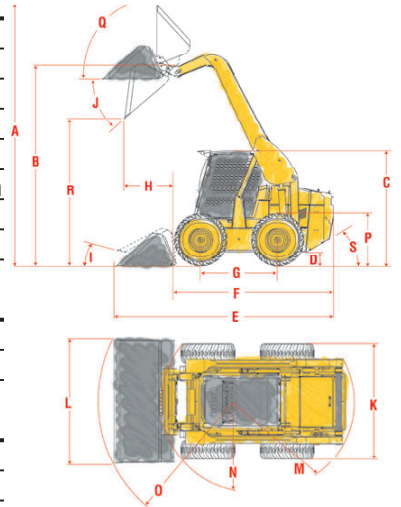
Operating Weight	10260 lbs.		(4654 kg)
Length - with Bucket	(E)	161"	(4089 mm)
Overall Operational Height	(A)	187.8"	(4770 mm)
Overall Height - Top of ROPS	(C)	81"	(2057 mm)
Clearance Circle - Front (w/o Bucket)	(N)	60.6"	(1539 mm)
Clearance Circle - Front (w/ Bucket)	(O)	101.7"	(2583 mm)
Clearance Circle - Rear	(M)	80.5"	(2045 mm)
Rollback Angle at Ground Level	(I)	28.5°	
Maximum Back Grading Angle		81.5°	
Departure Angle	(S)	21°	
Rollback Angle at Full Height	(Q)	85°	
Seat to Ground Height	(P)	41"	(1041 mm)
Width w/o Bucket (14 x 17.5 Tires)	(K)	81"	(2057 mm)
Length w/o Bucket	(F)	122"	(3099 mm)
Height to Hinge Pin	(B)	142"	(3607 mm)

### DUMPING CAPACITY SPECS

Dump Height	(R)	107"	(2718 mm)
Dump Reach	(H)	38.2"	(970 mm)
Dump Angle at Full Height	(J)	38°	

### BUCKET SPECS

Width	(L)	84"	(2134 mm)
Self-Leveling Bucket	INA		
Reference Bucket Capacity	28 cu. ft.		(793 L)



1880 Austin Road  
 Owatonna, MN 55060-0547  
 Phone: 507-451-7112  
 Fax: 507-451-8209  
 www.mustangmfg.com

© 2005 Mustang Manufacturing Company, Inc.  
 All Rights Reserved.

Rev. 7/2005