

## Standard Profile

Keypad Cam

- Keypad operation
- Vertical body style
- Offset or flat cam
- Code or key management
- Dual functionality - shared or assigned use
- All metal housing with knob pull
- Brushed nickel finish
- Surface mount
- Designed for new or retrofit installations
- Multiple cylinder lengths available
- Visual & audible indicators

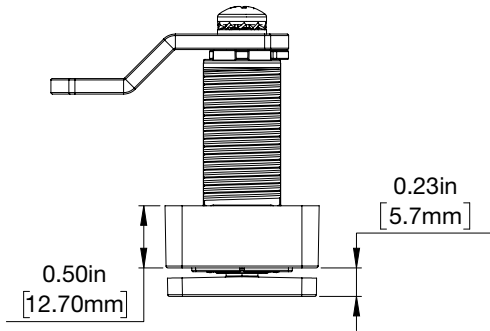


- IP55 rated for moisture and dust protection
- Powered by 2 premium lithium CR2450 batteries
- Battery Life: 180,000 cycles\*
- Up to 5 year warranty

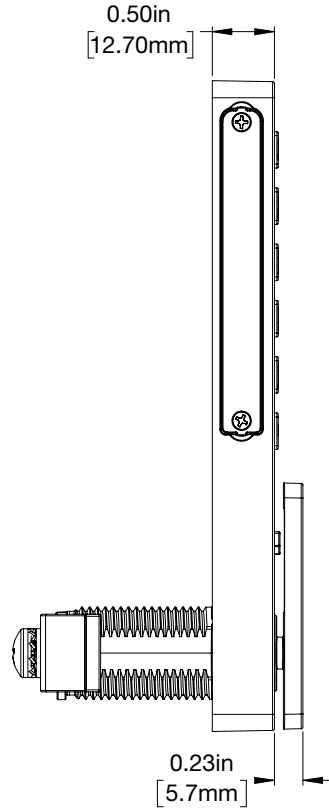
\*Based on average usage.

+32 490 42 78 44 | [info@cube-lockers.be](mailto:info@cube-lockers.be) | [www.cube-lockers.be](http://www.cube-lockers.be)

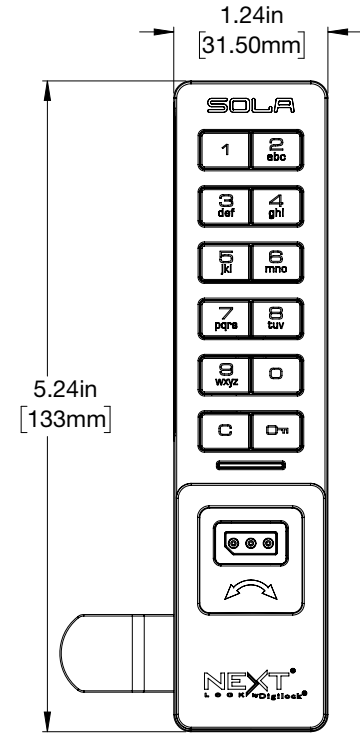
Top View



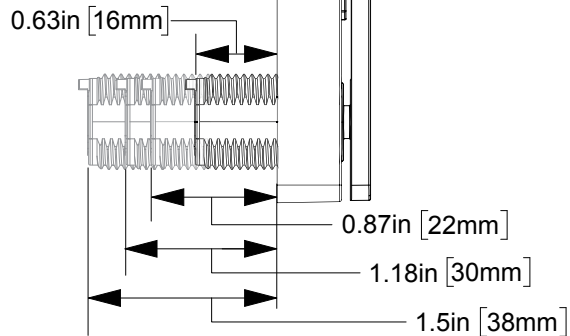
Side View



Front View

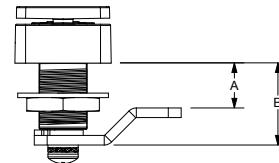


Cylinder Length



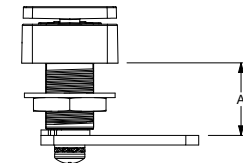
Cam Options

Offset Cam



	16MM CYLINDER	22MM CYLINDER	30MM CYLINDER	38MM CYLINDER
A	0.35in (8.92mm)	0.59in (14.92mm)	0.90in (22.92mm)	1.22in (30.92mm)
B	0.83in (21.18mm)	1.07in (27.18mm)	1.39in (35.18mm)	1.70in (43.18mm)

Flat Cam



	16MM CYLINDER	22MM CYLINDER	30MM CYLINDER	38MM CYLINDER
A	0.71in (18mm)	0.94in (24mm)	1.26in (32mm)	1.57in (40mm)