

# TW-HMVI

## High Speed Servo Robot Series

### Standard Features

Max Load: 11lbs (5kg)  
Grease Cover  
Mold Close During Ascent  
Arm Descent During Mold Open  
Central Lubrication with Manifold  
Absolute Encoders

Injection Molding  
Machine Range

80~350ton

Extract Dry Cycle

0.37sec

Full Dry Cycle

2.53sec

\*Dry cycle figures based on standards as evaluated at Star Seiki.  
Actual operation values may vary due to environmental factors.



### Options

Auto Lubrication  
2nd Arm for Stack Mold  
Servo Posture Wrist  
EOAT Quick Change System

## STEC-480

High Performance Pendant with Extensive  
Functions & Easy Operability

#### Easy Operation

- Easy Setting
- Acceleration/Deceleration Setting for Each Point
- Direct Distance Display Function After Pass Operation
- Easy NC Step
- Improved Setup Change Function

#### Extensive Optional Functions

- Vacuum Pressure Display
- PC Connection
- Web Function
- Multiple Language Capability

#### Safety

- No Entry Area Setting Function
- One Cycle Check Operation

#### Energy Saving Function

- Optimized Unloader Cycle (S.I.3)
- Servo Sleep Function (S.I.4)

#### Eco-Friendliness

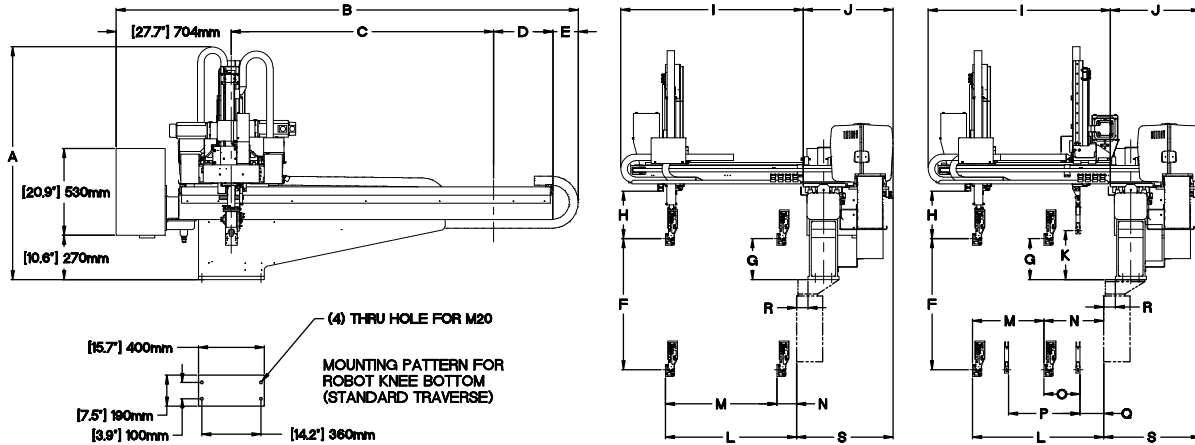
- Environmentally Friendly Design



STAR AUTOMATION, INC.

## Main Specifications

Power Source	Air Pressure	Drive System	Posture	Posture Torque	Control Box	Air Consumption
AC 200~220 V±10% 50/60Hz	0.49MPa	AC Servo Motor	Air Cylinder 90° Fixed	20.2 N·m (Air Pressure: 0.49MPa)	STEC-480	0.28 ft <sup>3</sup> (8 L/cycle)
Model	Traverse	Crosswise	Vertical	Runner Side Vertical	Injection Press Range (tons)	
TW-800HMVI-480	62.99" / 1600mm	26.77" / 680mm	31.50" / 800mm	33.46" / 850mm	80~250	
TW-1000HMVI-480	70.87" / 1800mm	26.77" / 680mm	39.37" / 1000mm	41.34" / 1050mm	80~350	



Outer Dimensions		TW-800HMVI	TWS-800HMVI	TW-1000HMVI	TWS-1000HMVI
A	Overall Height	54.96" / 1396mm	55.98" / 1422mm	58.90" / 1496mm	59.92" / 1522mm
B	Overall Width	111.02" / 2820mm		118.90" / 3020mm	
C	Traverse Stroke	62.99" / 1600mm		70.87" / 1800mm	
D	Overhang, Release Side	14.30" / 363mm			
E	Cable Guide Overhang	6.02" / 153mm			
F	(P) Vertical Stroke	31.50" / 800mm		39.37" / 1000mm	
G	(P) Vertical Standby	9.84" / 250mm			
H	Bottom of Crosswise to Chuck Mount Position	11.42" / 290mm			
I	Crosswise Arm	43.82" / 1113mm			
J	Thickness	21.61" / 549mm			
K	(R) Vertical Standby	—	11.81" / 300mm	—	11.81" / 300mm
L	(P) Crosswise Reach	31.50" / 800mm			
M	(P) Crosswise Stroke Max.	26.77" / 680mm	17.13" / 435mm	26.77" / 680mm	17.13" / 435mm
N	(P) Crosswise Standby Min.	4.72" / 120mm	14.37" / 365mm	4.72" / 120mm	14.37" / 365mm
O	(P) (R) Proximity Min.	—	8.66" / 220mm	—	8.66" / 220mm
P	(R) Crosswise Stroke Max.	—	17.13" / 435mm	—	17.13" / 435mm
Q	(R) Crosswise Standby Min.	—	5.71" / 145mm	—	5.71" / 145mm
R	Base Offset	2.76" / 70mm			
S	Mold Mounting Face - Box End	23.23" / 590mm			



### Corporate Headquarters

N90 W14401 Commerce Drive  
Menomonee Falls, WI 53051  
Phone: 262.253.3550  
Fax: 262.253.3559

### California Office

18141 Beach Boulevard  
Unit 195  
Huntington Beach, CA 92648  
Phone: 714.375.2400  
Fax: 714.375.2446

### Georgia Office

5555 Oakbrook Parkway  
Suite 320  
Norcross, GA 30093  
Phone: 770.582.9350  
Fax: 770.582.9351

### Indiana Office

5625 Vogel Road  
Unit B  
Evansville, IN 47715  
Phone: 812.475.9947  
Fax: 812.475.9949

### Michigan Office

17197 North Laurel Park Dr.  
Suite 125  
Livonia, MI 48152  
Phone: 734.462.9522  
Fax: 734.462.9527

### Rhode Island Office

860A Waterman Avenue  
E Providence, RI 02914  
Phone: 401.434.0617  
Fax: 401.434.0627

### Memphis Tennessee Office

7512 Corporate Centre  
Suite 201  
Germantown, TN 38138  
Phone: 901.737.6407  
Fax: 901.737.6408

### Nashville Tennessee Office

304 South Lowry Street  
Suite D  
Smyrna, TN 37167  
Phone: 615.223.8666  
Fax: 615.223.0640

### Texas Office

719 Sawdust Road  
Suite 209  
Spring, TX 77380  
Phone: 281.362.5457  
Fax: 281.651.2176