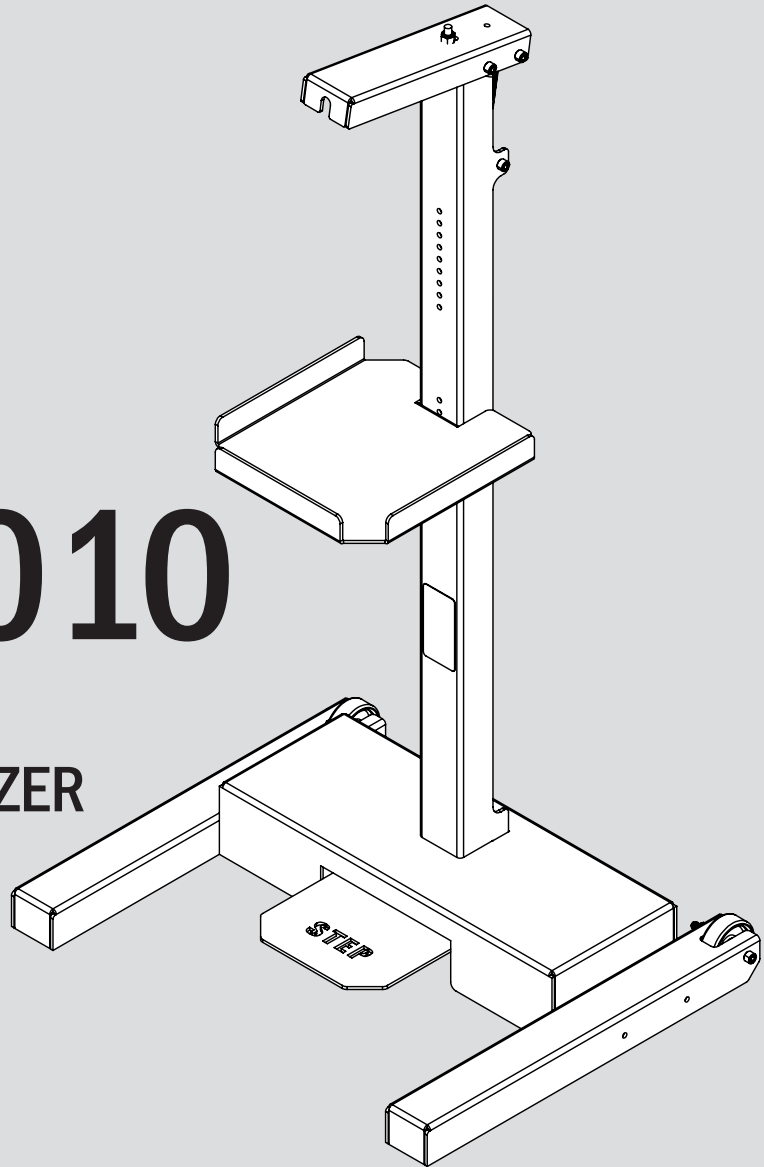


OMT-2010

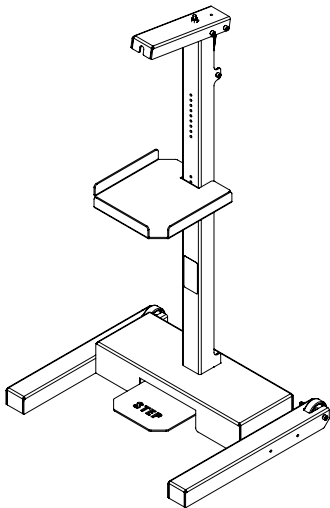
TOUCHLESS SANITIZER
PUMP STAND



USER GUIDE

OMT-2010

SANITIZER DISPENSER STAND



FEATURES

- Powder coated steel
- Vertical adjustment locations to accommodate a variety of bottle sizes
- Foot lever action for touchless application
- Ships KD
- Ships in 3-5 days

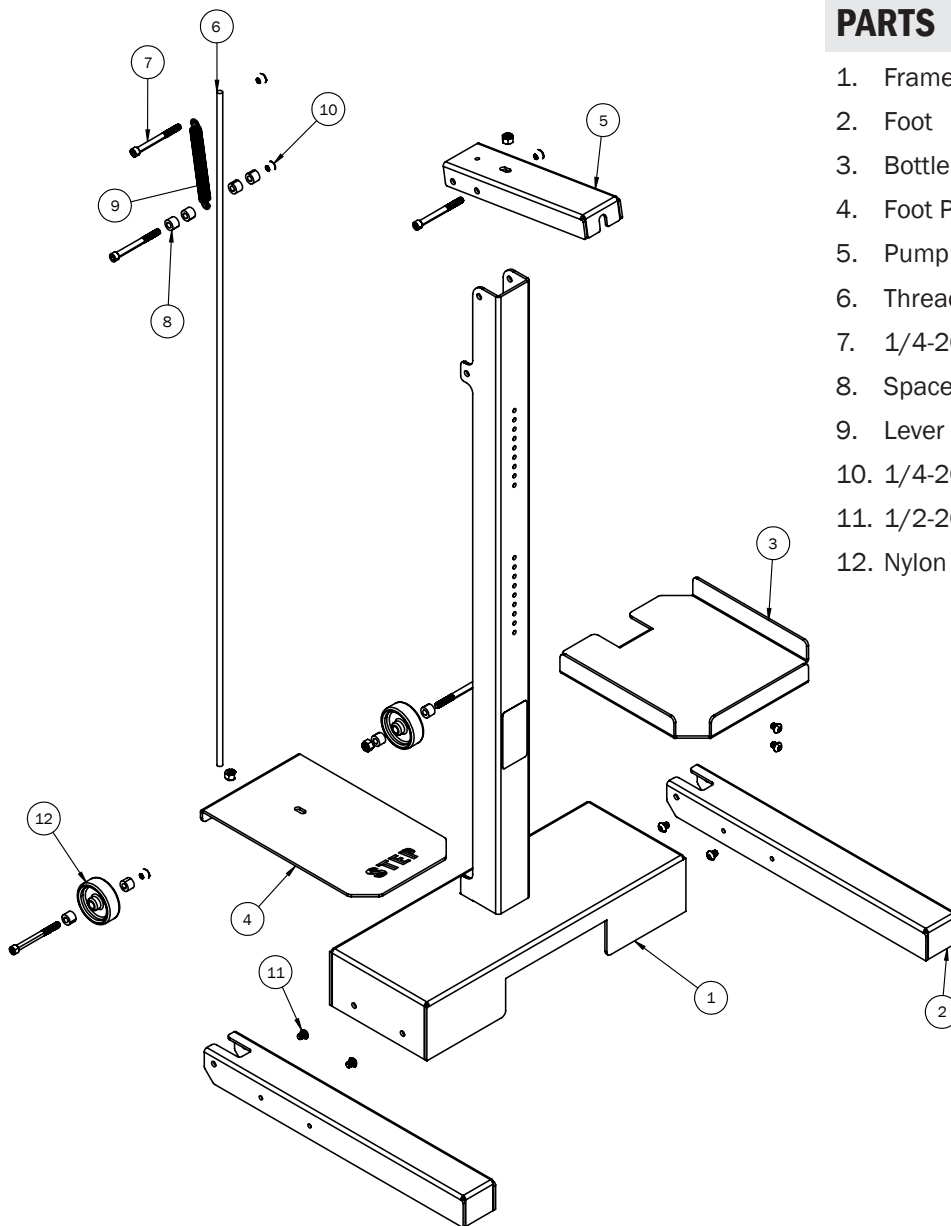
TABLE OF CONTENTS

Parts Diagram	4
Safety Information	5
Assembly Instructions	6-10
Warranty	11

This manual explains how this product is assembled, used, and maintained. All products are subjected to functional and quality tests before leaving our facility.

OMT-2010

PARTS DIAGRAM



PARTS

Qty/Package

1.	Frame	1
2.	Foot	1
3.	Bottle Shelf	1
4.	Foot Pedal	1
5.	Pump Leveler	1
6.	Threaded Rod	1
7.	1/4-20 Bolt X 2 5/8in	5
8.	Spacer	8
9.	Lever Spring	1
10.	1/4-20 Nyloc Nut	7
11.	1/2-20 x 5/16in Bolt	6
12.	Nylon Wheel	2

SAFETY INFORMATION

IMPORTANT SAFETY INSTRUCTIONS *Save these instructions.*

DANGER

To keep this product from tipping, place it on a firm and level surface out of the way of pedestrian traffic.

WARNING: To reduce the risk of death, serious injury, or property damage, read and follow this safety information and the provided instructions when assembling this product. Do not change or replace components and accessories provided by OMT-Veyhl.

KEEP AWAY FROM CHILDREN

Do not allow children to use this product unattended.

BEFORE USING THIS PRODUCT

Be sure the components are securely fastened with the appropriate screws.

ASSEMBLY INSTRUCTIONS

The assembly of this product is to be made in accordance with this manual.
Changes to the station frame or improper use may affect the safety, function, and life of your product.

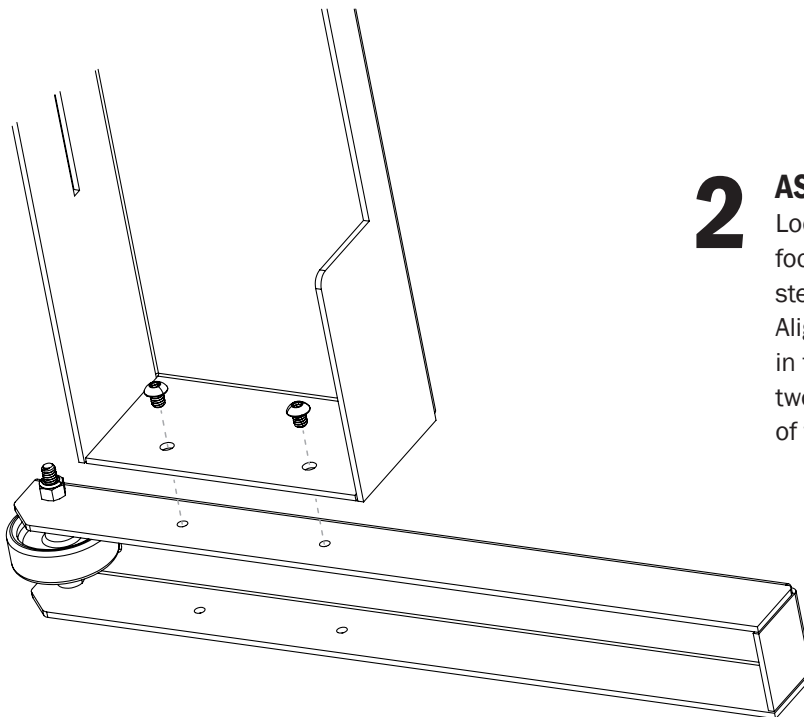
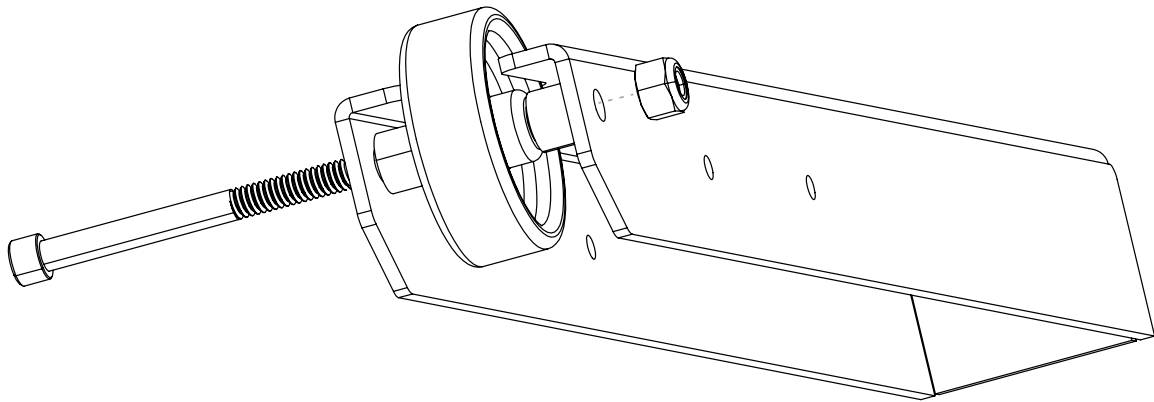
ASSEMBLY OVERVIEW

1. Assemble the foot
2. Assemble feet to the base
3. Attach the pump lever
4. Attach the foot pedal
5. Install top nut
6. Install shelf
7. Install optional nameplate accessory

If you have any difficulty assembling this unit, or need to order replacement parts, please contact our Customer Service department. Use the parts diagram on page 4 as a reference.

1 ASSEMBLE THE FOOT

Locate the following parts; Foot (Part 2), Nylon Wheels (Part 12), 1/4-20 Bolt (Part 7), 1/4-20 Nut (Part 10), and two Spacers (Part 8). Insert the 1/4-20 Bolt part way into the Foot, be sure to leave room to then slide the Spacers and Wheel onto the Bolt before pushing the Bolt completely through the Foot. Place one Spacer on the Bolt first, followed by the Wheel, and then followed by another Spacer. Once those parts are on the Bolt, push the Bolt all the way through the Foot and secure it with the 1/4-20 Nut. Repeat this process for the second Foot.



2 ASSEMBLE FEET TO THE BASE

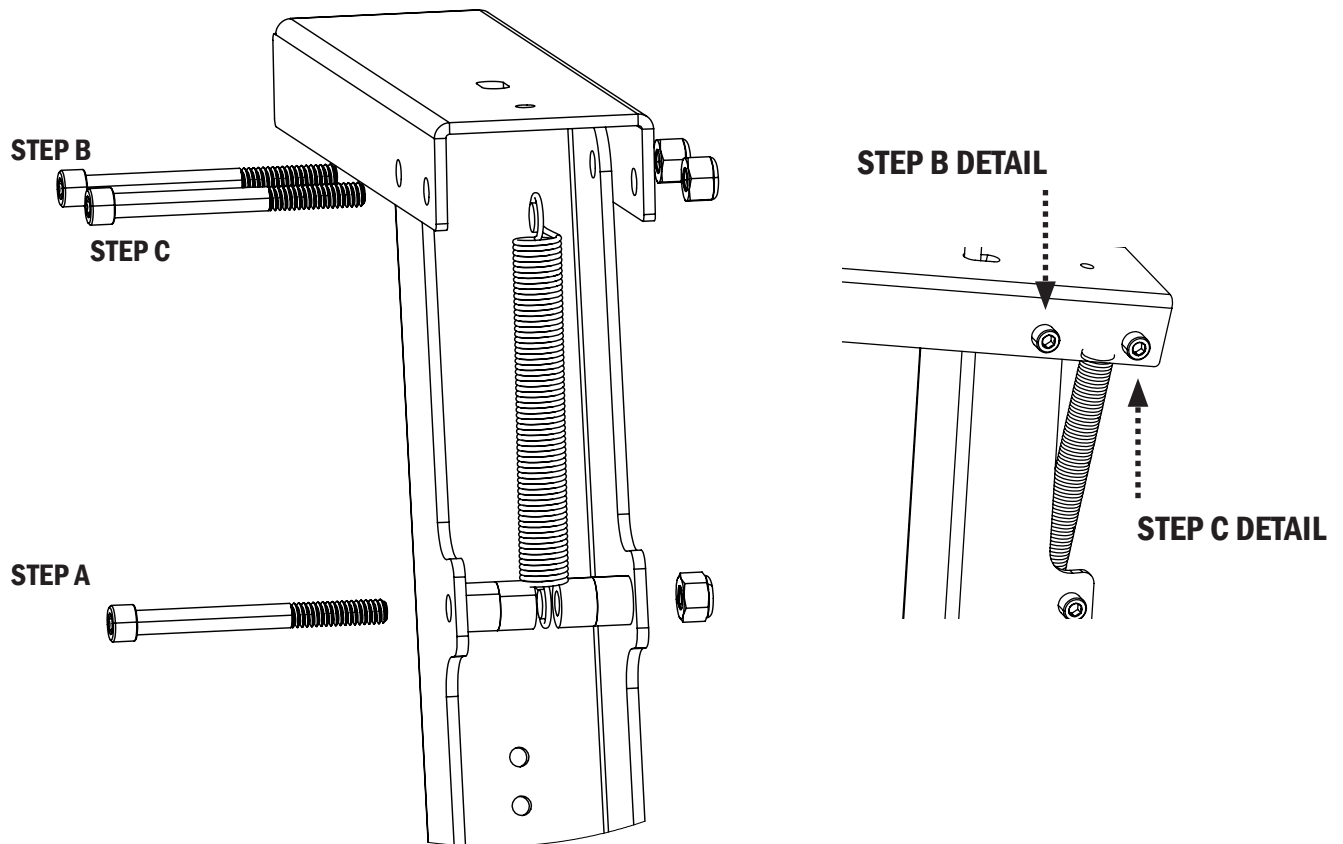
Locate the sanitizer frame (Part 1), the foot assemblies that were completed in step 1, and four 1/4-20 Bolts (Part 11). Align the holes in the Frame to the holes in the Foot assembly, and secure using two 1/4-20 Bolts. Repeat for both sides of the frame.

3 ATTACH THE PUMP LEVER

Locate the Pump Lever (Part 5), three 1/4-20 Bolts (Part 7), and four Spacers (Part 8), three 1/4-20 Nuts (Part 10), and the Lever Spring (Part 9).

Begin by inserting one 1/4-20 Bolt part way into the hole of the Sanitizer Frame (Step A), be sure to leave room to then slide the four Spacers and Spring onto the bolt. Place two Spacers on the Bolt first, followed by one loop of the Spring, and then followed by two more Spacers. Once those parts are on the bolt, push the bolt all the way through the frame and secure it with a 1/4-20 Nut.

Next, place the Pump Lever onto the Frame Assembly and align the holes as seen in the image below. Insert one bolt into the aligned holes first (Step B), push it all the way through lever and the frame, then secure with a 1/4-20 Nut. Insert another bolt into the remaining hole in the Lever (Step C), slide the Bolt through the Spring loop before pushing the Bolt through the Lever. Then secure with a 1/4-20 Nut.



4 ATTACH THE FOOT PEDAL

Locate the Foot Pedal (Part 4), the Threaded Rod (Part 6), and one 1/4-20 Nut (Part 10). Insert the Threaded Rod into the Frame Assembly through the hole on the bottom of the Frame. Push the Threaded Rod most of the way into the Frame, leaving about one inch remaining visible at the bottom. Insert the Foot Pedal into the slot of the Frame until the back of the Pedal touches the Frame. Align the slot in the Foot Pedal with the Threaded Rod and push the Threaded Rod back through the Foot Pedal. Hold the Rod in place using pliers, and then tighten and secure with a 1/4-20 Nut. See Figure 2 for the finished look.

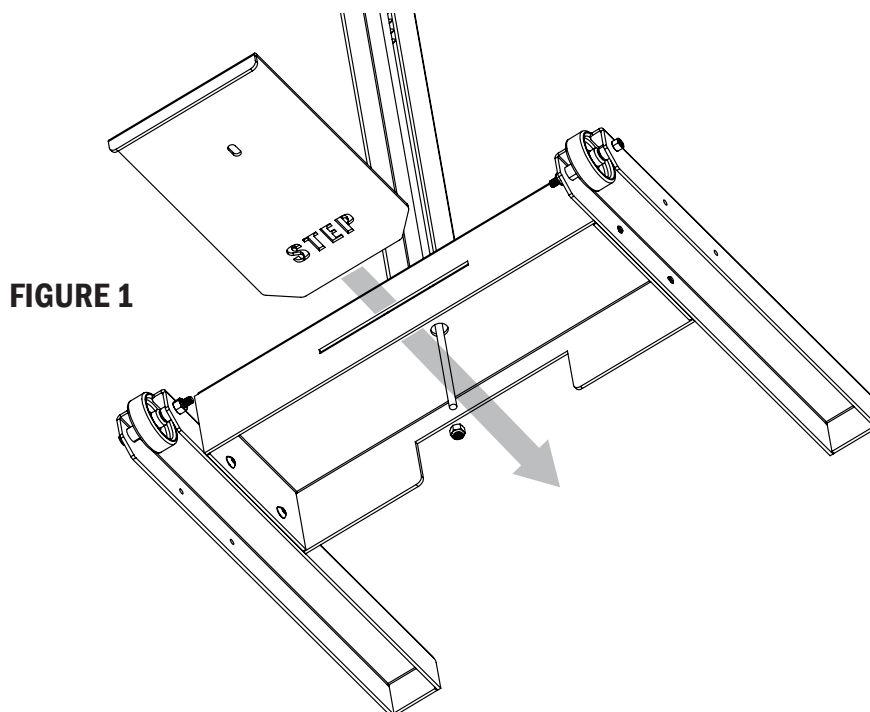


FIGURE 1

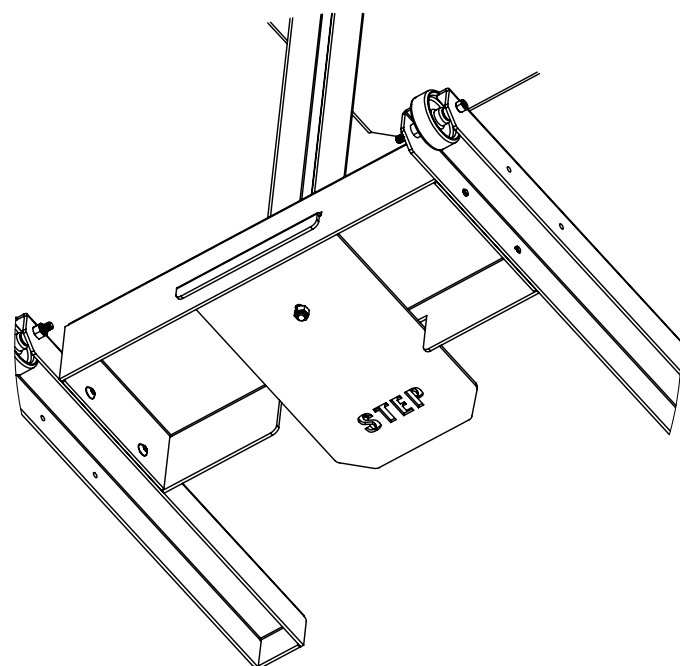
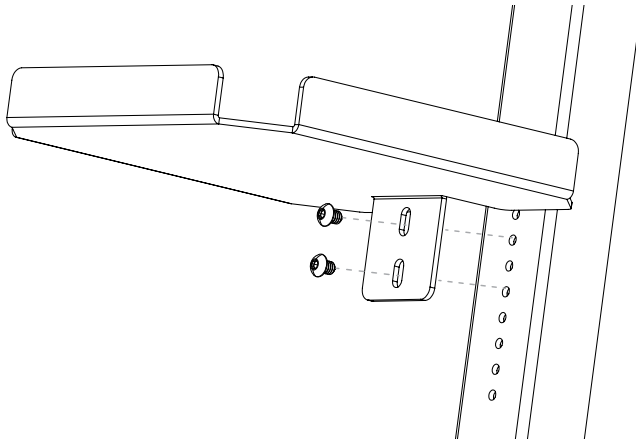
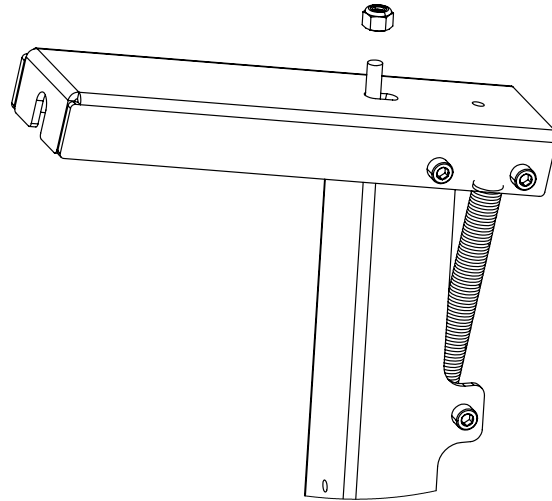


FIGURE 2

5 INSTALL TOP NUT

Locate one 1/4-20 Nut (Part 10). Complete the Threaded Rod assembly by inserting the Threaded Rod into the slot in the Pump Lever. Hold the Rod in place using pliers, and then tighten and secure with a 1/4-20 Nut.

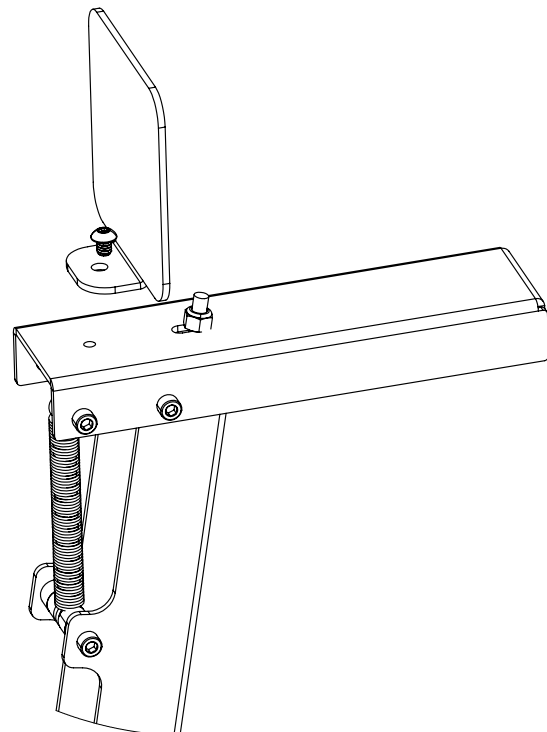


6 INSTALL SHELF

Locate the Bottle Shelf (Part 3) and two 1/4-20 Bolts (Part 11). Position the Shelf on the Frame assembly at the desired height and secure with two 1/4-20 Bolts.

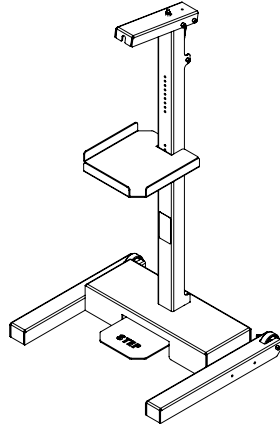
7 INSTALL NAMEPLATE ACCESSORY (OPTIONAL)

Locate the Nameplate Accessory (Optional) and secure it to the pump lever using one 1/4-20 Bolt as seen in image below.



WARRANTY

CONTACT YOUR SALES REPRESENTATIVE FOR WARRANTY INFORMATION



OMT-2010 USER GUIDE

Part No. 125225