

TOPO-REF-KERATOMETER RT-7000

TOPOGRAPHY, AUTO REFRACTION & KERATOMETRY

DELIGHT IN SIGHT

Multifunctional. Compact.
Totally electronic-controlled.



- 4 systems – 1 instrument
- Auto alignment + auto shot
- Pupil + cornea \varnothing measurement
- Colour touch screen
- Different topography maps
- Tear stability analysis system (TSAS)

 **TOMEY**
TECHNOLOGY AND VISION

THE TOMHEY TOPO-REF-KERATOMETER RT-7000



QUALITY IN DETAIL

A unique combination of Topography, Autorefractometry, Keratometry and TSAS (tear stability analysis system) in one – multi diagnostic replaces four devices with all their functions. The compactness of this instrument is its strength. It is therefore a perfect space and cost saving solution for you. Highly accurate measurements combined with the short examination time and easy handling makes working with the **RT-7000** professional and quick.

Colour touch screen

The 6.4 inch coloured touch screen is used as operating monitor as well as for displaying all measured values. You can even move the unit in all directions by simply touching the screen. All commands can be done via touch screen.

Auto alignment + auto shot

The handling of the **RT-7000** is very easy – it does almost everything by itself. Alignment and measurement are done automatically. You just roughly align the system towards the patient eye and the rest is taken care of by the instrument.

Tear stability analysis system

Tear stability analysis system for analysing the tear film stability by using the light cone system in the **RT-7000**. That offers you several measurement and analysing functions to detect patients with dry eye indication.

Pupil + cornea \varnothing measurement

Once you have captured your patients eye you can set the pupil and cornea measurement bars to measure the individual diameter.

Topography indices KRI + KAI

For immediate understanding of the cornea topographic structure we have implemented the topographic indices KAI (Kerato-Asymmetry Index) and KRI (Kerato-Regularity Index). These values are highlighted in colour (green = normal, yellow = suspect, red = abnormal) to provide you a quick information about the corneal structure behaviour.

SPECIFICATIONS

REFRACTIVE POWER MEASUREMENT

Spherical refractive power (S)

Measurement range -25.00 D to +22.00 D (at VD = 12.0 mm)
Display unit 0.01 D, 0.12 D, 0.25 D

Cylindrical refractive power (C)

Measurement range 0 D to ± 10.00 D (at VD = 12.0 mm)
Display unit 0.01 D, 0.12 D, 0.25 D

Astigmatism axial (A)

Measurement range 0° to 180°
Display unit 1°

CORNEAL CURVATURE MEASUREMENT (K1, K2, AVG)

Measurement range 5.00 mm to 11.00 mm / 30.68 D to 67.50 D (n=1.3375)
Display unit 0.01 mm

CORNEAL ASTIGMATISM AND AXIS (C, A)

Measurement range (C) 0 D to 10 D (n=1.3375)
Measurement range (A) 0° to 180°
Measurement area cornea \varnothing 3.0 mm (at 8.00 mm corneal curvature)

CORNEAL SHAPE MEASUREMENT

Measurement area (at 8.00 mm corneal curvature)

Normal measurement mode \varnothing 1.0 mm to 8.0 mm
Special measurement mode \varnothing 0.9 mm to 7.0 mm
Display range 9 D to 100 D

PD range 50 mm to 86 mm
Minimum pupil diameter \varnothing 2.2 mm
Vertex distance 0 mm - 16.0 mm

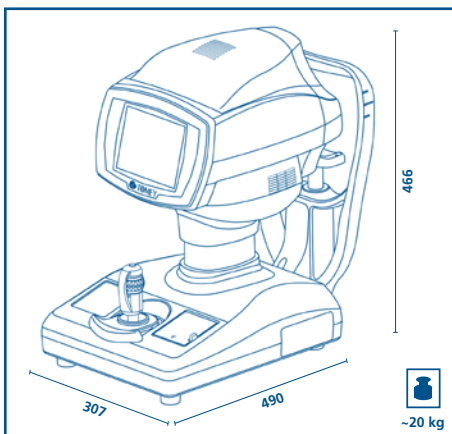
MAIN UNIT

Built-in printer Thermal printer
Output External printer / LAN / USB
Display 6.4" colour LCD
Chin rest electr. controlled

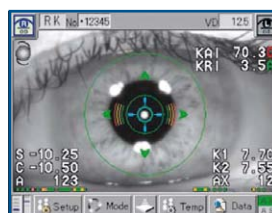
DIMENSIONS & ELECTRIC REQUIREMENTS

Dimensions WDH 307 x 490 x 466 mm
Weight Approx. 20.0 kg
Voltage 100 VAC to 240 VAC
Frequency 50/60 Hz
Power consumption 120 VA to 150 VA

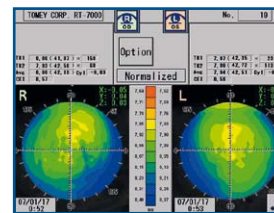
DIMENSIONS



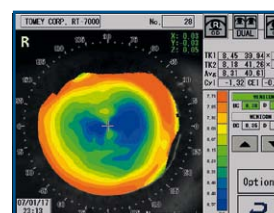
Pupil & cornea \varnothing measurement



Auto alignment auto shot



Dual map



Post laser normalized map

TOMEY EUROPE
TOMEY GmbH
Am Weichselgarten 19a
91058 Erlangen, Germany

Phone +49 9131 77710, Fax +49 9131 777120
Email info@tomey.de

TOMEY ASIA-PACIFIC
TOMEY CORPORATION JAPAN
2-11-33 Noritakeshinmachi
Nishi-ku, Nagoya 451-0051, Japan

Phone +81 52 581 5327, Fax +81 52 561 4735
Email intl@tomey.co.jp

TOMEY
TECHNOLOGY AND VISION

www.tomey.de