

ELECTRICAL RESISTANCE (ER) PORTABLE INSTRUMENT

Checkmate™

Features

- **Reads all Electrical Resistance (ER) Corrosion Probes**
- **Measurement Resolution – 0.1 Probe Divisions (0.01% of Probe Span)**
- **Repeatability - ± 1 Division (0.1% of Probe Span)**
- **Rapid Measurement Cycle – 30 Sec.**
- **Downloads Stored Readings Directly to PC**



The Checkmate Electrical Resistance Instrument uses “state of the art” surface mount integrated circuits, the sophisticated electronics provides higher resolution and measurement accuracy of Electrical Resistance probes. The measurement cycle time for direct probe readings has been reduced to 30 seconds while still maintaining

high accuracy. The Checkmate with Corrddata Plus Software option enables stored readings to be easily downloaded to a PC where graphing and analysis can be performed with Corrddata Plus Software. The instrument is well suited for use in harsh field environments.

COSASCO®

Specifications

Compatibility: Direct Measurement of all ER Probes
(To download from ER RDC's, see Checkmate Plus data sheet under Integrated Systems)

Metal Loss Resolution: 0.1 Division
0.01% of Probe Span

Metal Loss Repeatability: ±1 Division
0.1% of Probe Span

Stores up to 204 Individual Probes (10 readings per probe)

Power Source: 6 AA Alkaline Batteries

Battery Life: 900 Probe Readings, typical

Temperature Range:

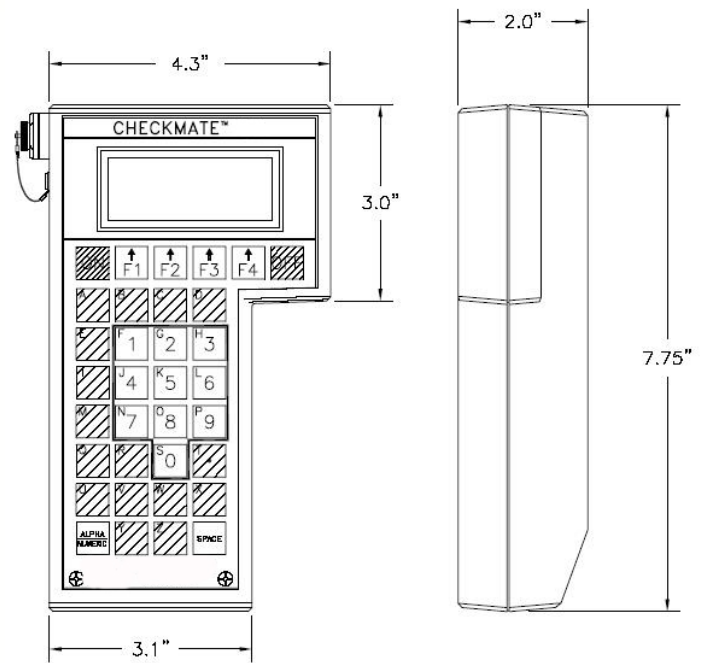
Operating: 0°F to 122°F (-18°C to 50°C)

Storage: 0°F to 150°F (-18°C to 65°C)

Probe Cable: Extension Cables up to 100 ft. (31m)

Enclosure: Splash-proof enclosure with sealed membrane keyboard

Weight: 1.5 lbs. (0.68 kg)



Ordering Information

Model	Description	
Checkmate	Portable ER Instrument, ASCII Format, CSV File PC Download Software, Batteries, Test Probe, Manual, PC Comm. Cable.	
	Code	Software
	1	With the Addition of Corrddata® Plus Software
Checkmate	—	1

Typical Order Number

Cosasco
11841 Smith Avenue
Santa Fe Springs, CA 90670, USA
Tel: 1-562-949-0123
Email: sales@cosasco.com
Web Site: www.cosasco.com

©Rohrbach Cosasco Systems, Inc. All rights reserved

The contents of this publication are presented for information purposes only, and while effort has been made to ensure their accuracy, they are not to be construed as warranties or guarantees, express or implied, regarding the products or services described herein or their use or applicability. We reserve the right to modify or improve the designs or specifications of our products at any time without notice.



FM 10694