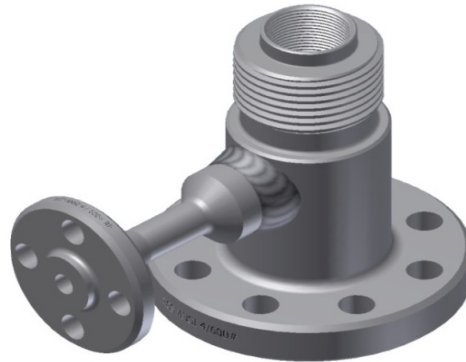


COSASCO® SIDE TEE ACCESS FITTING ASSEMBLIES

For Chemical Injection and Sampling



NPT Side Tee



Flanged Side Tee

Specifications

- **NPT (Std), Socketweld, Butt weld, and Flanged Tee Connections**
- **Mounting – Flareweld, Butt weld, Socketweld, NPT, and Flanged**
- **Standard Temperature Rating with Viton/Teflon Seals:**
 - From -15° F (-26° C) Up To +400° F (+204°C)
- **Available Temperature Rating with Optional Seals:**
 - From -70° F (-56° C) Up To +450° F (+232°C)
- **Pressure Rating — 6000 PSI/41.3 MPa Working**
 - Model 56,57, 58 As Flange Rating
- **Meets NACE MR0175 and MR0103**
- **Canadian Registration (CRN) and Conformity to Pressure Equipment Directive PED**

Chemical Injection is one of the most practical preventive maintenance methods for minimizing or controlling corrosion in pipelines, vessels, etc.

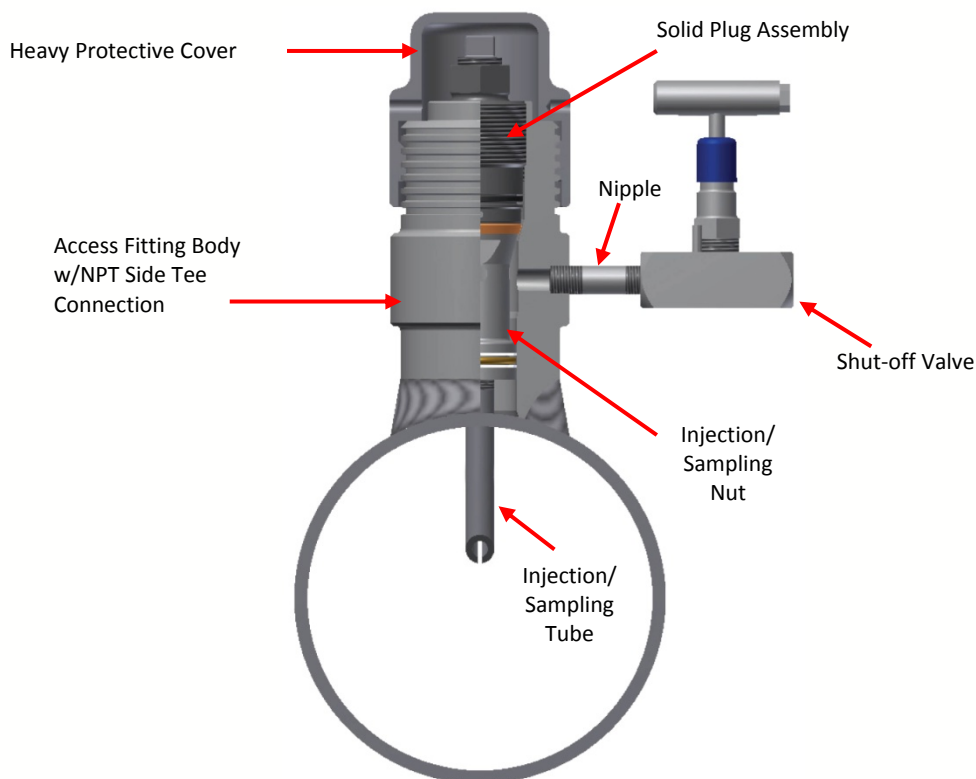
While corrosion inhibition is a complex technology and is under constant study and development, it is an effective means of corrosion control. Using the Cosasco Injection System for easy, reliable access, inhibitors can be injected with safety and simplicity while under full operating pressure. When injection of treatment chemicals or

sampling of the process is required it is preferable to use an access fitting with side tee.

Tee fittings incorporate a ¼", ½", ¾", or 1" NPT threaded outlet on the side of the fitting body, with optional Socketweld, Butt weld, and Flanged outlet to suit the type of service. If needed, the side tee connection can be closed off with a pipe plug, allowing probes/devices that would normally be used with a non-tee-type access fitting to be used with a tee-type access fitting. The addition of a tee adds between 1 and 3 inches to the height of the standard access fitting (5-1/4") according to the tee size and type.



SIDE TEE ACCESS FITTING ASSEMBLIES



Typical Cosasco Side Tee Access Fitting Assembly

Ordering Information

To order, you will need to specify the side tee size and configuration (See below for reference – complete ordering tables are available on Model 50-58 data sheets). All other options for the particular access fitting are available. See the individual data sheets for the access fitting type desired, including Flarweld, Buttweldolet, Socketweld, NPT, and Flange Mounted options. For the internals (injection nuts, tube, nozzles, etc.) see our Model 63 data sheet.

Example: A typical Access Fitting with a ½", 300#RF side tee configuration, Model 50 flarweld mount number would be:

50-111-2-FL72-10-K03011-1

Code	Side Tee Size
0	Non-Tee
1	1/4" Tee
2	1/2" Tee
3	3/4" Tee
4	1" Tee

Code	Optional Side Tee Configuration (omit for standard NPT)
SW	Socketweld Tee
FL71	150# RF
FL72	300# RF
FL73	600# RF
FL74	1500# RF
FL75	2500# RF
FL41	300# RJ
FL42	600# RJ
FL43	1500# RJ
FL44	2500# RJ
BW40	Schedule 40 (Standard) Butt weld Tee
BW80	Schedule 80 (Extra Strong) Butt weld Tee
BW160	Schedule 160 (Not applicable for ¼") Butt weld Tee
BWXX	Schedule XX (Double Extra Strong) (Not applicable for ¼") Butt weld Tee

Cosasco
 11841 Smith Avenue
 Santa Fe Springs, CA 90670, USA
 Tel: 1-562-949-0123
 Email: sales@cosasco.com
 Web Site: www.cosasco.com

©Rohrback Cosasco Systems, Inc. All rights reserved

The contents of this publication are presented for information purposes only, and while effort has been made to ensure their accuracy, they are not to be construed as warranties or guarantees, express or implied, regarding the products or services described wherein or their use or applicability. We reserve the right to modify or improve the designs or specifications of our products at any time without notice.

