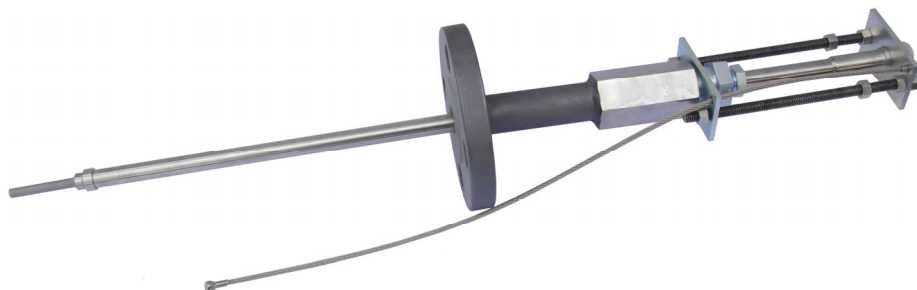


Electrical Resistance (ER) Probes

Request A Quote

MODEL 3520/3520HT



Features

- **Cylindrical Element**
- **Mounting – 1” Full Port Valve Minimum**
- **Temperature Rating**
 - **Model 3520 - +500° F (+ 260° C)**
 - **Model 3520HT - +1000° F (+520° C)**
- **Pressure Rating**
 - **Model 3520 - 1500 PSI (10.3 MPa) subject to flange rating**
 - **Model 3520HT - 1000 PSI (6.9 MPa) subject to flange rating**
- **Seal Material — Element Seal all Welded**
- **Process Containment Seal - High pressure glass-metal seal
Connector and Teflon packing**
- **Fill Material - Ceramic**
- **Body Material - 316SS or Hastelloy C276*****

Model 3520 retractable process electrical resistance probes are designed for particularly severe or toxic duty service, where fixed thread probes are not permitted by plant or other regulations. The all-welded construction of the cylindrical probe element provides the highest integrity for a corrosion measurement element. Only the material under evaluation is exposed to the process fluid. Even with any localized attack or physical damage to the

element, the back of the probe provides process containment with high pressure glass-to-metal seals. Probes are available in a wide range of alloys and are custom made to the flange size. Maximum pressure and temperature conditions are frequently limited by the standard flange rating rather than the ER probe construction.

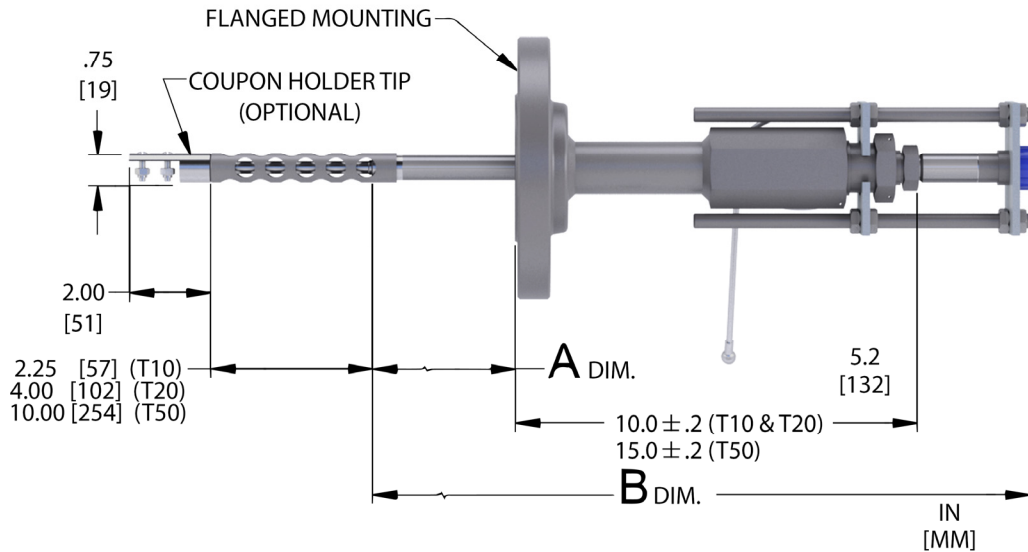
Element Availability

UNS Number	Alloy	T10	T20	T50	UNS Number	Alloy	T10	T20	T50
K03005	Pipe Grade Carbon Steel	•	•	•	N08020	CARP 20-Cb3	•	•	
A106GRB	A106 Gr. B	•	•		S50400	9% Cr 1% Mo	•	•	
S30400	304 S.S.	•	•	•	N04400	Monel 400	•	•	
S30403	304L S.S.	•	•		N06600	Inconel 600	•	•	
S31600	316 S.S.	•	•		N06625	Inconel 625	•	•	
S31603	316L S.S.	•	•		N08825	Incoloy 825	•	•	
S31703	317 S.S.	•	•	•	N10276	Hastelloy C-276	•	•	
S31803	2205 Duplex S.S.	•	•		A333GR6	A333Gr.6		•	
S32100	321 S.S.	•	•						
S41000	410 Stainless Steel	•	•						
S50200	502 S.S. (5% Cr ½% Mo)	•	•						
N08904	904L S.S.	•	•						
	Inches Useful Range (mm)	.005 .127	.010 .254	.025 .635		Inches Useful Range (mm)	.005 .127	.010 .254	.025 .635

Table 1

Other element alloys or styles may be supplied subject to material availability.

Dimensions



Order Length	"A" Dimension		"B" Dimension	
	Inches	mm	Inches	mm
18	9.6	227	22.25	565
24	15.6	429	28.25	718
30	21.6	582	34.25	870
36	27.6	734	40.25	1022

MODEL 3520/3520HT

Ordering Information

Note: For high velocity process conditions it is recommended that Drag Force Calculations be performed – please contact a Cosasco representative for further details.

Model	Fixed Flanged Mounting ER Probe Assembly								
3520	Complete Probe Assembly with Stuffing Box								
3520HT	High Temperature Probe Assembly up to 1000° F (520° C) ***								
3501	Model 3520 Replacement Insert								
3501HT	High Temperature Replacement Insert***								
	Code	Element Form: See Table 1 for availability							
	T10	10 mil thickness (5 mil useful probe life)							
	T20	20 mil thickness (10 mil useful probe life)							
	T50	50 mil thickness (25 mil useful probe life)							
	Code	Element Alloy: See Table 1 for availability							
	YYYYYY	Enter UNS number							
	Code	Probe Length							
	18	18 Inches							
	24	24 Inches							
	30	30 Inches							
	36	36 Inches							
	Code	Flange Size							
	1.5	Nominal 1.5 inch							
	2.0	Nominal 2.0 inch							
	S.S.	Other Size (Specify)							
	Code	Flange/Rating Type							
	71	ANSI 150# RF							
	72	ANSI 300# RF							
	73	ANSI 4/600# RF							
	42	ANSI 4/600# RJ							
	UU	Other (Specify)							
	Code	Safety Clamp Option							
	0	Not Included							
	1	Safety Clamp Installed							
	Code	Shield Options							
	0	Not included (liquids 8 ft/sec, gases 25 ft/sec)							
	1	Standard (liquids 25 ft/sec, gases 75 ft/sec)							
	2	High Velocity/Erosion (liquids 50 ft/sec, gases 150 ft/sec)							
	3**	Coupon Holding (liquids 25 ft/sec, gases 75 ft/sec)							
	Code	Stuffing Box Material (Not an Option for 3501 or 3501HT)							
	0	Stainless Steel/Carbon Steel*							
	1	Hastelloy C-276							
	2	Same as element material							
3520	T10	K03005	18	1.5	71	1	0	0	Example

*Carbon Steel for Carbon Steel Elements, Stainless Steel for all others.

**Coupon holding tip will extend 2" beyond order length coupon holding shields use CI-RS strip coupons.

***For High-Temp Carbon Steel Element Probes, the Probe Body will be 316L S.S. For other alloys the body will be Hastelloy C276. The stuffing box and shield will be 316SS

Cosasco
 11841 Smith Avenue
 Santa Fe Springs, CA 90670, USA
 Tel: 1-562-949-0123
 Email: sales@cosasco.com
 Web Site: www.cosasco.com

©Rohrback Cosasco Systems, Inc. All rights reserved

The contents of this publication are presented for information purposes only, and while effort has been made to ensure their accuracy, they are not to be construed as warranties or guarantees, express or implied, regarding the products or services described wherein or their use or applicability. We reserve the right to modify or improve the designs or specifications of our products at any time without notice.

