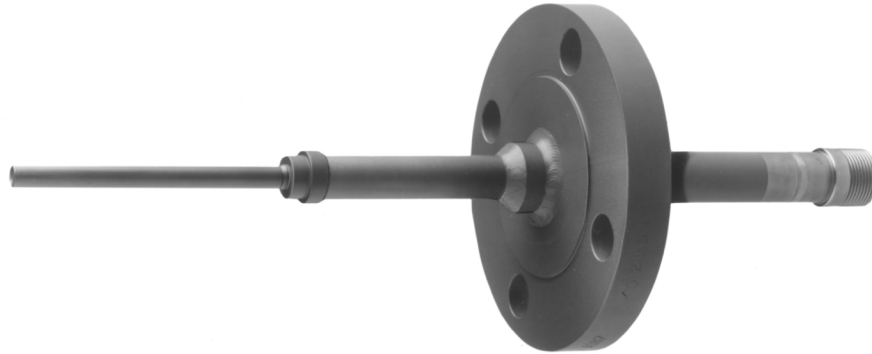


Electrical Resistance (ER) Probes

Request A Quote

MODEL 2520/2520HT



Features

- **Cylindrical Element**
- **Mounting - Standard ANSI and API RJ and RF Flanges**
- **Temp. Rating - +500° F (+260° C) Standard, +1000° F (+520° C)**
High Temperature, subject to flange rating
- **Pressure Rating - 4000 PSI (27.6 MPa) subject to flange rating**
- **Seal Material - Element seal all welded**
- **Process Containment Seal - High pressure glass-metal seal connector**
(Additional/Alternate seals available for special service conditions)
- **Fill Material - Ceramic**
- **Body Material - Same as element**

Model 2520 fixed electrical resistance probes are designed for particularly severe or toxic duty service, where retractable or fixed thread probes are not permitted by plant or other regulations. The all welded construction of the cylindrical probe element provides the highest integrity for a corrosion measurement element. Only the material under evaluation is exposed to the process fluid. Even with any localized attack or physical damage to the element, the back of the probe provides process containment with high pressure glass-to-metal seals. For special service such as hydrofluoric acid (HF), which would attack glass seals, alternate/additional metal/Teflon mechanical seals are available to ensure process containment. For other toxic processes, double rear seals are available with capability

for monitoring for leakage between seals. ER Probes are available in a wide range of alloys and are custom made to the flange size and probe length required. Special seals are added if process conditions warrant. High temperature versions of the probes are available. Maximum pressure and temperature conditions are frequently limited by the standard flange rating rather than the ER probe construction. In the case of the more exotic alloys such as titanium, Hastelloy, Monel, Incoloy or other alloys where materials and flanges are relatively expensive, refurbishing of the process side of the probe may be possible at the end of probe element life, subject to the condition of the other parts of the probes.

COSASCO[®]

MODEL 2520/2520HT

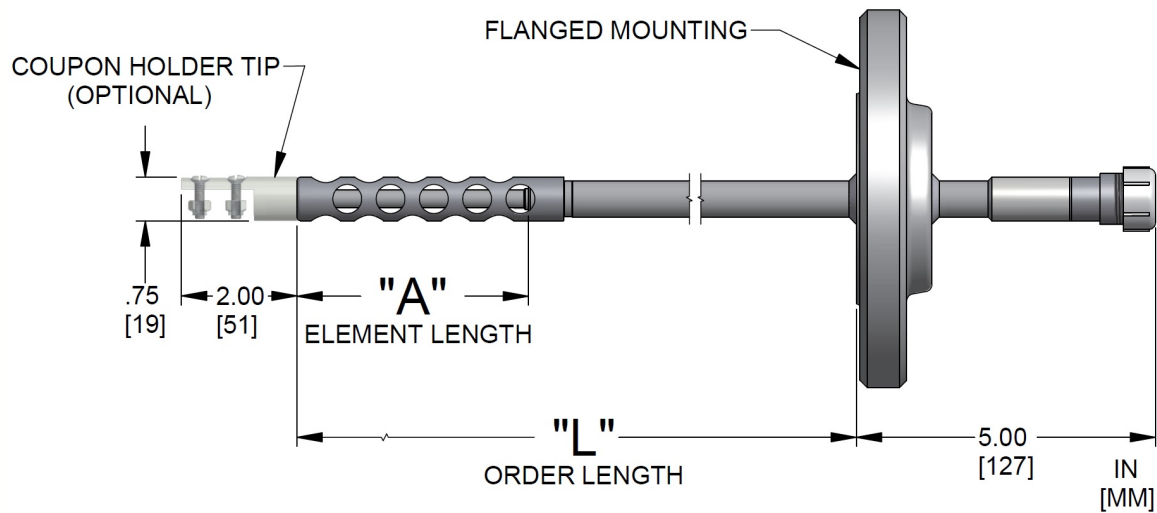
Element Availability

UNS Number	Alloy	T10	T20	T50	UNS Number	Alloy	T10	T20	T50
K03005	Pipe Grade Carbon Steel	•	•	•	N08020	CARP 20-Cb3	•	•	
A106GRB	A106 Gr.B	•	•		S50400	9% Cr 1% Mo	•	•	
S30400	304 S.S.	•	•	•	N04400	Monel 400	•	•	
S30403	304L S.S.	•	•		N06600	Inconel 600	•	•	
S31600	316 S.S.	•	•		N06625	Inconel 625	•	•	
S31603	316L S.S.	•	•		N08825	Incoloy 825	•	•	
S31703	317 S.S.	•	•	•	N10276	Hastelloy C-276	•	•	
S31803	2205 Duplex S.S.	•	•		A333GR6	A333GR.6		•	
S32100	321 S.S.	•	•						
S41000	410 Stainless Steel	•	•						
S50200	502 S.S. (5% Cr 1/2% Mo)	•	•						
N08904	904L S.S.	•	•						
	Inches	.005	.010	.025		Inches	.005	.010	.025
	Useful Range (mm)	.127	.254	.635		Useful Range (mm)	.127	.254	.635

Table 1

Other element alloys or styles may be supplied subject to material availability.

Dimensions



Element Type	"A" Dimension Element Length	"L" Dimension Order Length
T10	2.25 (57mm)	5.00 (127 mm)
T20	4.00 (102mm)	5.00 (127mm)
T50	10.00 (254 mm)	12.00 (305 mm)

MODEL 2520/2520HT

Ordering Information

Note: For high velocity process conditions it is recommended that Wake Frequency Calculations be performed – please contact a Cosasco representative for further details.

Model	Fixed Flanged Mounting ER Probe Assembly	
2520	Complete Probe Assembly	
2520HT	High Temperature Probe Assembly up to 1000° F (520° C) subject to flange rating	
	Code	Element Form: See Table 1 for availability
	T10	10 mil thickness (5 mil useful probe life)
	T20	20 mil thickness (10 mil useful probe life)
	T50	50 mil thickness (25 mil useful probe life)
	Code	Element Alloy: See Table 1 for availability
	YYYYYY	Enter UNS number
	Code	Probe Length: Probe tip to flange face (inches)
	ZZ.ZZ	From 3.25 inches (T10), 5.00 (T20), 11.00 inches (T50), to 36.00 inches
	Code	Flange Size
	1.5	Nominal 1.5 inch
	2.0	Nominal 2.0 inch
	S.S.	Other Size (Specify)
	Code	Flange/Rating Type
	71	ANSI 150# RF
	72	ANSI 300# RF
	73	ANSI 4/600# RF
	42	ANSI 4/600# RJ
	43	ANSI 9/1500# RJ
	UU	Other (Specify)
	Code	Flange Material
	K03504	ASTM A105 Carbon Steel for Carbon Steel Element
	K03011	ASTM A350LF2 for Carbon Steel Element in Low Temp. Service
	FFFFFF	Other material normally as YYYYYY
	Code	Shield Options
	0	Not Included*
	1	Element Support*
	2	High Velocity*
	3	Coupon Holding*
2520	T10	K03005
16.00	1.5	71
K03504	0	Example

Unit Weight: 3 lbs./1.36 kg

- * 0 – (Max Liquid Velocity 8 ft. /sec, Gases 25 ft. /sec)
- * 1 – (Max Liquid 25 ft. /sec, Gases 75 ft. /sec)
- * 2 – (Max Liquid 50 ft. /sec, Gases 150 ft. /sec)
- * 3 – (Max Liquid 25 ft. /sec, Gases, 75 ft. /sec)

Cosasco
 11841 Smith Avenue
 Santa Fe Springs, CA 90670, USA
 Tel: 1-562-949-0123
 Email: sales@cosasco.com
 Web Site: www.cosasco.com

©Rohrbach Cosasco Systems, Inc. All rights reserved

The contents of this publication are presented for information purposes only, and while effort has been made to ensure their accuracy, they are not to be construed as warranties or guarantees, express or implied, regarding the products or services described wherein or their use or applicability. We reserve the right to modify or improve the designs or specifications of our products at any time without notice.

