

COSASCO® RETRACTABLE SYSTEM BIO-PROBE

MODEL 6215



Features

- **Pressure Rating — 1500 PSI (10.3 MPa)**
- **Mounting — 1 1/2 " Full Port Valve Minimum**
- **Temperature Rating — +500° F/+260° C**
- **Material — 316 SS**
- **Five Sample Elements for Analysis**
- **Meets NACE MR0175 and MR0103**
- **Seal Material — Teflon®**

The bio-probe is used to collect samples of bacteria in Oil and gas systems, including refineries, offshore platforms, pipelines, etc. Bacteria may be present in a system as either sessile (attached to the metal surface), or planktonic (present in the process fluid). There can be considerable differences between the types of bacteria present in either of these two forms. From a corrosion perspective, the sessile bacteria are the ones that are of primary importance since these are the ones that affect the corrosion, and the ones that must be controlled with chemical treatment. For this reason fluid samples for testing of bacteria only test for planktonic.

The Model 6215 Bio-Probe provides a retractable means of collecting samples of bacteria in processes at pressures up to 1500 PSI/10.3 MPa and temperatures up to 500°F /260°C. Cosasco® Bio-Probes are used to suspend sample elements in the area to be monitored. Insertion of the bio-probe can be

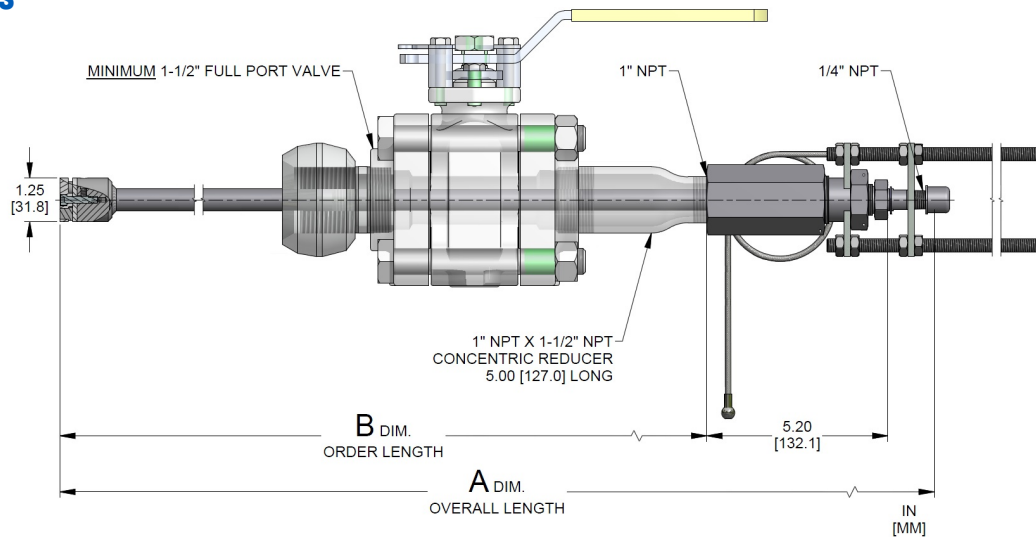
adjusted to permit electrodes positioning at precisely the desired point within the process. Standard lengths are available in 18, 24, 30 and 36 inches. A safety clamp assembly is recommended at pressures above 100 PSI and temperatures above +150°F.

The bio-probe has five sample elements, each with an exposed frontal area of 1cm². Each time a sample is required for analysis a successive element is removed and replaced with a new one, leaving the other four in place. With this successive change of elements, a longer exposure is obtained for each element, but still permits a relatively frequent sample to be taken for analysis. For example, a sample may be removed every two weeks, but each element will have a 10 week exposure to the process fluid.

COSASCO®

MODEL 6215

Dimensions



Ordering Information

Note: For flush devices which are protruding into the line that may experience high velocity process conditions it is recommended that Drag Force Calculations be performed – please contact a Cosasco representative for further details

Model	Retractable Bio-Probe		
6215	Complete Bio-Probe Assembly		
	Code	Order Length *	
	18	18 Inches	
	24	24 Inches	
	30	30 Inches	
	36	36 Inches	
	Code	Alloy	
	K03005	Pipe Grade Carbon Steel	
	Code	Safety Clamp Option (recommended over 100 PSI and 150° F)	
	0	No Safety Clamp	
	1	With Safety Clamp	
6215	— 18 —	K03005 — 1	Example

* Contact factory for other order lengths

**Other alloys available upon request

Accessories:

P/N 625071-K03005 – Electrode Set (5 each per set)

P/N 124900 – Set Screw

P/N 003965-14 – Mounting Screw

Cosasco

11841 Smith Avenue
Santa Fe Springs, CA 90670, USA
Tel: 1-562-949-0123

Email: sales@cosasco.com

Web Site: www.cosasco.com

©Rohrback Cosasco Systems, Inc. All rights reserved

The contents of this publication are presented for information purposes only, and while effort has been made to ensure their accuracy, they are not to be construed as warranties or guarantees, express or implied, regarding the products or services described wherein or their use or applicability. We reserve the right to modify or improve the designs or specifications of our products at any time without notice.

Rohrback Cosasco Systems Corrosion Monitoring Equipment is manufactured and sold under one or more of the following US Patents: 4138878, 4238298, 4338563, 4514681, 4537071, 4587479, 4605626, 4625557, 4755744, 4839580, 4841787, 4882537 5243297

COSASCO



FM 10694

6215-DS rev-
Rev. Date: 05/04/2016

www.cosasco.com