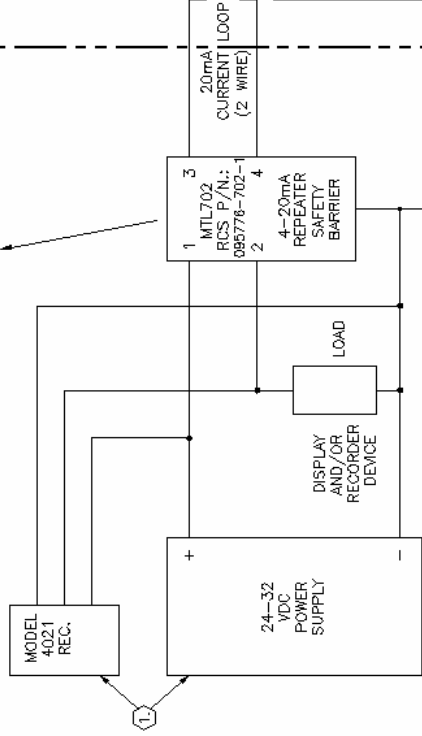


INFORMATION CONTAINED HEREIN IS PROPRIETARY TO, AND NOT BE LOANED, REPRODUCED, COPIED, EITHER WHOLLY OR IN PART, OR IN ANY MANNER, WITHOUT THE WRITTEN AUTHORIZATION OF ROHRBACK COSASCO SYSTEMS.

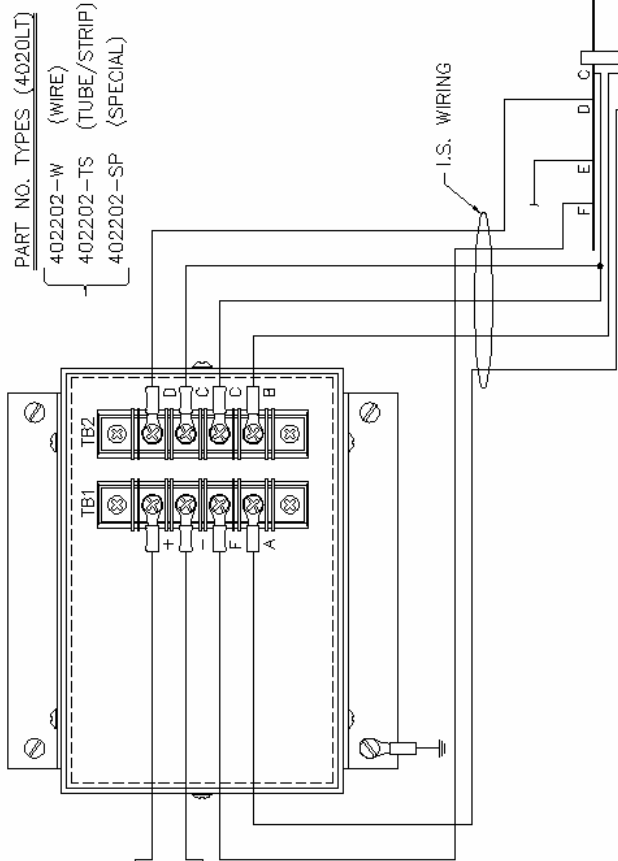
REVISIONS			
REV.	EDN	DESCRIPTION	DATE
-	7823	INITIAL RELEASE	14.OCT.84
A	8113	UPDATED PER UL	26.MAY.95
B	12016	UPDATED PER DEMKO	07.OCT.03

MTL 702 BARRIER - PROVIDING INTRINSICALLY SAFE OUTLETS FOR USE IN CLASS I, II, III, DIVISION I, GROUP A TO G



NON-HAZARDOUS LOCATION

MODEL 4020LT TRANSMITTER



HAZARDOUS LOCATION (CLASS I, GROUPS A,B,C,D)

CORROSMETER® PROBE TYPES: WIRE, TUBE/STRIP, OR SPECIAL

WARNING: SUBSTITUTION OF COMPONENTS MAY VOID APPROVAL.

- RESISTANCE BETWEEN EARTH GROUND OF BARRIER AND EARTH GROUND OF FEEDER SUPPLY MUST BE LESS THAN ONE OHM.
- EARTH GROUND OF BARRIER MUST BE CONNECTED TO EARTH GROUND OF THE FEEDER SUPPLY CIRCUIT.
- I.S. WIRING MUST BE INSTALLED IN ACCORDANCE WITH ARTICLE 504 OF THE NATIONAL ELECTRICAL CODE ANSI/NFPA 70.
- MAXIMUM LENGTH OF I.S. WIRING = 50 FT.
- TYPICAL HOOKUP - ROHRBACK MODEL 4021 RECEIVER OR INDEPENDENT POWER SUPPLY AND RECORDER MAY BE USED.

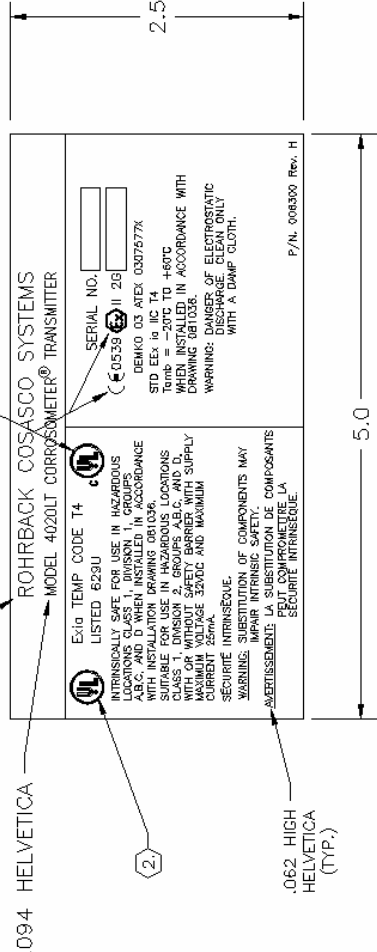
SAFETY CRITICAL COMPONENT
NO CHANGES OR DEVIATIONS WITHOUT THE PERMISSION OF THE DIRECTOR OF Q.A. AND THE CERTIFYING AUTHORITIES FOR THE FOLLOWING CERTIFICATIONS:
UL - E62616
DEMKO 03 ATEX 0307577X

DESIGN DATA	DATE: 08.07.84	ROHRBACK COSASCO SYSTEMS
DESIGNED BY: S. KELLER	DATE: 13.OCT.84	SANTA FE SPRINGS, CALIFORNIA USA
DRAWN BY: S.L. STRICKLIN	DATE: 14.OCT.84	MODEL 4020LT TRANSMITTER INSTALLATION BLOCK DIAGRAM
CHECKED BY: G. BURNER	DATE: 14.OCT.84	SIZE: C
CONTROL INSTRUCTIONS		SCALE: NONE
APPROVED BY: [Signature]		DRW. NO.: 081036
APPLICATION: REAR VIEW		SHEET 1 OF 1

NOTES: UNLESS OTHERWISE SPECIFIED:

INFORMATION CONTAINED HEREIN IS PROPRIETARY TO AND CONSIDERED A TRADE SECRET OF ROHRBACK COSASCO SYSTEMS AND IS SUBMITTED IN CONFIDENCE. REPRODUCTION OF THIS DOCUMENT, EITHER IN WHOLE OR IN PART, OR DISCLOSURE OF ANY INFORMATION CONTAINED HEREIN TO ANY OTHER PERSON WITHOUT WRITTEN AUTHORIZATION OF ROHRBACK COSASCO SYSTEMS.

REVISIONS				
REV	ECN	DESCRIPTION	BY	APPD DATE
-	8062	INITIAL RELEASE	R.E.P. S.L.S.	05.MAY.95
A	8113	UPDATED PER UL	R.E.P. S.L.S.	25.MAY.95
B	8136	ADDED AMBIENT TEMP RANGE TO LABEL	T.H.L. S.L.S.	09.JUN.95
C	8181	REVISED LABEL PER KEMA REQ.	S.L.S. J.M.K.	13.JUL.95
D	8223	CORRECTED TEXT, ADDED P/N & REV.	T.H.L. S.L.S.	14.AUG.95
E	9179	ADDED 'LISTED 629U' PER UL REQD.	T.H.L. S.L.S.	19.AUG.97
F	11879	UPDATED NAMEPLATE, ADDED DEMKO ATEX #	T.H.L. S.L.S.	06.JUN.03
G	12007	UPDATED PER DEMKO	R.E.P. S.L.S.	03.OCT.03
H	12037	CH6D PER DEMKO	R.E.P. R.M.S.	22.OCT.03



SAFETY CRITICAL COMPONENT

NO CHANGES OR DEVIATIONS WITHOUT THE PERMISSION OF THE DIRECTOR OF O.A. AND THE CERTIFYING AUTHORITIES FOR THE FOLLOWING CERTIFICATIONS:

UL-E62616
DEMKO 03 ATEX 0307577X

UNLESS OTHERWISE SPECIFIED: TOLERANCES .XX .XXX ANGLES +.02 ± .01 ± .01		DRAWN R. PARKER DATE 05.MAY.95		ROHRBACK COSASCO SYSTEMS SANTA FE SPRINGS, CALIFORNIA USA	
FINISH MATE FINISH INTENSITY WITH GOLD CHLORIDE SOLUTION 3M 467 ADHESIVE -40 - 400°F		CHECKED AL KELLER DATE 05.MAY.95		TITLE LABEL, INTRINSICALLY SAFE - MODEL 4020LT UL-DEMKO ATEX	
APPLICATION HEAT TREAT		ENGR S.L. STRICKLIN DATE 05.MAY.95		SIZE B DWS. NO. 006300	
402202 402029 NEXT ASSY TOP ASSY		CUSTOMER CONTROL DOCUMENTS		SCALE 1 = 1 DO NOT SCALE DRAWING	
P/N: 006300 Rev. H		MATERIAL 8-12 MIL THICK 1100 - H18 ALUMINUM 5% MAGNESIUM MAX BY WEIGHT		SHEET 1 OF 1	

3. CENTER JUSTIFY TEXT ON LABEL.
 2. LOGO'S SHOWN ARE APPROXIMATIONS. RCS WILL SUPPLY ACTUAL CERTIFICATE LOGO ARTWORK.
 1. ALL CHARACTERS TO BE BLACK.
- NOTES: UNLESS OTHERWISE SPECIFIED: