

# COSASCO® RE-FACER TOOL

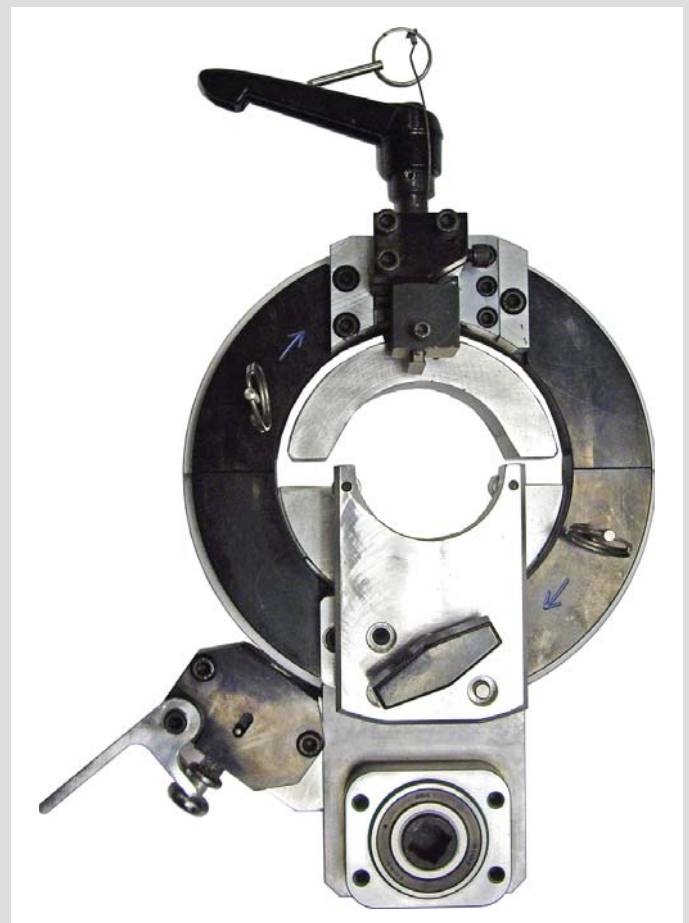
## COSASCO® RE-FACER TOOL RESTORES ACCESS FITTING SEALING FACE TO NEW CONDITION IN A MATTER OF MINUTES!

Avoid the cost and hassle of hot-tapping and replacing damaged or corroded access fittings with the COSASCO® Re-Facer Tool. The Re-Facer Tool restores the sealing face of all two-inch access fittings within minutes with no shutdown required. This lightweight, portable device is very easy to use, requiring no special training. The Re-facer Tool will more than pay for itself with only a few uses.

In certain aggressive environments the sealing face of an access fitting can become corroded without proper maintenance. A corroded sealing face can prevent the service valve from creating a seal with the access fitting which can result in leakage when service valve is used. The Re-Facer Tool allows the user to reface the sealing face of an access fitting to remove any anomalies and restores the sealing face. This repairs the access fitting sealing face to an as new condition without the need of completely replacing the access fitting.

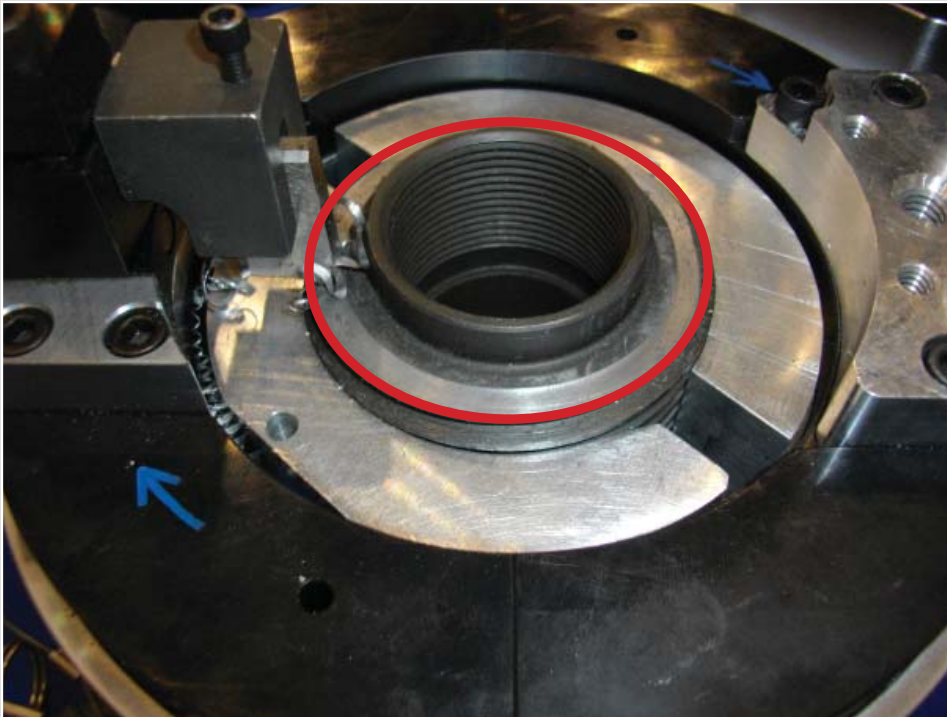
### Features and Benefits:

- Restores Access Fitting sealing face to new condition in a matter of minutes
- No hot tap required
- Restore access fitting while online - No shutdown required
- No special training required - Easy operation
- Low clearance operation



**RESTORE ACCESS FITTING  
ONLINE — NO SHUTDOWN  
REQUIRED!**

# COSASCO® RE-FACER TOOL



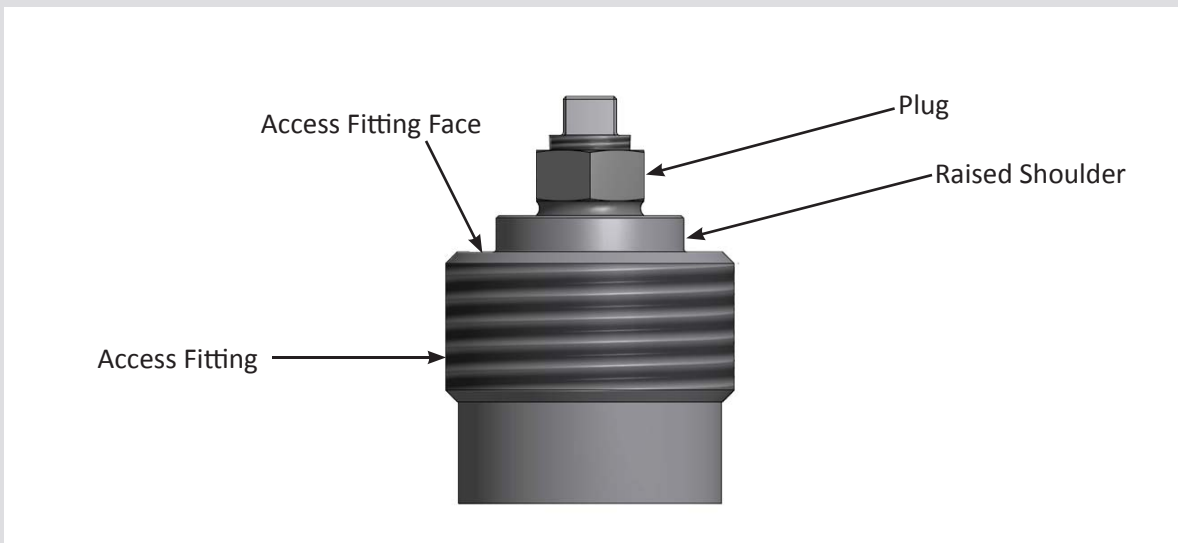
COSASCO® Re-Facer Tool shown in operation approximately half way through cutting cycle



Access Fitting before re-facing



Access Fitting after re-facing



Access Fitting with Plug



**ROHRBACK COSASCO SYSTEMS**

Corrosion Management Solutions

E-mail: [services@cosasco.com](mailto:services@cosasco.com) • Website: [www.cosasco.com](http://www.cosasco.com)

Bulletin #912