

PARVOS DECARBONISER

Perfect if space is at a premium, the Parvos Decarboniser provides efficient and effective decarbonising and degreasing of a wide range of kitchen equipment. The Parvos Decarboniser tank is fully insulated and double skinned ensuring it provides superior efficiency and reduced environmental impact. With an integrated digital temperature control unit, the Parvos is exceptionally easy to use. Perfect for any small to medium sized kitchens including pubs, hotels, restaurants and canteens.



PERFORMANCE SPECIFICATIONS

Energy Efficiency	Consumes approximately 8kWh to reach operating temperature. Once operating temperature is reached consumes approximately 0.22kWh/h or 5.3kWh over 24 hours. At 15 pence per unit of electricity this equates to £1.35 to heat up and £0.80 per 24 hours.
Operating Time	Takes approximately 6 hours to raise water temperature from 20 degrees to 80 degrees centigrade. For heavy decarbonisation a soak time of between 10-12 hours is recommended. For average decarbonisation a soak time of 6-8 hours is recommended. For light decarbonisation and/or degreasing a soak time of 1-2 hours is recommended.
Temperature Control	Digital control unit, factory set at 80°C, adjustable between 60°C - 85°C
Mobility	Fully mobile with 4 x 80mm heavy duty castors, front two are braked
Insulation	Double-skinned and fully insulated tank, recessed and insulated lid prevents heat and condensation escaping.
Ergonomics	Robust, single handled lid with stay-locking mechanism. Heavy duty internal basket with ergonomic, hinged handles for safe tank loading.
Country of origin	Manufactured in the UK

CHEMICAL SPECIFICATIONS

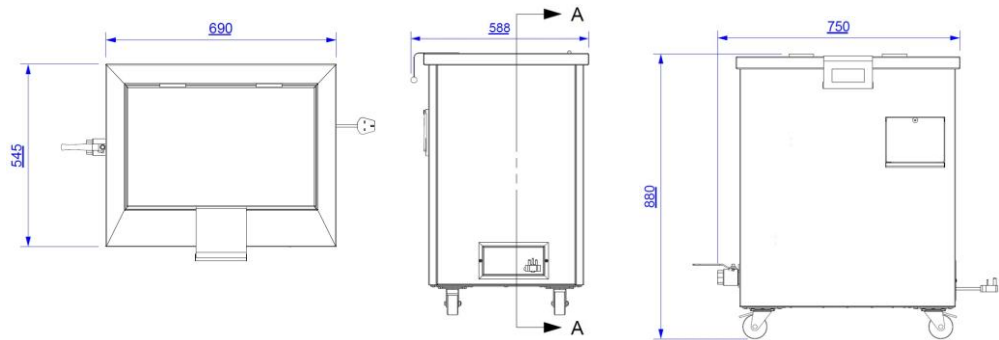
Composition	Powder
Environmental Impact	Biodegradable, non-caustic
Fragrance	Lemon-scented

For more information on ingredients, hazard statements and safety procedures please download the [Decarb IT Decarbonising Powder Safety Data Sheet](#).

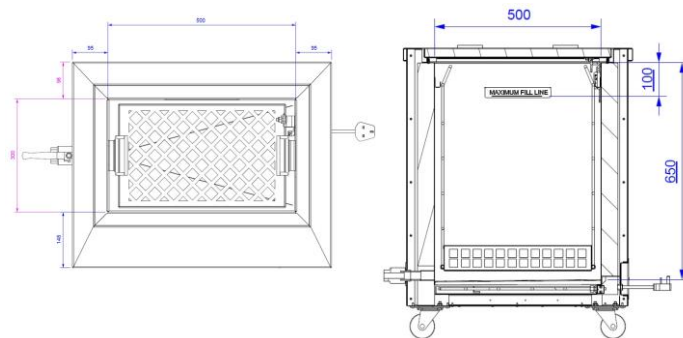
TECHNICAL SPECIFICATIONS

Capacity 80Ltr to maximum fill line

Dimensions (external)



Dimensions (Internal)



Weight	62kg
Voltage	220V/240V 1 phase 50Hz. 1.0 kW loading 4.2Amps approx.
Warranty	Purchase: 1 year. Hire: Full length of contract
Cable	5 metres with 13 amp moulded UK (BS 1363) plug fitted
Main construction	Grade 304, 16-gauge stainless steel
Element	Dry, quick-fit, dual element mounted on a slide out tray.
Drainage	Includes 1" ball tap for drainage, no plumbing required. Must be drained into a wastewater drain only.

For more information including other products available and pricing, please visit www.decarbit.co.uk