



ECLIPSE #9700



Flush Dead-Ends Automatically! Approved GPR Program



- Attaches to any 2½" NST Nozzle
- Maintain Consistently Safe Residuals
- Remove Old Water Before DBPs Form
- Flush At Night When Demand is Low
- Adjustable Flow Rates Up to 200 gpm
- Valve Rated up to 220 psi
- Operates on 9-volt batteries
- Lockable, Secure Aluminum Enclosure
- EPA Approved for Water Conservation
- For Use During Non-freezing Seasons

Patented
 # 6,820,635
 # 6,048,512



See Product Video at:
www.hydrants.com



#9700A (1")

Sizes Available

2" valve will flow approx. 150 gpm
 1" valve will flow approx. 60 gpm

Standard Colors

Red & Yellow (custom colors also available)



Ask about
 our 30-Day
 Pilot Program



Eclipse #9400 Series
 Permanent Flush to Ground
 for Warm and Cold Climates



Since 1857
 2511 North 9th Street / St. Louis, MO 63102



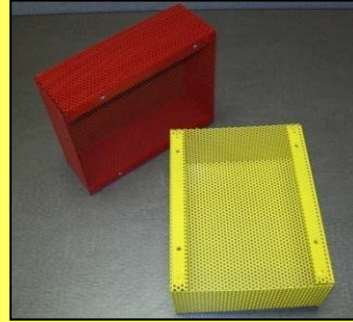
Eclipse #9800 Series
 Permanent Flush to Sewer
 for Warm and Cold Climates

800-231-3990 / www.hydrants.com / 314-231-2820 fax

Eclipse Model #9700 Automatic Flushing Accessories



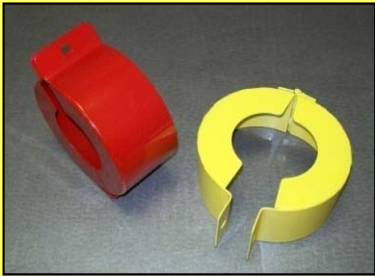
Multi-Directional Diverter



Dechlorination Baskets



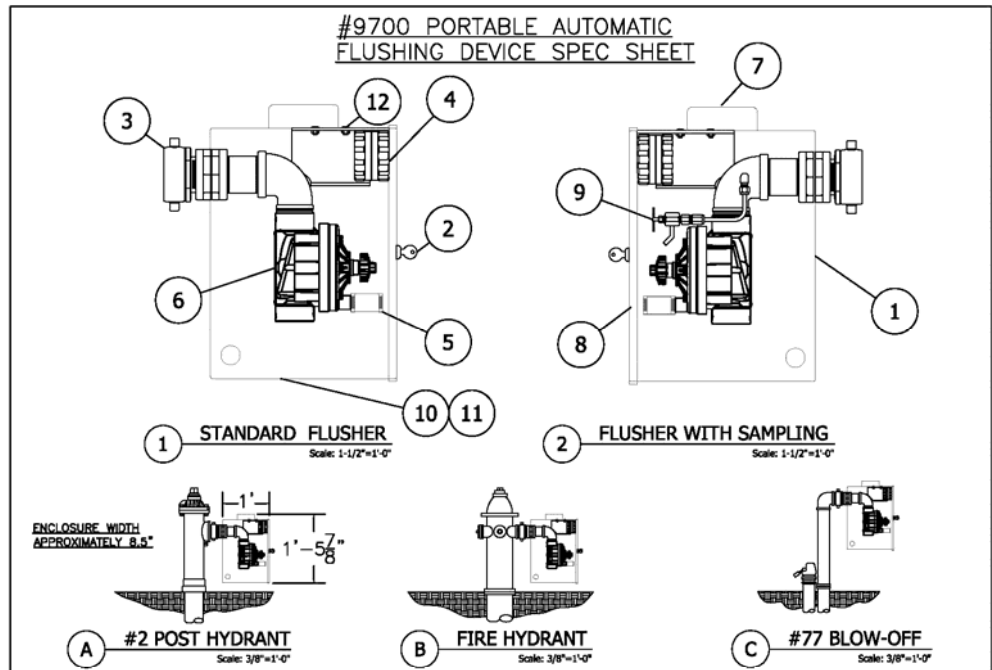
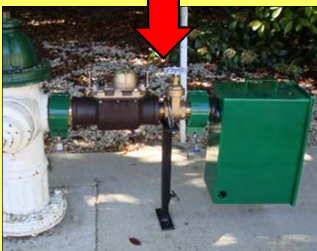
Sampling Bibb



Security Collar Locks



Water Meter Stand



A 2-1/2" NST Swivel connection shall lead into a 2" automatic flushing valve. The flushing valve shall control the flow of water through the hydrant and its diaphragm with the extension and retraction of a DC latching solenoid and have a 220 PSI rating. Each unit shall be furnished with a stand-alone valve controller. The valve controller will not require a second hand-held device for programming. Controller must have minimum of 12 possible flushing cycles per day. Controller shall be submersible to 12 feet, and operate with a 9 volt battery, and have resin-sealed electrical components. The solenoid shall have no loose parts when removed from the valve.

All components shall be housed in a lockable powder coated (RED or YELLOW) aluminum enclosure, with 3/4" perforations in the floor to diffuse flushing water.

A removable floor plate shall allow access to a 2" FIP outlet if needed.

Optional collar lock shall cover the 2-1/2" swivel to prevent any tampering with the device.

Optional diffuser shall be available and able to installed thru removable access plate to allow directions flow of flushed water

Unit model # shall be 9700 as manufactured by Kupferle Foundry Compay, St. Louis MO, or approved equal.

ITEM	ITEM / DESCRIPTION	NOTES
1	POWDER COATED ALUMINUM ENCLOSURE	
2	KEY & LOCK	
3	2-1/2" BRASS SWIVEL	
4	VALVE CONTROLLER	
5	DC LATCHING SOLENOID	
6	2" PGV VALVE	
7	HANDLE	
8	ACCESS DOOR	
9	SAMPLING VALVE	OPTIONAL
10	WATER DIFFUSER FLOOR	NOT SHOWN
11	REMOVABLE PLATE	NOT SHOWN
12	STANDARD CONTROLLER HOLDER	

#9700 AUTOMATIC FLUSHING DEVICE TO BE INSTALLED AT THE FOLLOWING LOCATIONS:

DD/MM/YY	ISSUED FOR REFERENCE
DATE	STATUS / REVISION

#9700 PORTABLE AUTOMATIC FLUSHER SHEET 1 OF 1

DRAWN
EAM
APPROVED
DCL
DATE
6/24/15
SCALE
VARIES



2511 NORTH 9TH STREET
ST. LOUIS, MO 63102
1-800-231-3990
FAX 314-231-2820
www.hydrants.com