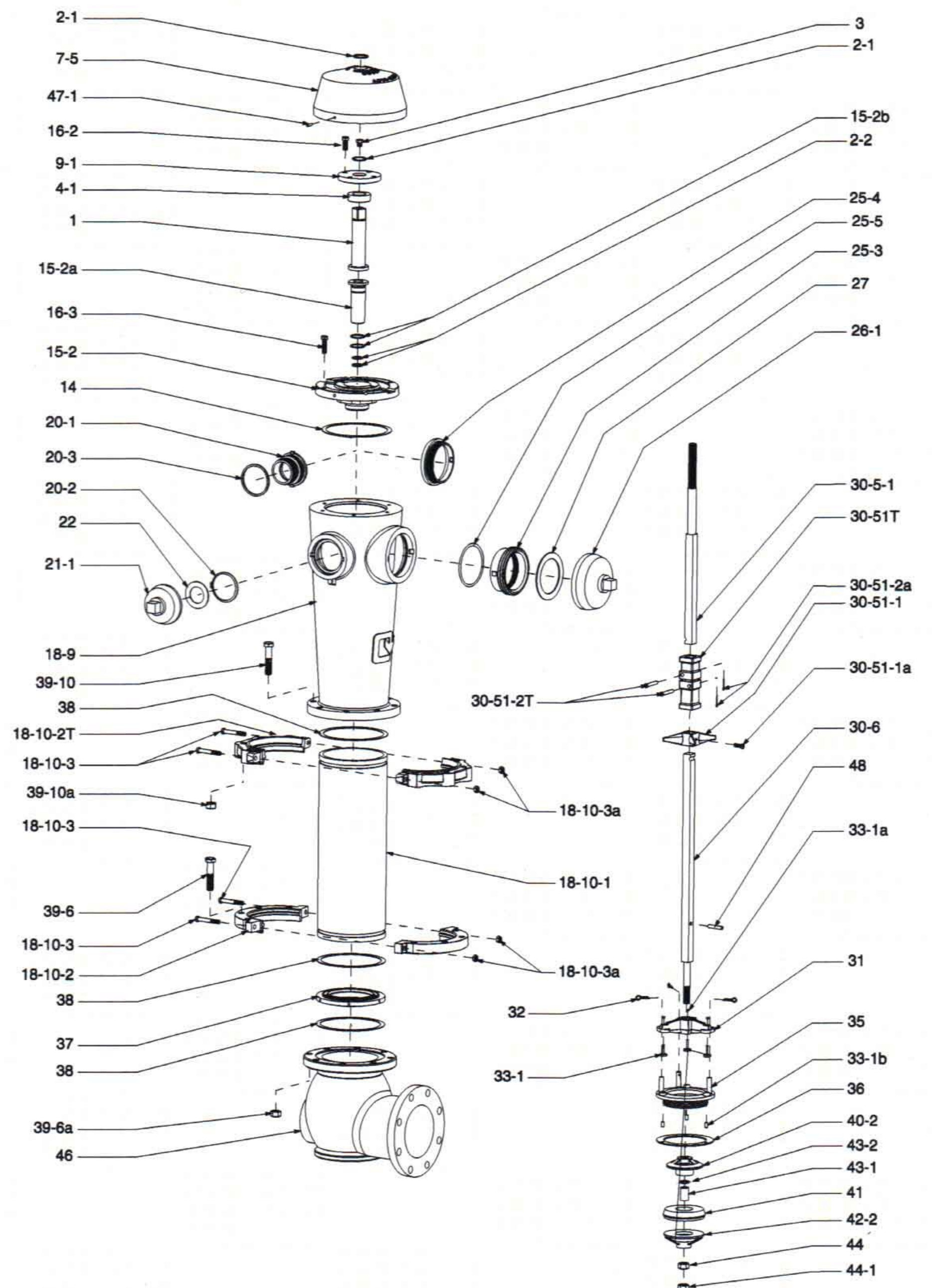
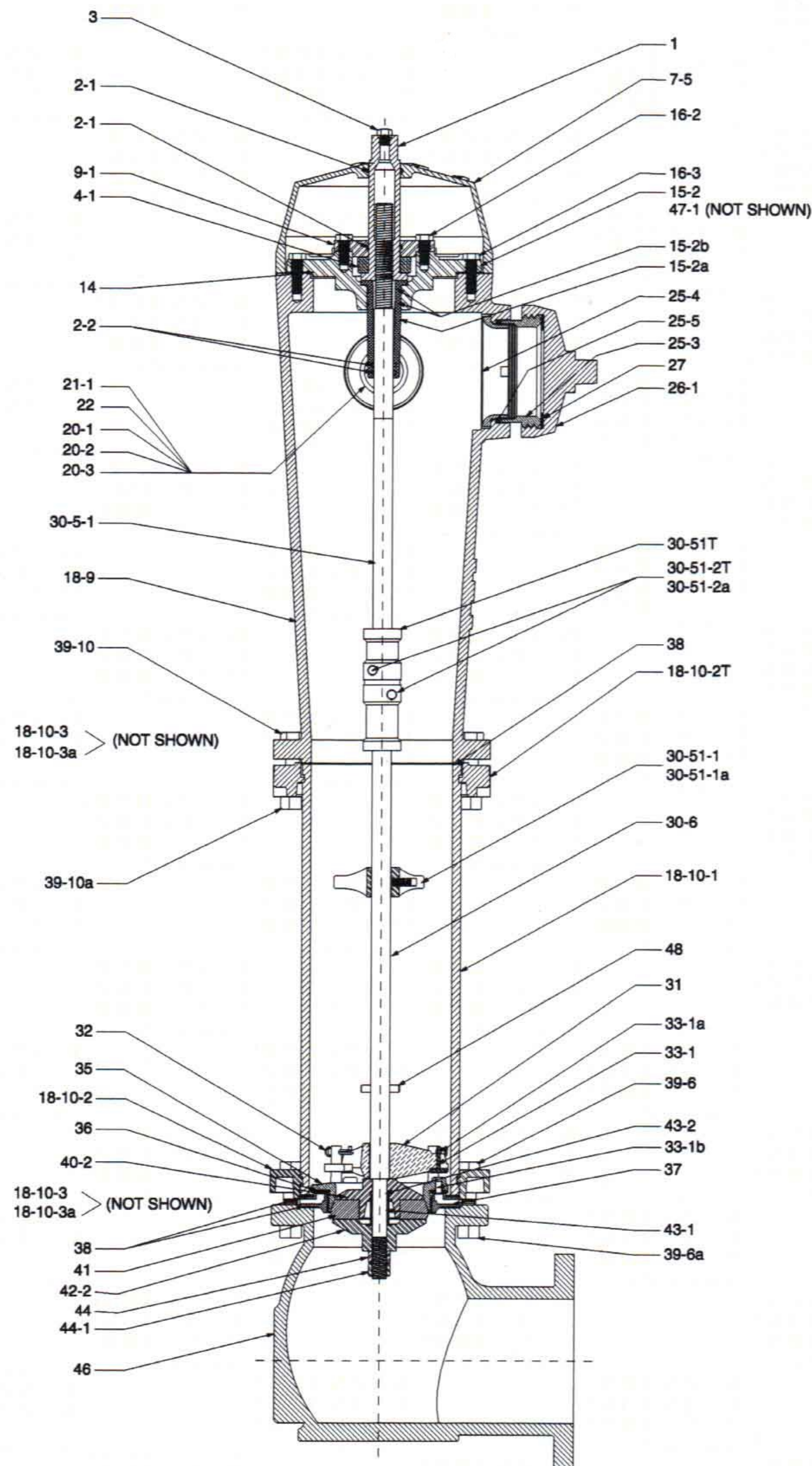


# CENTURY FIRE HYDRANT PARTS

## With E/M (Easy Maintenance) Operating System

PARTS AVAILABLE FROM EVANS SUPPLY 1-800-268-8309



CAT. No.	PART No.	QTY. PER.	DESCRIPTION
1	****	1	Operating nut (open left or right)
2-1	44725	1	O-ring
2-2	194572	2	O-ring
3	222089	1	Lubricating screw
4-1	364378	1	E/M Delrin thrust bearing
7-5	205	1	Cover - Century
9-1	132	1	Bearing housing cover
14	604	1	Bearing housing gasket
15-2	372586	1	E/M Bearing housing
15-2a	372816	1	E/M Bearing housing sleeve
15-2b	373130	2	E/M Bearing housing o-ring
16-2	45314	4	Bearing housing screw cap
16-3	45314	2	Bearing housing screw cap (short)
	45330	4	Bearing housing screw cap (long)
18-9	249556	1	Upper barrel - 2 hose
	291196	1	Upper barrel - 2 hose & pumper
18-10-1	****	1	Lower barrel pipe
18-10-2T	306371	1	Traffic flange
18-10-2	281301P	1	Base flange
18-10-3	204072	4	Flange side bolt
18-10-3a	45834	4	Flange side nut

CAT. No.	PART No.	QTY. PER.	DESCRIPTION
20-1	****	2	Hose nozzle
20-2	258784	2	Hose nozzle retaining ring
20-3	258792	2	Hose nozzle seal
21-1	****	2	Hose nozzle cap
22	1805	2	Hose nozzle cap gasket
25-3	****	1	Pumper nozzle
25-4	303364	1	Pumper nozzle retainer
25-5	306312	1	Pumper nozzle seal
26-1	****	1	Pumper nozzle cap
27	****	1	Pumper nozzle cap gasket
30-5-1	265543	1	Upper rod - open left
	265551	1	Upper rod - open right
30-6	****	1	Lower rod
30-51T	282383	1	Rod coupling - Traffic type
30-51-1	218219	**	Rod guide
30-51-1a	47155	**	Rod guide set screw
30-51-2T	305456	2	Coupling clevis pin
30-51-2a	47368	2	Coupling cotter pin
31	558	1	Drip lever (Includes 33-1, 33-1a)
32	47414	3	Drip lever cotter pin
33-1	574	3	Drip lever washer

CAT. No.	PART No.	QTY. PER.	DESCRIPTION
33-1a	247774	3	Washer lock
33-1b	345	3	Drain tube
35	213	1	Main valve seat
36	280	1	Main valve seat gasket
37	388	1	Drain ring
38	612	3	Barrel & Base gasket
39-6	45594	8	Base flange bolt
39-6a	46051	8	Base flange nut
39-10	45594	8	Ground flange bolt
39-10a	46051	8	Ground flange nut
40-2	450	1	Valve ball top
41	515	1	Hydrant valve
42-2	485	1	Valve ball bottom
43-1	294403	1	Valve sleeve
43-2	41301	1	O-ring
44	46140	1	Rod nut
44-1	362818	1	Rod lock nut
46	****	1	Base (Flanged, MJ, or Slip On)
47-1	218243	2	Cover retaining pin
48	218235	1	Stop pin