

Reap AMI Benefits with an Existing 4G LTE Network

Neptune® Cellular Meter Interface Unit (CMIU™)

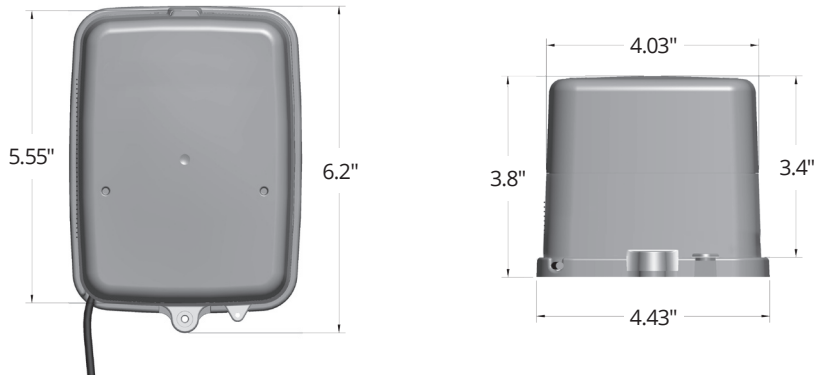


The Neptune® Cellular MIU (CMIU™) securely transmits meter reading data using a 4G LTE cellular network, so your water utility can eliminate the costs and frustrations associated with the installation, maintenance, and troubleshooting of AMI infrastructure. Instead, you can leverage an existing 4G LTE network to provide easy connectivity.

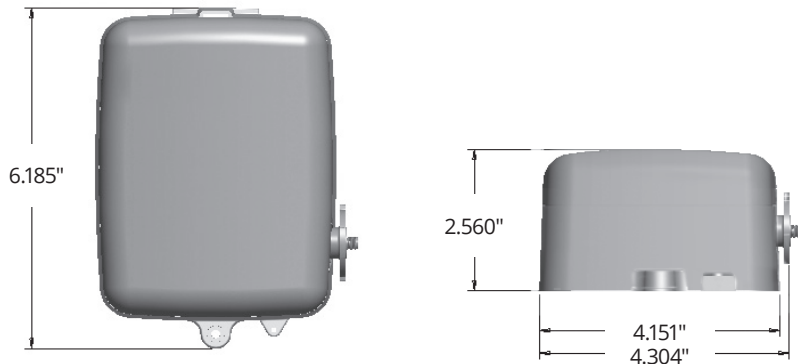
- Network-as-a-Service (NaaS)
- 4G LTE cellular technology using AT&T or Verizon
- Eliminate maintenance, costs associated with AMI deployment
- Operating modes:
 - Basic** – hourly data delivered every 24 hours
 - Advanced** – hourly data delivered every 4 hours
 - Pro** – 15-minute data delivered every hour

Dimensions

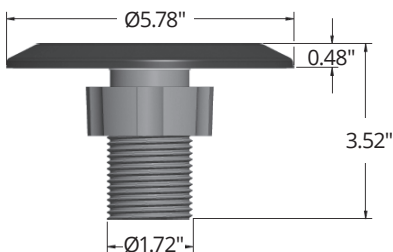
Wall MIU



Pit MIU



CMIU Pit Antenna



Specifications

Environmental Conditions

- Operating temperature:
-22°F to +149°F (-30°C to +65°C)
- Storage temperature:
-40°F to +158°F (-40°C to +70°C)
- Operating humidity:
100% condensing

Antennas

- Wall MIU: Standard internal antenna
- Pit MIU: Standard through-the-lid antenna
 - 18" Coax

Encoded Register Compatibility

- Neptune MACH 10[®], ARB[®]V, ProRead[™], E-CODER[®], and ProCoder[™]
- Sensus ECR II, ICE, iPerl, Electronic Register and OMNI
- Hersey/Mueller Translator
- Badger ADE and HR E|LCD
- Elster/AMCO InVision (Sensus protocol version)

Battery Warranty

- Basic Operating Mode: 10 years*

* Warranty dependent on CMIU mode of operation. Refer to warranty statement.



neptunetg.com

#winyourday

Neptune Technology Group
1600 Alabama Highway 229
Tallahassee, AL 36078
800-633-8754 f 334-283-7293