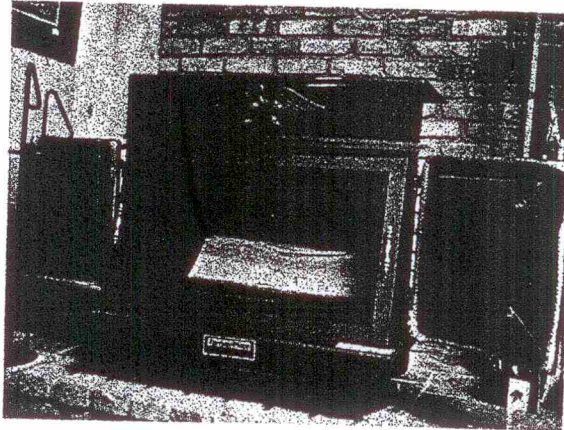


THERMOPLACE

INSTALLATION INSTRUCTIONS AND OWNERS MANUAL



A Product Of

NATIONAL STOVE WORKS^{Inc.}
Howe Caverns Road, Cobleskill, New York 12043 518-296-8517

manufacturers of

Thermo-Control®

The ultimate coal and wood burning system.

- Read this manual carefully before installing your stove. Save it for future reference.
 - All installations must meet all applicable Local and State Codes which may differ from those in the Manual.
-

Welcome to the Thermo-Control Family of fine quality solid-fuel burning appliances!

Thermoplace combines Thermo-Control technology with the grace and charm of a Franklin fireplace. Close the doors, and you have the heating efficiency of an airtight stove. Place the spark screen in front of opened doors, and enjoy the coziness of a crackling fire.

Thermoplace is designed with several special features to help get the most out of your fuel dollar. Continuous welds make the firebox seams airtight. The doors are double-walled for added strength, and have gasketing to make the firebox airtight. Combustion air is automatically regulated by a side-mounted thermostat. The firebox bottom is lined with insulating refractory bricks. Install a grate, and you can even burn coal!

Thermoplace. The word that means both beauty and efficiency — another excellent product from the manufacturers of Thermo-Control.

CONTENTS

I.	Illustration and Features	2
II.	Before Installation.....	3
	2.1 Prefabricated Chimneys	3
	2.2 Masonry Chimneys	3
	2.21 The SUPAFLU™ System.....	3
III.	Installation.....	4
	3.1 Clearances.....	4
	3.2 The Chimney.....	6
	3.2.1 The Masonry Chimney Flue.....	3
	3.3 The Chimney Connector	6
IV.	Fuel	7
V.	Operation.....	8
	5.1 The Thermostat	8
	5.2 Firing.....	8
	5.3 Operating as a Fireplace	9
	5.4 Overnight Burning.....	9
	5.5 Creosote.....	9
	5.6 To Burn Coal.....	10
	5.7 Disposal of Ashes	10
VI.	Maintenance.....	10
	6.1 Gasketing	10
	6.2 Stove Finish	10
VII.	Warranty.....	11

SPECIFICATIONS

Overall Dimensions	32"H x 30"W x 24"D
Door Opening	12½"H x 26"W
Flue Size	8 inches
Maximum Log Length	24 inches

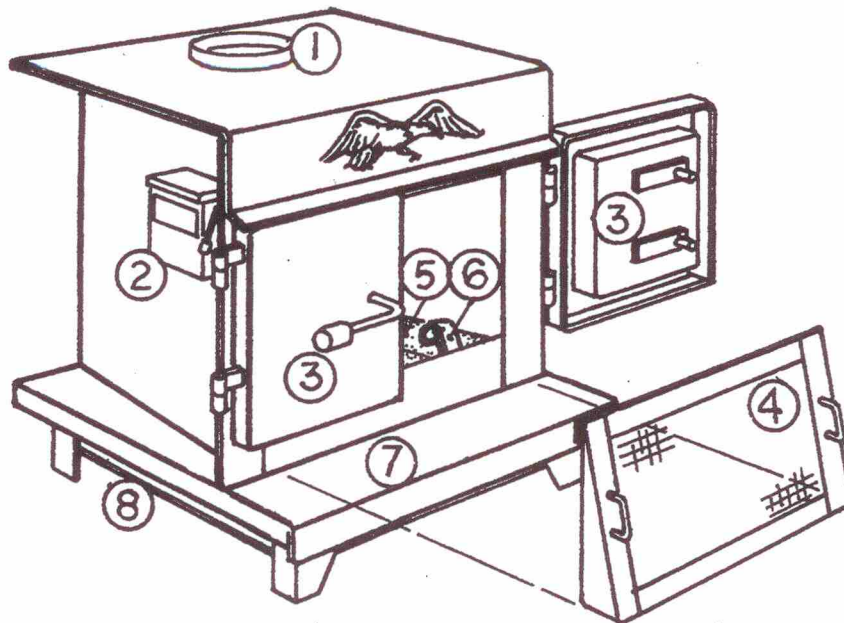


Fig. 1 Pictorial view of the Thermoplace.

I. ILLUSTRATION AND FEATURES

1. **Flue Collar** - constructed so as to overlap the chimney connection pipe. Available in both top and rear vent models.
2. **Side-Mounted Bi-Metallic Thermostat** - is manually set and automatically regulated for an even burn.
3. **Reinforced Double Door** - is gasketed to give the efficiency of an air tight stove.
4. **Spark Screen** - when placed in front of the opened doors, it affords a safe, yet nearly unobstructed view of the fire.
5. **Fire Bricks** - line the firebed with high temperature refractory material that provides an insulated hot bed.
6. **Log Guards** - Provided to keep logs from rolling out of the firebox.
7. **Hearth** - designed to catch any spilled ashes while loading or cleaning.
8. **Floor Heat Shield** - rests on the support tabs welded to the legs. The unit must never be fired without the heat shield in place.

