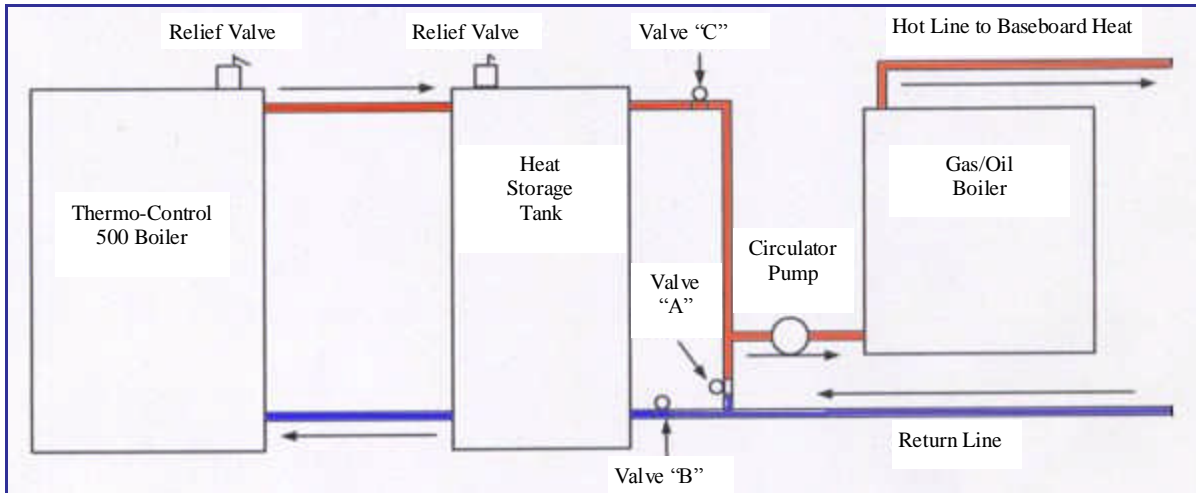
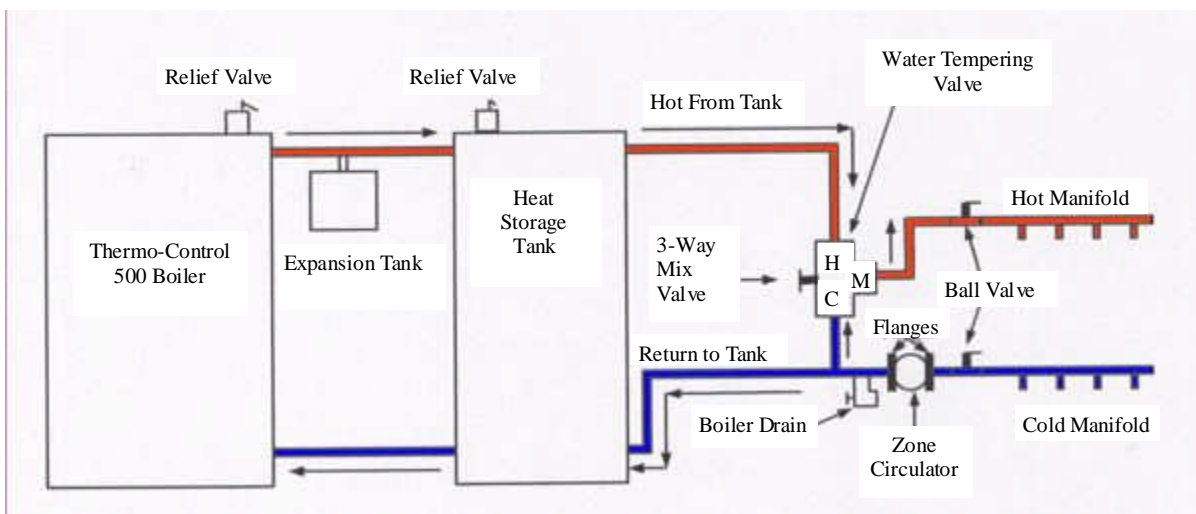


**Sample Installation - Thermo Control Model #500  
With Stainless Steel Water Heating Coils  
Add on to existing gas or oil fired boiler**



**During heating season, close valve "A" and open valves "B" & "C"  
This will divert the cool return water into the heated storage tank where  
it will pick up heated water and then send it into the gas/oil boiler.  
The existing boiler will not fire when the water from the tank is  
warmer than the existing boiler's settings which typically will be 130  
degrees at the lower setting and 150 degrees at the high setting.**

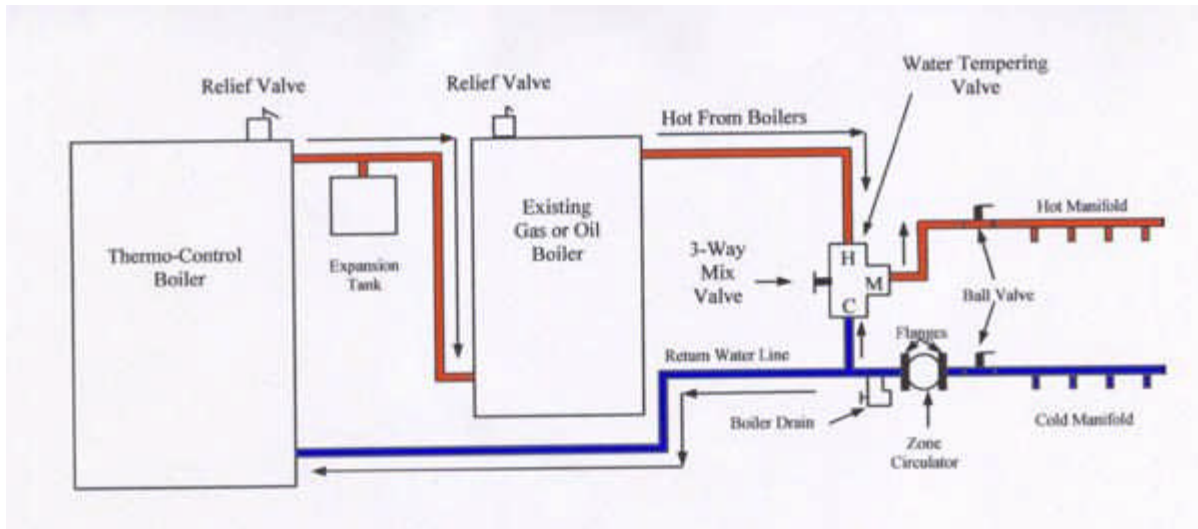
**Thermo-Control Model #500 Unit With Water Heating Coils  
Radiant Floor Heat Sample Installation**



**Water will thermo-siphon (NO circulator pump necessary) between  
the Thermo-Control unit and the storage tank.**

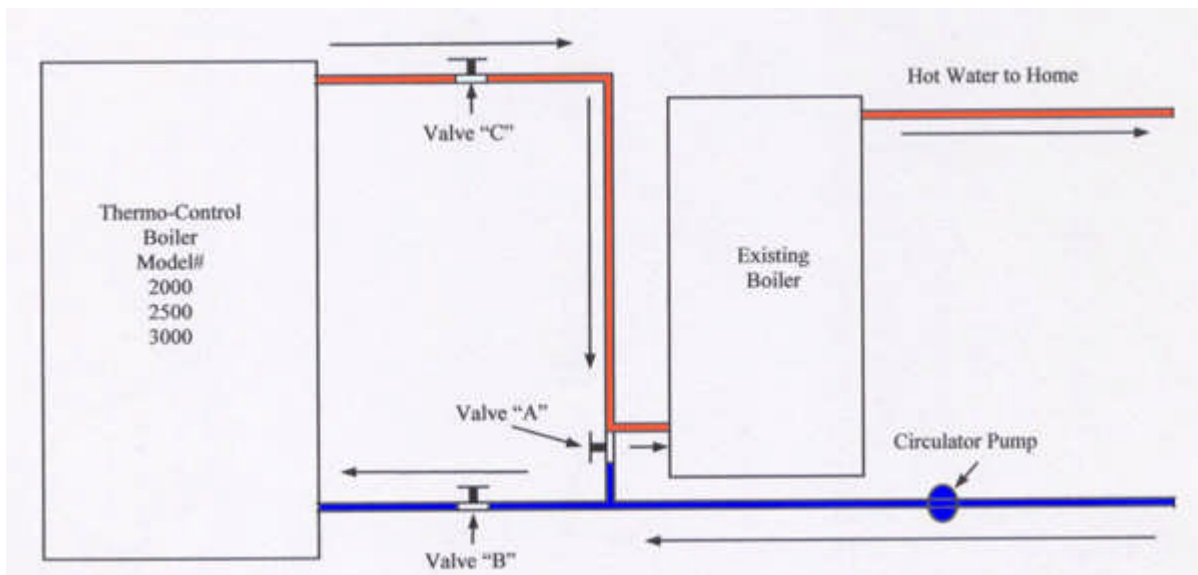
## Radiant Floor Heat Sample Installation

### Thermo-Control Model #2000, #2500 & #3000 Boilers Installed with an existing gas/oil boiler



Water returning from the radiant floor will return to the Wood boiler where it will pick up hot water and is then piped thru the gas/oil backup boiler. The gas/oil boiler will fire only if water temperature falls below desired temperature.

### Installation of Wood Burning Boiler in Existing System



Divert return water to wood boiler where return water will pick up heat and then pass through the existing gas or oil fired boiler. Turn down aquastat on oil/gas boiler to low setting of 120 low and 140 high. Since the wood boiler aquastat temp. is set at 160 low, 180 high, the existing boiler then acts as a back-up only. Close valve "A" and open valves "B" & "C" when operating wood boiler. reverse valve settings when wood boiler is not utilized.

**NOTICE: VERY IMPORTANT**  
**VALVES "B" & "C" MUST BE OPEN PRIOR TO FIRING THE WOOD BOILER**