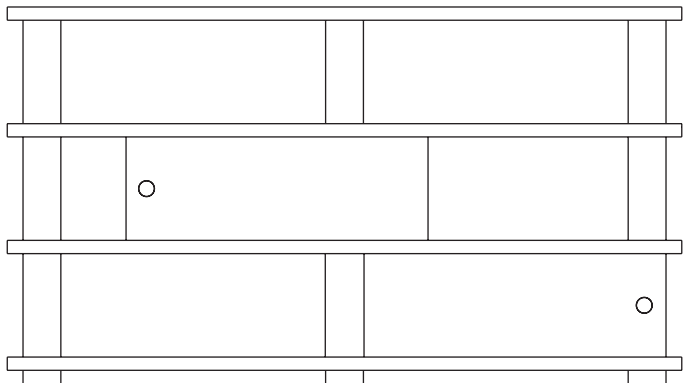


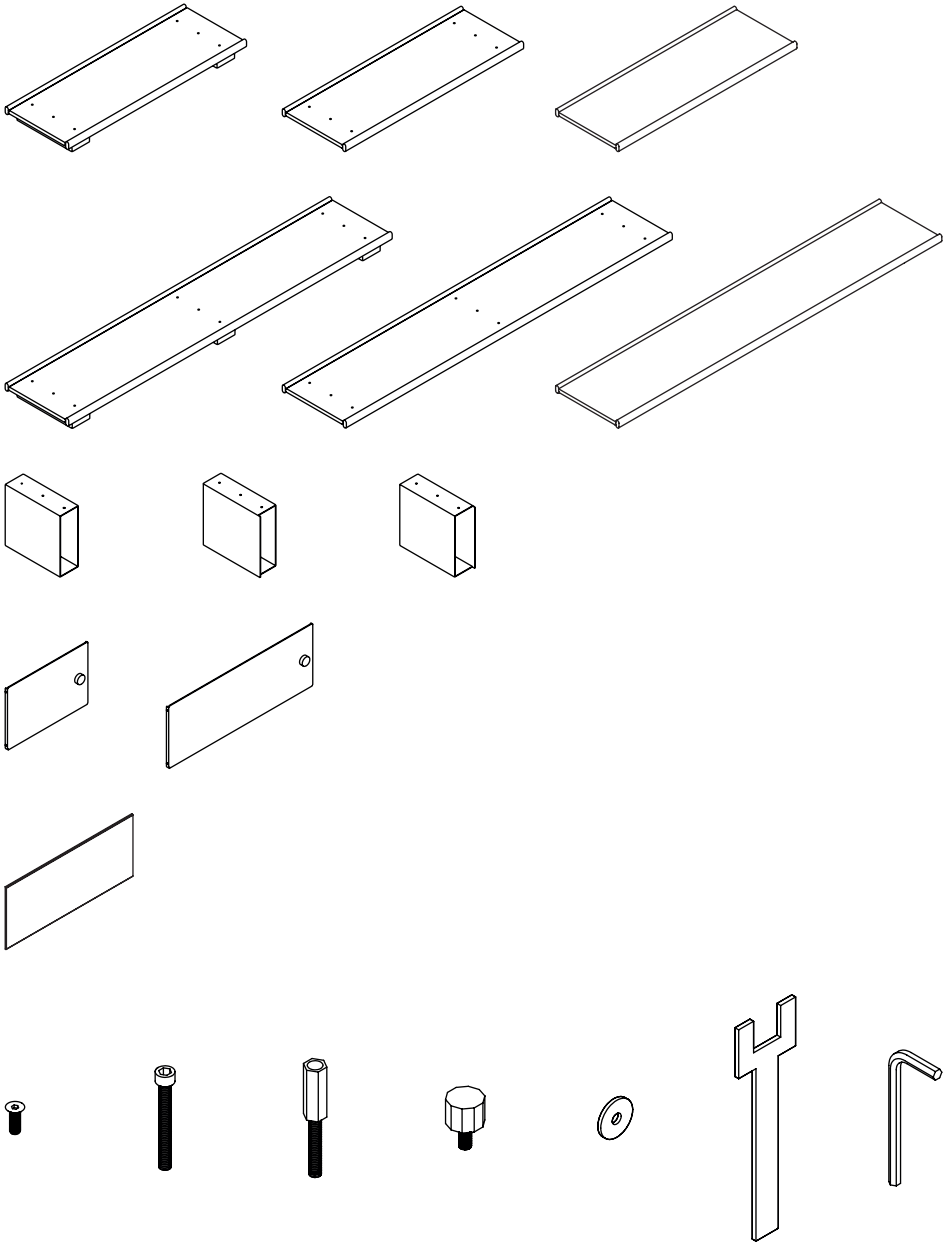


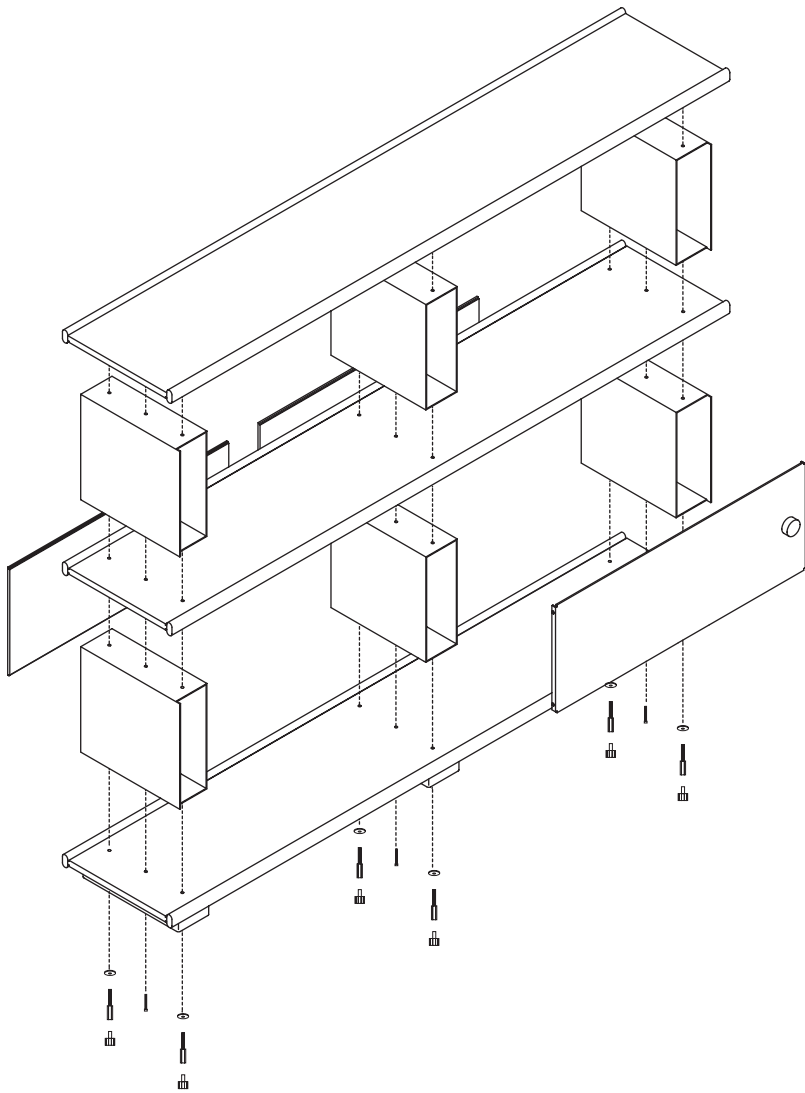
CRUSO

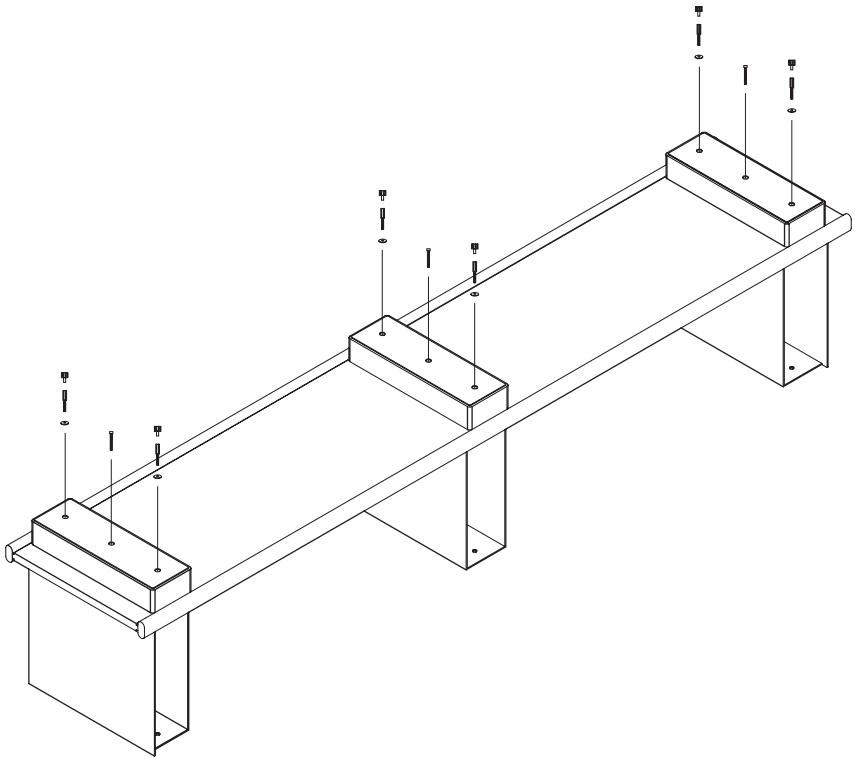
INSTALLATION GUIDE
BLOCK shelving system



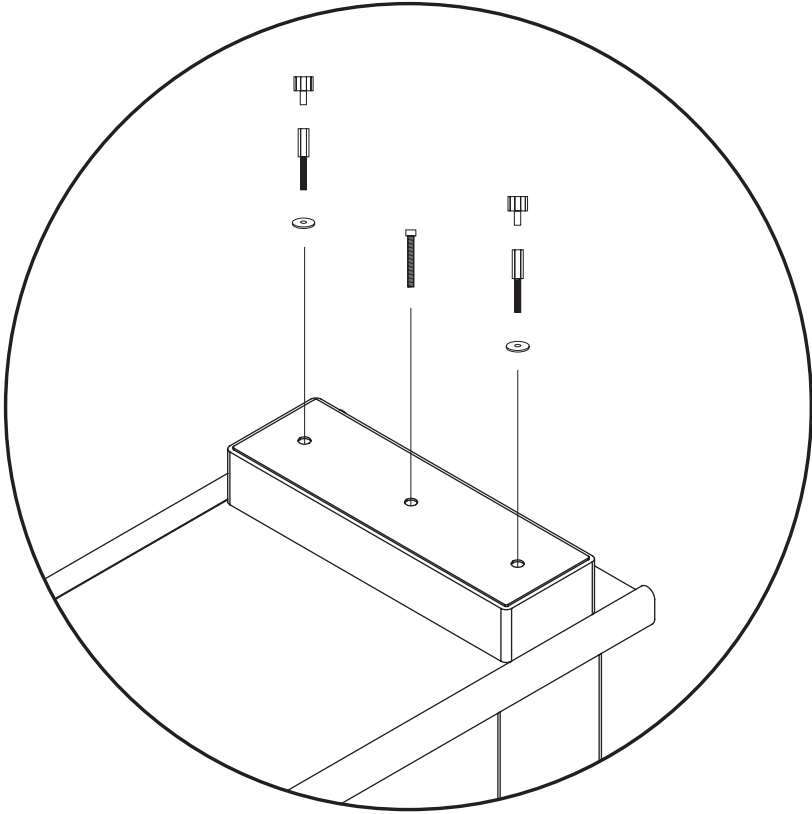
PACKAGE CONTENT



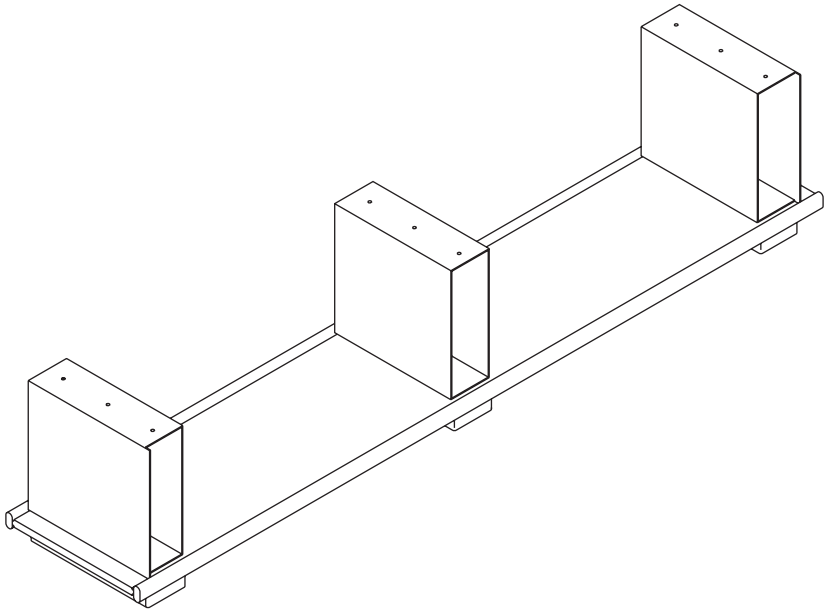




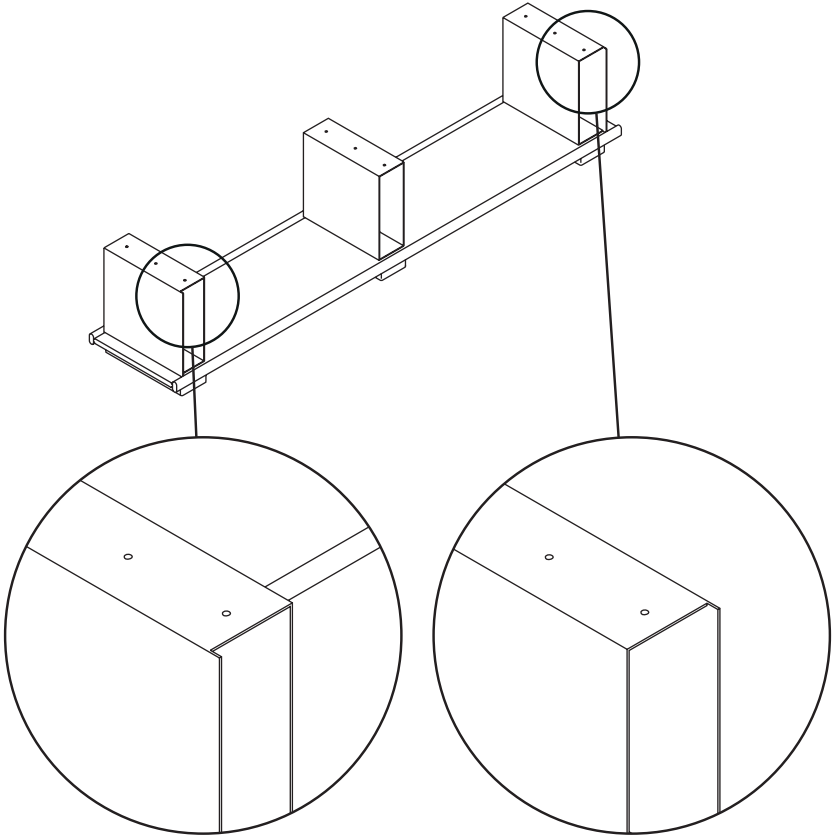
Install the 2 or 3 blocks, left, right and right upside down and place the base on top.



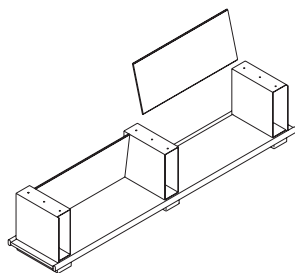
Fix the blocks and the adjustable feet



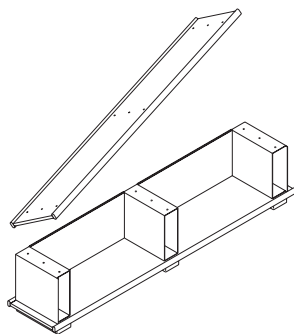
Flip the shelf on its feet



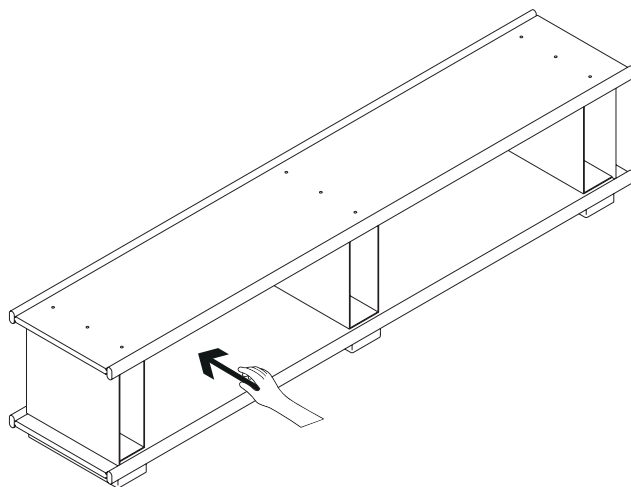
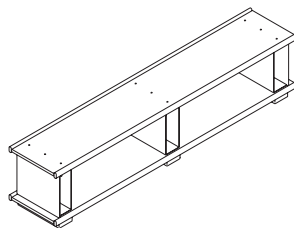
(Make sure to the left and right block in the right place)



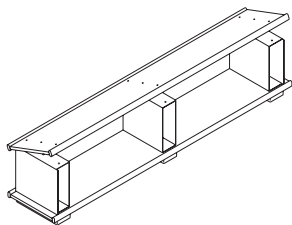
Place the backs of the level and let them lean forward



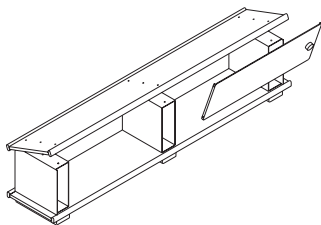
Place the intermediate board by aligning the holes



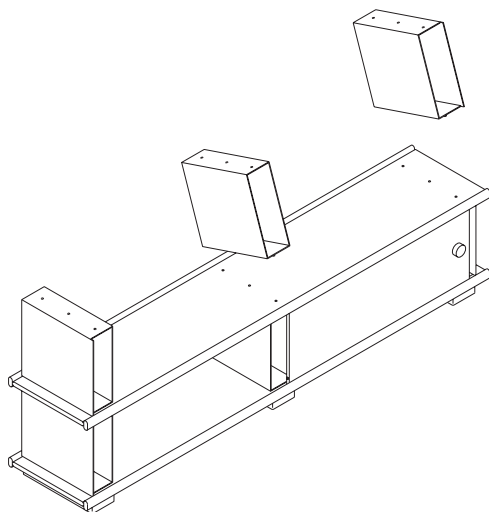
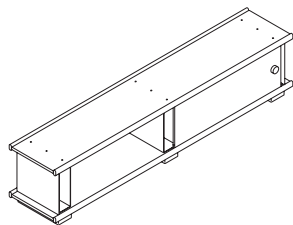
Push the backs in place to lock them in the groove



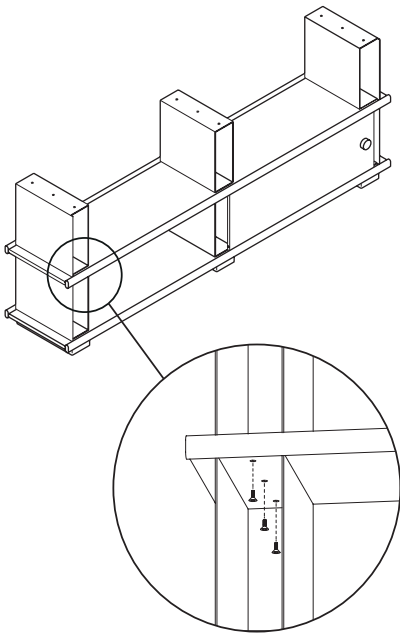
Lift the front of the board



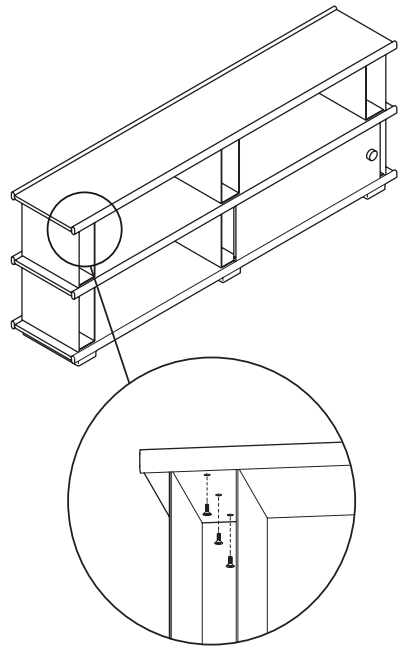
Place the door in the front groove and close



Put the following block in place



Use the XXX screws to
fix the 3 blocks



Place the top board and
screw it the same way

