



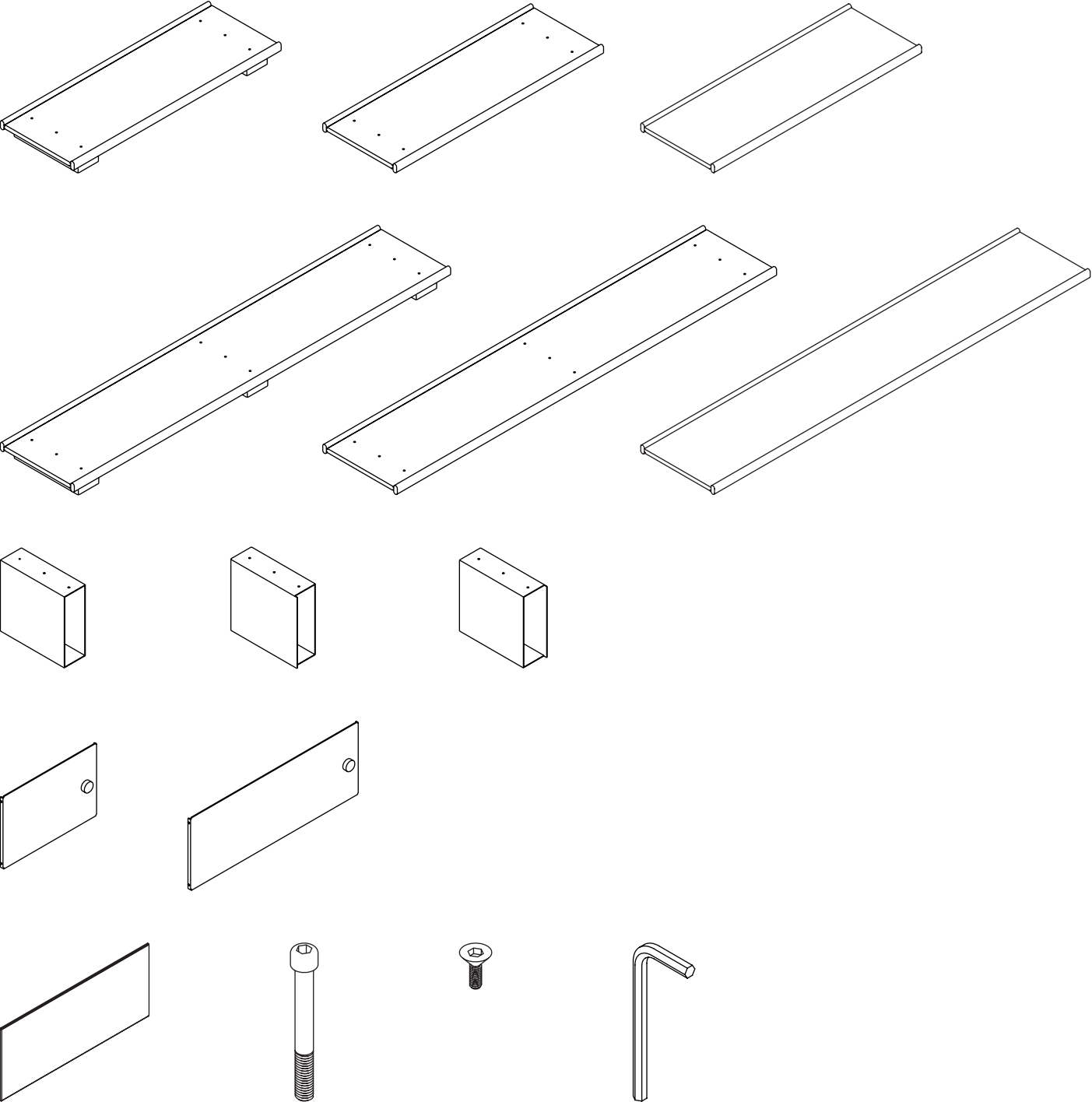
**CRUSO**

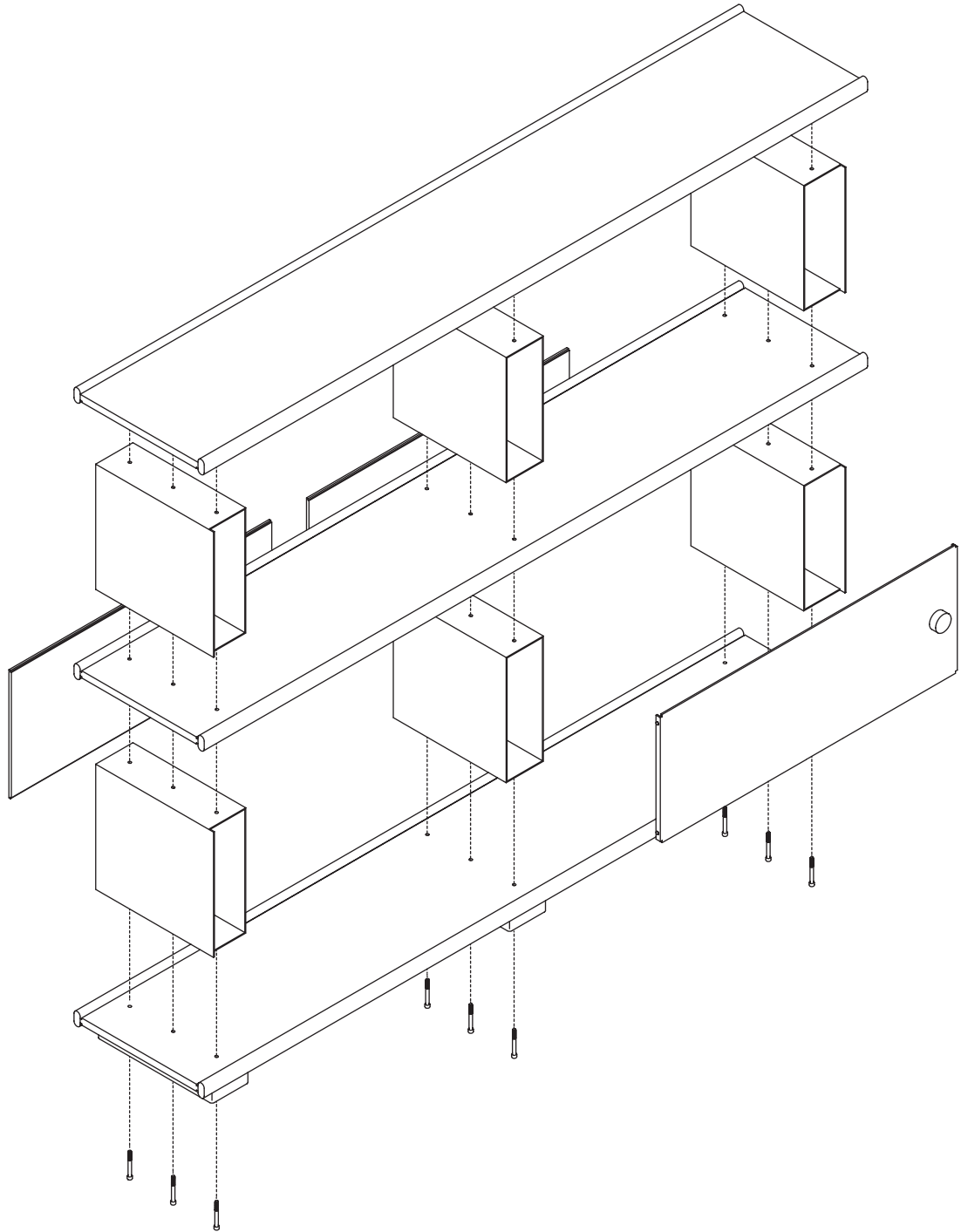
INSTALLATION GUIDE

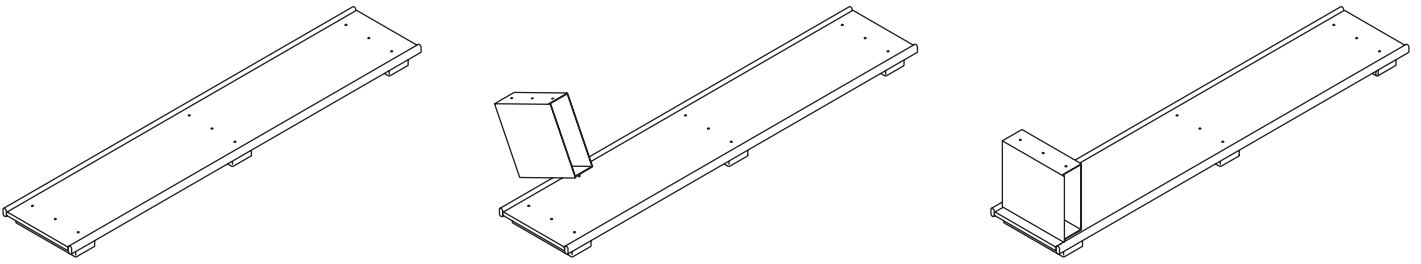
# BLOCK shelving system



# BLOCK PARTS

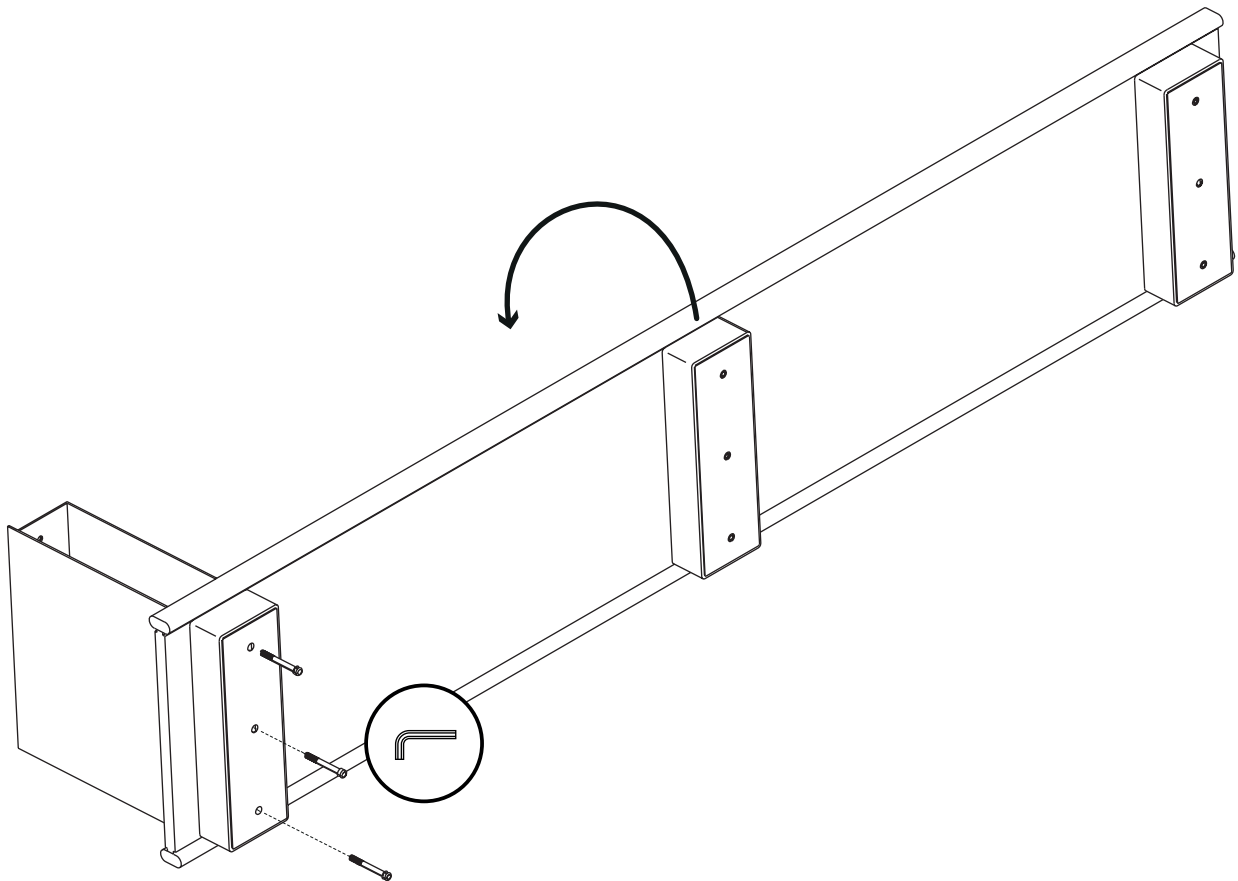




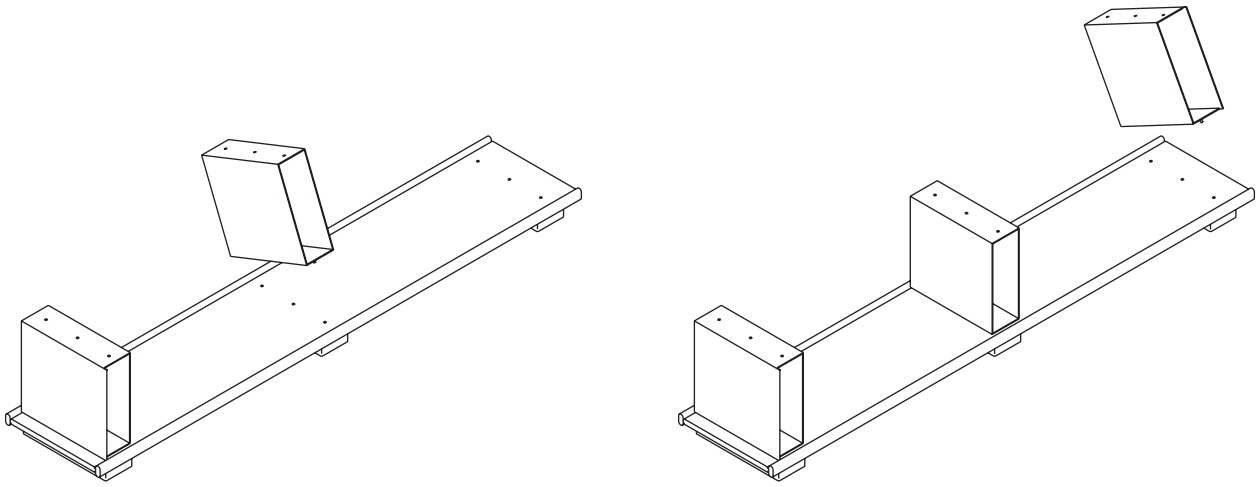


1. Place the base on a clutter-free floor to start assembling

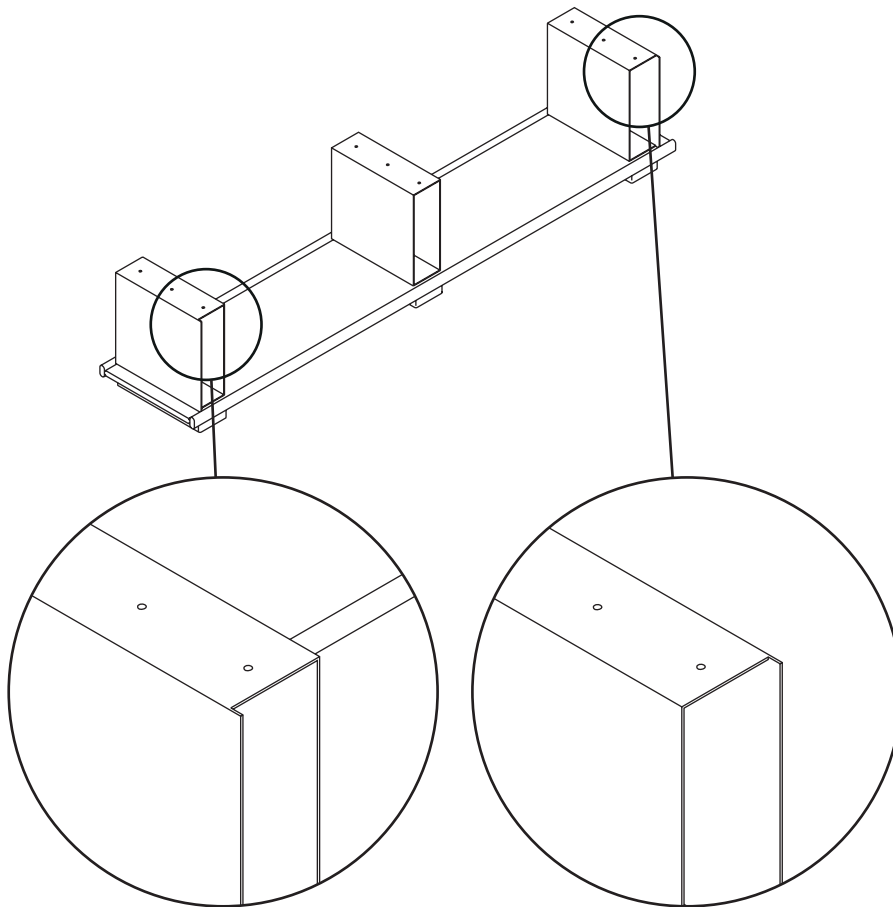
2. Place the left block in the holes of the base



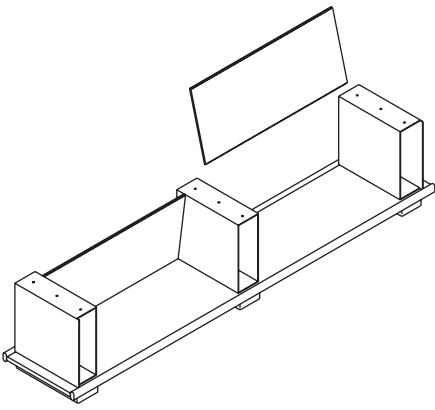
3. Flip the base on its back while maintaining the block and screw



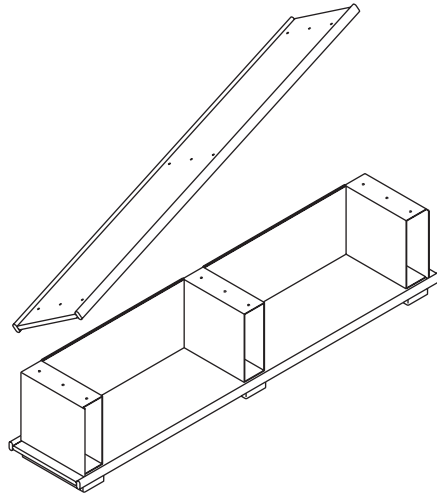
4. Repeat the process for the next two blocks



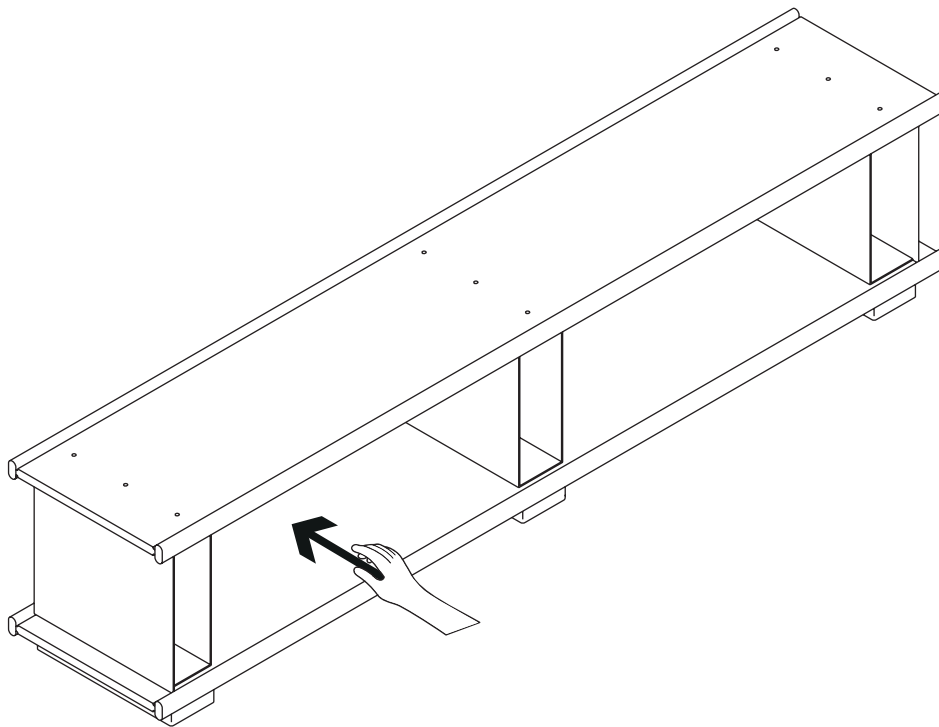
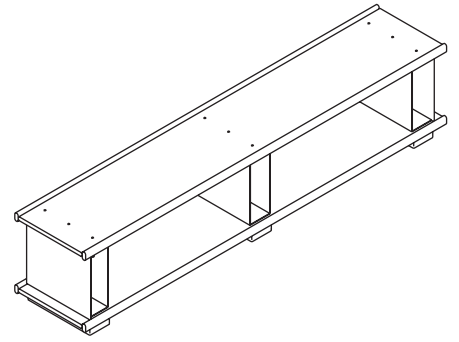
(Make sure to the left and right block in the right place)



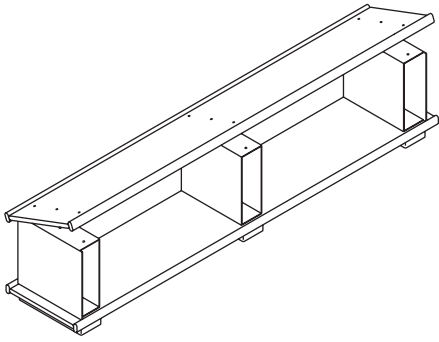
5. Place the backs of the level and let them lean forward



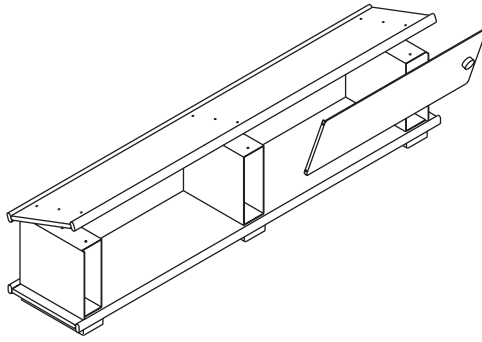
6. Place the intermediate board by aligning the holes



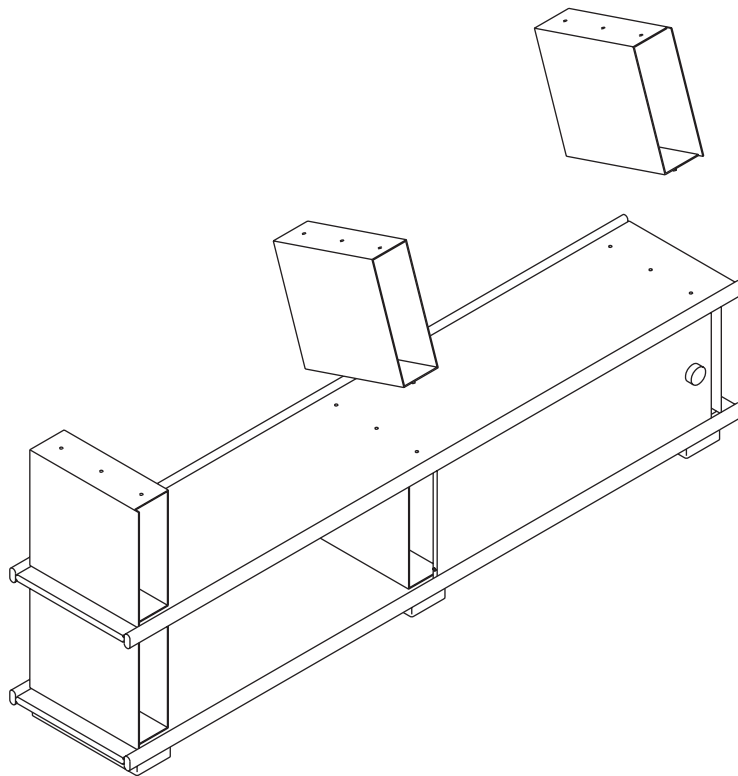
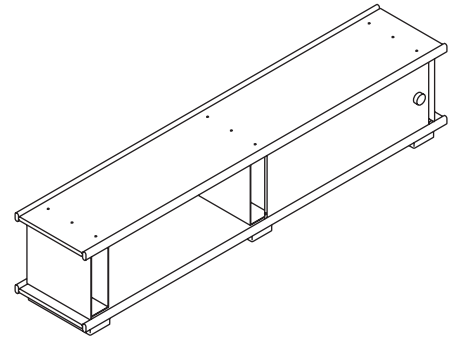
7. Push the backs in place to lock them in the groove



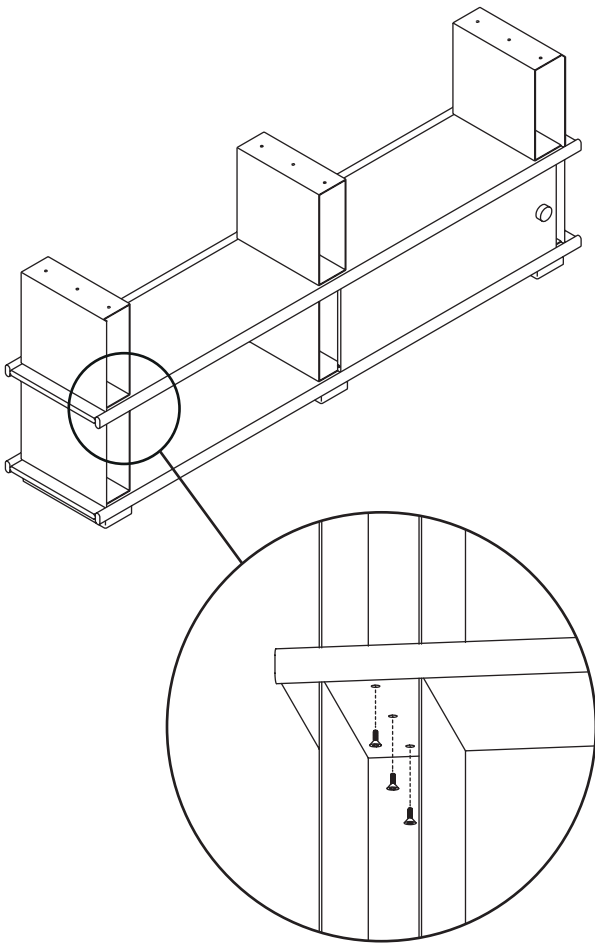
8. Lift the front of the board



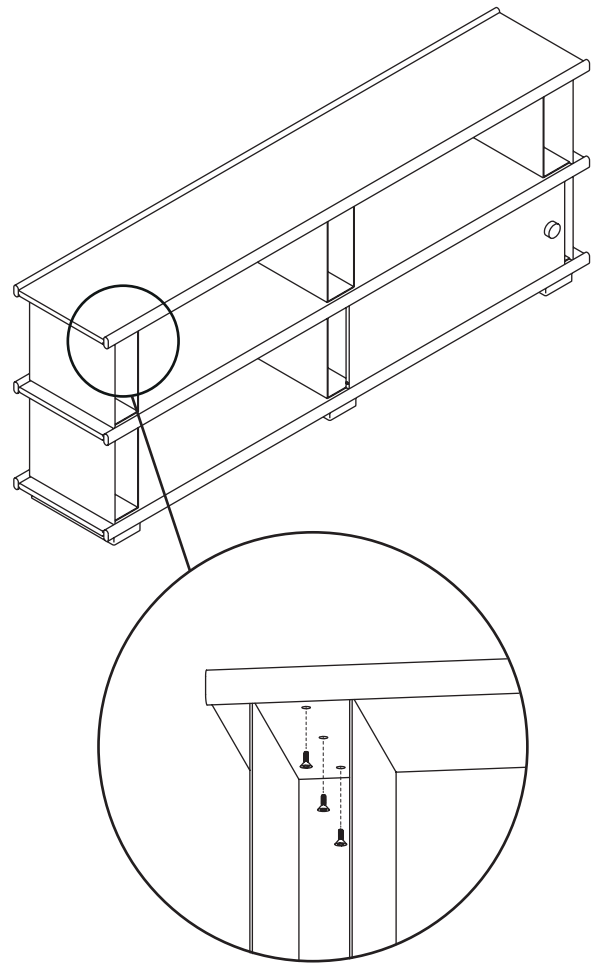
9. Place the door in the front groove and close



10. Put the following block in place



11. Use the XXX screws to fix the 3 blocks



12. Place the top board and screw it the same way



