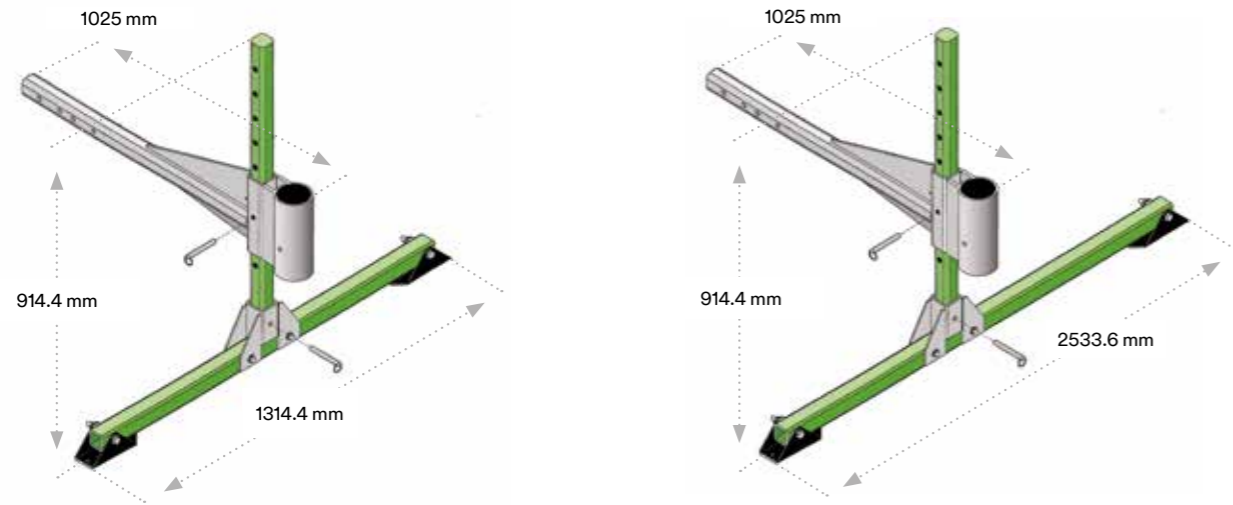


3M™ DBI-SALA® Vehicle Hitch Mount Systems



The Vehicle Hitch Mount Sleeve is designed to install into an attendant vehicle to provide a portable anchor point for confined space entry/retrieval, rescue and fall-arrest systems. Various sockets, extensions and accessories are available to allow use of the sleeve in a multitude of situations.

Vehicle Hitch Mount System Sleeve Extensions



	←→	kg
8514503	0.61 m	7.70
8512829	1.21 m	12.60
8511384	1.83 m	17.60

Extensions are available in a variety of lengths. A maximum of one extension can be used with a hitch mount and a bumper attachment.

Vehicle Hitch Mount System Attachment

	Info	kg
8520886	Universal Hitch Ball Coupler	7.60

Best Seller
8564461

CE EN795 CLASS B

	Info	kg
8560140	For short offset davit	25.80
8564461	For long offset davit	28.10



3M™ DBI-SALA® UCT-300 Aluminum Tripod

CE EN795

8563158	21.60
---------	-------

2.13 m (7 ft.) Tripod with adjustable locking legs, safety chains, top pulley & winch bracket. Weight capacity 205 kg. Note: Winch and SRL not included.



UCT-1000 Aluminum Tripod

Best Seller
8563159

CE EN795 CLASS B

8563159	30.80
---------	-------

3.048 m (10 ft.) Tripod with adjustable locking legs, safety chains, top pulley & winch bracket. Note: Winch and SRL not included.

3M™ DBI-SALA® Digital Winches

3M™ DBI-SALA® Series 100 Digital Winches are rated for a maximum working load of 204 kg (450 lbs) with an 11:1 safety factor. This winch has two cranking speeds capable of retrieval/descent from 4 m/min (13 ft/min) to 9 m/min (30 ft/min). Available in 3 standard sizes. The winch accommodates various diameters of cables up to 9.5 mm (3/8") and ropes up to 15.9 mm (5/8"). All cable/rope assemblies come with a double locking swivel snap hook with overload indicator.

3M™ DBI-SALA® Series 100 Digital Winch



Best Seller
8518558

	⊗	Actual Length	Working Length	kg
8518560	⊗	21.3 m	18 m	13.80
8518558	⊗	21.3 m	18 m	13.84
8518561	⊗	30 m	27 m	14.70
8518559	⊗	30 m	27 m	14.74

Overload Protection Clutch



8512936	0.68
---------	------

Features a maximum working load of 204 kg (450 lbs.). Use with cordless drill 0-300 RPM, 45 N.m torque minimum.