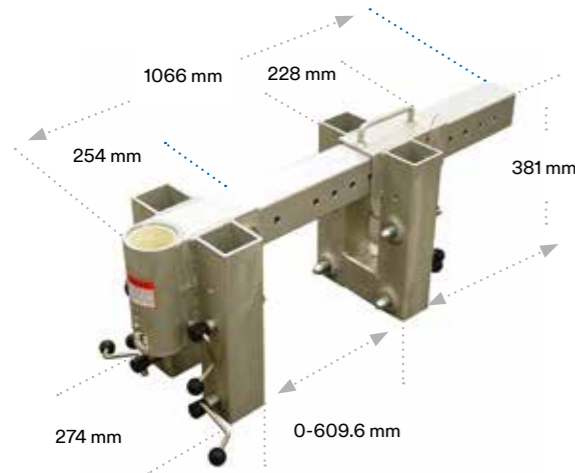


3M™ DBI-SALA® Adjustable Barrel Mount Sleeve



CE EN795 CLASS B

	Info	kg
8562285	0-60.90 cm	26.00

Designed for shoring, wall and parapet applications where frequent set-up over varying wall thicknesses is required. Anodized, welded aluminum with zinc plated steel hardware for lightweight durability. Comes with inner sleeve. Can only be used with a short offset davit.

3M™ DBI-SALA® Flush Floor Mount Sleeve



CE EN795 CLASS B

	Info	kg
8560316		9.50

Mild Steel construction. Recessed fastener pockets allow for bolt-in installation into existing concrete. Adjustable Barrel Mount Sleeve Davit Base - Flush Mount Design allows passage of traffic and eliminates trip hazards when not in use. Comes with PVC sleeve liner.

The 3M™ DBI-SALA® Counterweight System is composed of a central base unit to accommodate a variety of anchoring options, positioning and adjustment legs, and extension assemblies.

Use this base assembly with the Catwalk Clamp to secure to the underside of elevated walkways, catwalks and mezzanines. This option offers a flexible mix of tank entry into challenging areas. Weight plates sold separately. Weight capacity 205 kg.

Applications



CE EN795 CLASS B

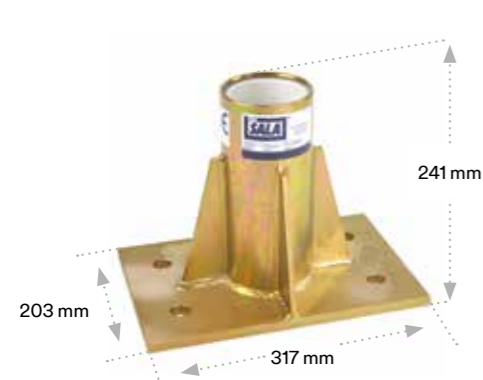
3M™ DBI-SALA® Counterweight System Base



CE EN795 CLASS B

	Info	kg
8562894	Base & Screw Leg Assembly	90.00

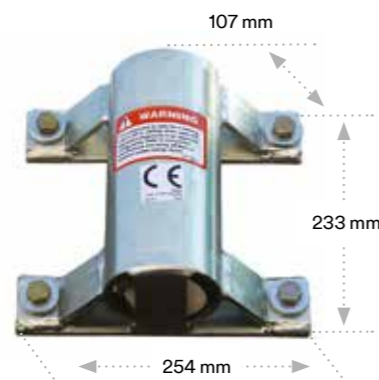
3M™ DBI-SALA® Centre Mount Sleeve



	kg
8562831	11.10

Zinc Plated Mild Steel construction. Mounts to existing concrete. Comes with PVC sleeve liner.

3M™ DBI-SALA® Wall Mount Sleeve

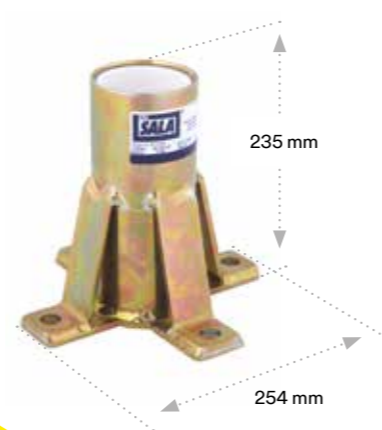


Best Seller 8566191

	Ⓢ	kg
8566191	Ⓢ	5.50
8568348	Ⓢ	5.50

Compact design creates minimum intrusion into work space. Mounts to vertical concrete or steel structures. Comes with PVC sleeve liner.

3M™ DBI-SALA® Floor Mount Sleeve



Best Seller 8566190

	Ⓢ	kg
8566190	Ⓢ	6.10
8568347	Ⓢ	6.10

Mounts to horizontal concrete or steel structure. Comes with PVC sleeve liner.

Counterweight Cart



Best Seller 8520867

	kg
8520867	136.08

Offers a portable solution to move your counterweight easily & effectively in areas throughout a plant on level ground. Weight plates sold separately.

Extendable Pole Hoist



Best Seller 8560476

	Info	kg
8560409	1.2 m - 2.1 m	5.40
8560476	1.8 m - 3.05 m	6.35
8561235	T Bar Leg Assembly	3.20