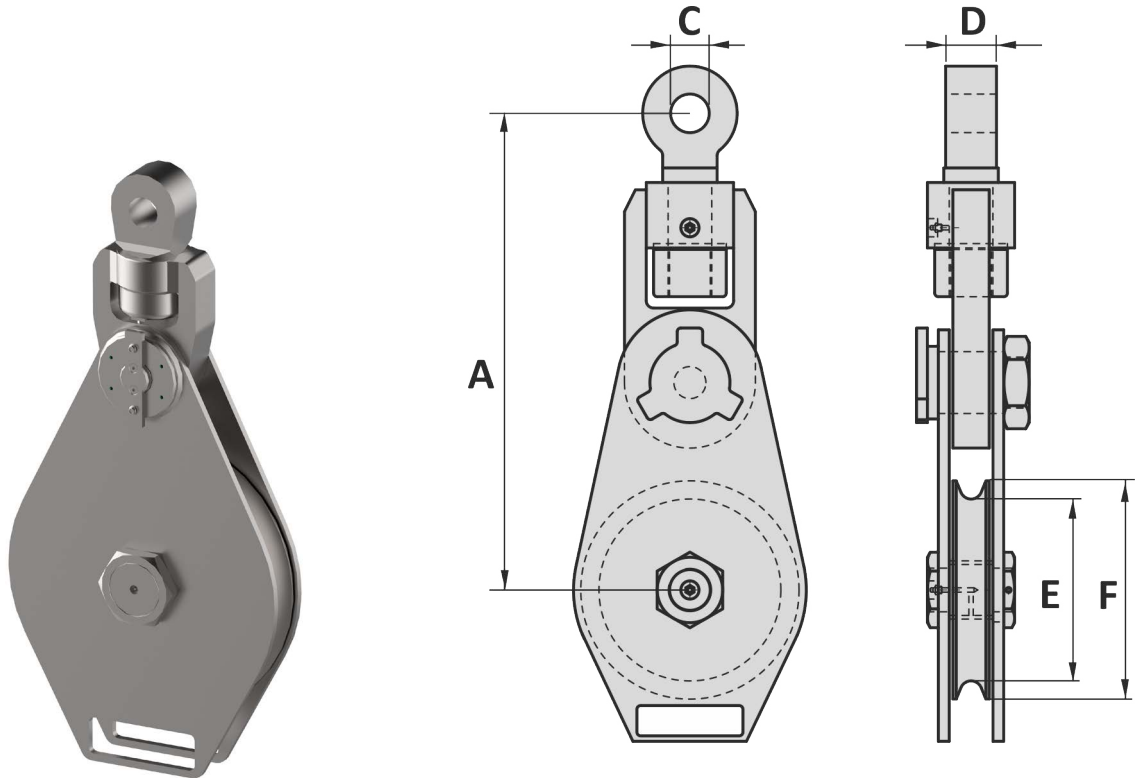


Material : Mild steel  
 Safety factor : 4 times  
 Finish : Painted  
 Temperature range : -20°C up to +200°C  
 Standard certification : Certificate of Conformity

Sheaves with bronze bearing,  
 Sheaves with roller bearing on requested

Groove size can be changed on request for bigger rope sizes



Art. No.	Type No.	WLL ton	Rope size mm	Line pull ton	A mm	C mm	D mm	E mm	F mm	Weight kg
20143118	SH43118	35	32 - 38	17.5	680	60	80	380	450	160
20143224	SH43224	55	38 - 42	27.5	850	73	100	520	605	260
20143230	SH43230	85	44 - 48	42.5	1020	85	120	640	760	484
20143234	SH43234	120	50 - 55	60	1190	100	140	740	860	740
20143236	SH43236	150	60 - 70	75	1320	113	160	760	910	992
20143242	SH43242	200	75 - 85	100	1490	135	170	870	1060	1573
20143246	SH43246	250	88 - 93	125	1645	145	190	970	1170	2097

Tolerance: Machined parts ± 1 mm

Art. No.	Type No.	WLL ton	Rope size mm	Line pull ton	A inch	C inch	D inch	E inch	F inch	Weight lbs
20143118	SH43118	35	32 - 38	17.5	26 <sup>25</sup> / <sub>32</sub>	2 <sup>3</sup> / <sub>8</sub>	3 <sup>5</sup> / <sub>32</sub>	14 <sup>3</sup> / <sub>32</sub>	17 <sup>23</sup> / <sub>32</sub>	353
20143224	SH43224	55	38 - 42	27.5	33 <sup>15</sup> / <sub>32</sub>	2 <sup>7</sup> / <sub>8</sub>	3 <sup>15</sup> / <sub>16</sub>	20 <sup>15</sup> / <sub>32</sub>	23 <sup>13</sup> / <sub>16</sub>	573
20143230	SH43230	85	44 - 48	42.5	40 <sup>5</sup> / <sub>32</sub>	3 <sup>11</sup> / <sub>32</sub>	4 <sup>23</sup> / <sub>32</sub>	25 <sup>3</sup> / <sub>16</sub>	29 <sup>15</sup> / <sub>16</sub>	1067
20143234	SH43234	120	50 - 55	60	46 <sup>27</sup> / <sub>32</sub>	3 <sup>15</sup> / <sub>16</sub>	5 <sup>1</sup> / <sub>2</sub>	29 <sup>1</sup> / <sub>8</sub>	33 <sup>7</sup> / <sub>8</sub>	1631
20143236	SH43236	150	60 - 70	75	51 <sup>3</sup> / <sub>32</sub>	4 <sup>3</sup> / <sub>16</sub>	6 <sup>5</sup> / <sub>16</sub>	29 <sup>15</sup> / <sub>16</sub>	35 <sup>13</sup> / <sub>16</sub>	2187
20143242	SH43242	200	75 - 85	100	58 <sup>2</sup> / <sub>32</sub>	5 <sup>5</sup> / <sub>16</sub>	6 <sup>11</sup> / <sub>16</sub>	34 <sup>1</sup> / <sub>4</sub>	41 <sup>3</sup> / <sub>4</sub>	3468
20143246	SH43246	250	88 - 93	125	64 <sup>3</sup> / <sub>4</sub>	5 <sup>23</sup> / <sub>32</sub>	7 <sup>15</sup> / <sub>32</sub>	38 <sup>3</sup> / <sub>16</sub>	46 <sup>1</sup> / <sub>16</sub>	4623

Tolerance: Forged parts ± 5%, machined parts ± 1/32 inch

21-06-2018