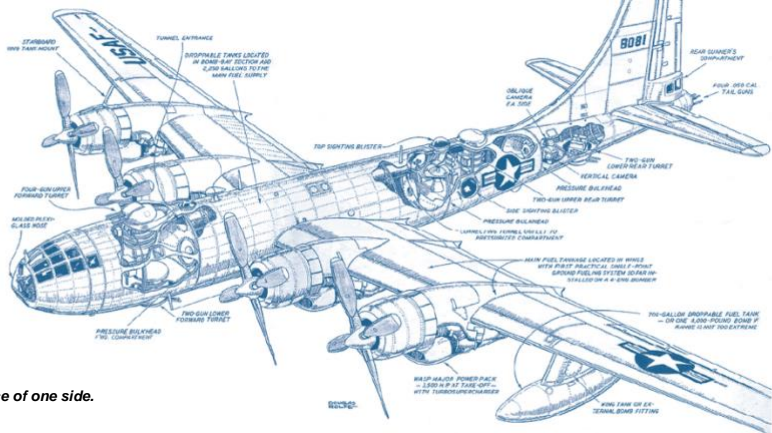


# HEAVY AIRCRAFT WITH CARGO



All selections come with a choice of one side.

### RAIDER

6 oz. rib-eye steak served on sesame seed bun and topped with & topped with lettuce, tomatoes, onions, mayo & mustard. 12.95

### CORSAIR

Baked French croissant with slices of ham, turkey, crispy bacon, provolone cheese, mayo & mustard. 10.95

### WARHAWK

Hot Italian hoagie sandwich with smoked ham, pepperoni, hard salami, & provolone cheese, with lettuce, tomatoes, onions, salt, pepper, & Grecian dressing on a hot hoagie. 10.95

### HAWKER FURY

Reuben sandwich on toasted rye bread with grilled corned beef & sauerkraut, topped with Swiss Cheese. Served with Thousand Island dressing. 10.95

### PHILLY FLYER

Slow-cooked roast beef, grilled with sliced onions & bell peppers, topped with mozzarella on a hot Italian hoagie roll with mayo. 11.95

### MARAUDER

Slow-cooked roast beef, grilled with sliced sautéed mushrooms, topped with mozzarella on a hot Italian hoagie roll with mayo. 11.95

### JUGGERNAUT

## SWEET THANG!

#### PREMIUM PIES

- Caramel Apple
- Caramel Pecan Fudge
- Key Lime Cheesecake
- Lemon Raspberry Cheesecake
- Manhattan Cheesecake
- Oreo Cheesecake
- Oreo Pie

5.95 per slice

#### PREMIUM CAKES

- Reese's Cheesecake
- Reese's Pie
- Strawberry Cheesecake
- Snickers Blitz Pie
- Triple Chocolate Cheesecake
- Turtle Cheesecake

7.95 per slice

#### FRESH BAKED COOKIES

- Chocolate Chunk Pretzel
- Double Chocolate Chunk
- Heath Bar
- Lemon Blueberry
- Peanut Butter
- Oatmeal Raisin
- Red Velvet
- White Chocolate Macadamia Nut

1.95 per cookie  
10.95 Half Doz. / 20.95 Doz.

#### BAKLAVA

3.25 per slice

## IN THE DRINK

### SOFT DRINKS

Coke, Diet Coke, Coke Zero, Sprite, Mr. Pibb, Root Beer & Pink Lemonade  
2.95; Kid's size 2.25  
Free refills - dine-in only

### FRESH ICED TEA

2.75 Free refills - dine-in only

### HOT TEA

2.75 No free refills

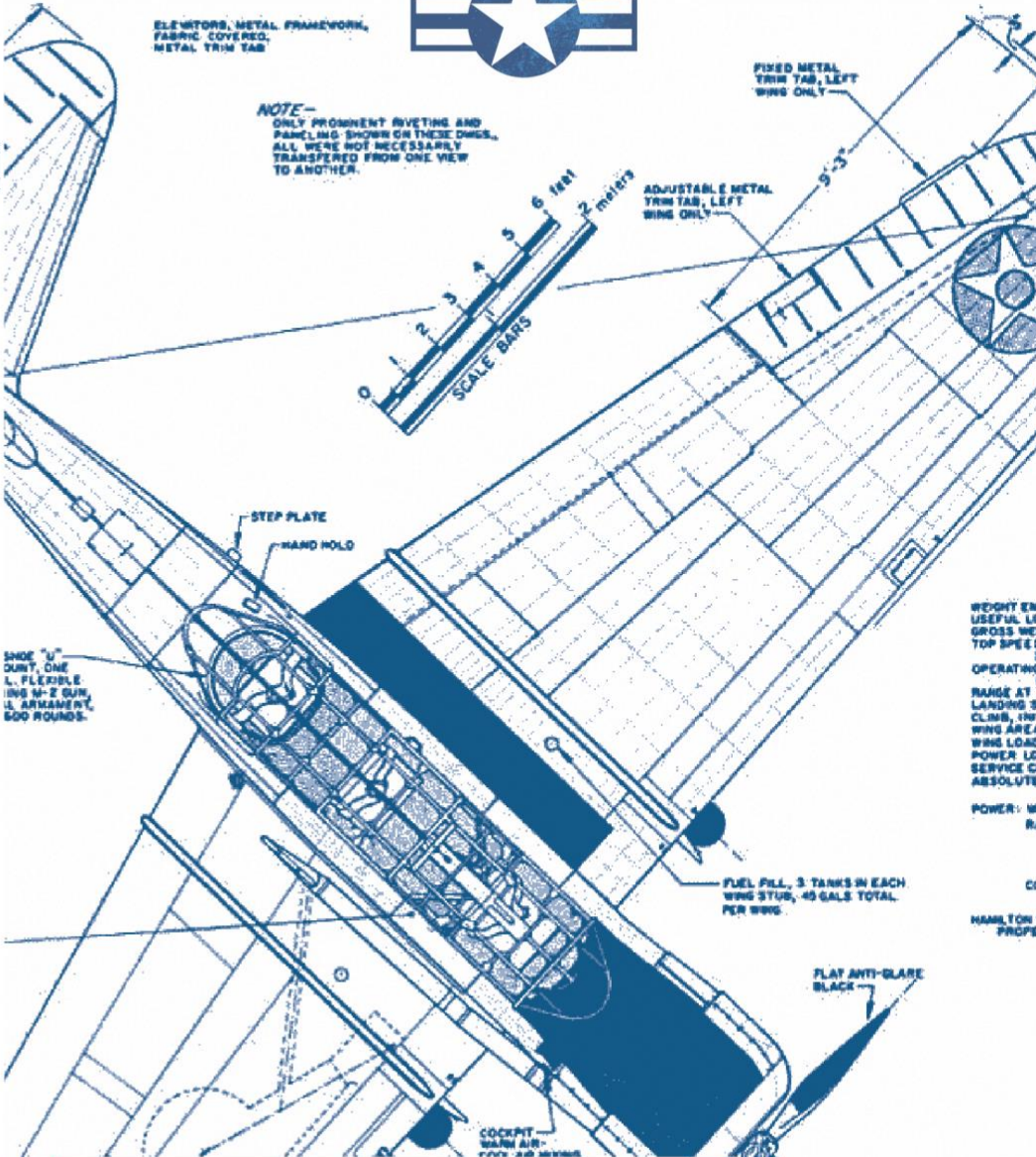
### HOT COFFEE

Regular or Decaff 2.75  
Free refills - dine-in only

### ICE COLD MILK

2.95 No free refills

# FLIGHT DECK



## RESTAURANT & ARCADE

109 OLD CHAPIN ROAD :: LEXINGTON S.C. USA

(803) 957-5990 | FLIGHTDECKRESTAURANT.NET

EST 1992



HISTORICAL AVIATION ALBUM

# CLEARED FOR TAKE-OFF!

REMOVE BEFORE FLIGHT

## CHORISITOS

Sausage pinwheels wrapped in puff pastry, baked & served with honey mustard. 8.75

## CHEESE STICKS

Mozzarella cheese sticks. Served with marinara sauce. 6.95

## FRIED GREEN BEANS

Served with ranch dressing. 8.95

## FRIED MUSHROOMS

Served with ranch dressing. 10.95

## WING AND A PRAYER

Served with celery and ranch or blue cheese. Half-dozen 11.25; Dozen 16.25  
Wing flavor choices: Mild, Teriyaki, Terri-Hot and Flamethrower-Hot

## BUCKET OF WINGS

(3 Dozen) Mix 'n' Match. 42.95 Served with celery & ranch or blue cheese.

## NACHOS GRANDE

Nachos baked with homemade chili, mozzarella & cheddar cheese, topped with tomatoes and jalapeños and served over a bed of lettuce with picante, guacamole & sour cream. 12.95

## CHICKEN QUESADILLA

Grilled tortilla stuffed with chicken, bacon, mozzarella and cheddar cheese. Served with picante, guacamole & sour cream. 11.95

## BATTERED ONION RINGS

Served with honey mustard. Small order 5.25; Large order 7.25

## ORDER ONLINE

or Call 803.957.5990  
for Pickup or Delivery.

Ask about our Family-Size  
To-Go Meals and Catering.

For delivery orders  
there is an 18% charge.

## BELLY LANDING IN THE FIELDS

Our dressings are homemade with natural ingredients and no preservatives. Choose from: Blue Cheese, Honey Mustard, Parmesan-Peppercorn, Grecian, Thousand Island, & Ranch.

### GREEK SALAD

Fresh salad topped with Greek feta cheese, onions, olives, tomatoes, pepperoncini peppers & homemade Grecian dressing. 11.25

### AMERICAN CHEF SALAD

Topped with sliced turkey, ham, bacon, mozzarella & cheddar cheeses. 11.25

### FLIGHT DECK PRIMO

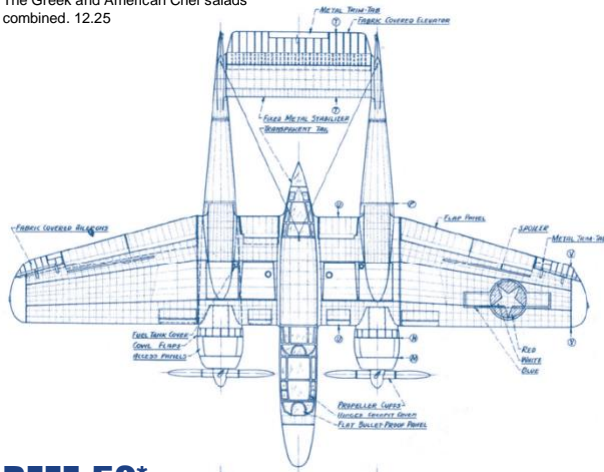
The Greek and American Chef salads combined. 12.25

### HOUSE SALAD

Fresh romaine lettuce, julienne carrots, red cabbage, onions and cherry tomatoes. 5.25

### ADD-ONS

Pepperoncini, Feta & Olives 4.95  
Pita Bread 1.95  
Ham or Roast Beef 4.95  
Fried Chicken Strips 4.95  
Grilled Chicken 4.95  
Grilled Salmon 8.95



## BEEF-52\*

Fresh 6 oz. charbroiled ground steak burger served on a sesame seed bun & topped with lettuce, tomato, onions, mayo & mustard. Comes with your choice of one side.

### WILDCAT\*

Cheeseburger topped with melted provolone. 10.95

### FLYING FORTRESS\*

Topped with crispy bacon & provolone cheese. 11.95

### LIBERATOR\*

With sautéed mushrooms & provolone cheese. 11.95

## BIRDS OF A FEATHER\*

All sandwiches served on a sesame seed bun & topped with lettuce, tomatoes, onions, mayo & mustard. Comes with your choice of one side.

### P-38 LIGHTNING\*

Grilled chicken sandwich, topped with crispy bacon & provolone. 11.95

### SPITFIRE\*

Crispy country style fried chicken sandwich. 9.95

### TAILGUNNER\*

Grilled filet of chicken sandwich. 9.95

### SOUTHERN CHICKEN TENDERS\*

Four or eight country fried chicken tenders. Served with honey mustard. Four chicken tenders 9.95  
Eight chicken tenders 13.95

### SPRUCE GOOSE\*

Grilled chicken sandwich topped with smoked ham & provolone cheese. 11.95

## PAPPY'S SPECIALTIES

Pappy's Specialties are sure to delight everyone's taste. All are served with your choice of two sides.

### RIBEYE STEAK\*

Charbroiled, Angus Beef 10 oz. Ribeye Steak. 19.95

### CHICKEN CORDON BLEU\*

Tender breast of chicken, stuffed with smoked ham & swiss cheese, breaded & fried. Served with our cream sauce over a bed of rice or mashed potatoes. 11.95

### FRESH GRILLED SALMON\*

8 oz. cooked to order fillet of salmon, seasoned with lemon, butter & Greek spices. Grilled to perfection. 17.95

### GRILLED CHICKEN DINNER\*

Two boneless, grilled & seasoned breast of chicken. 13.95

### CHICKEN STIR FRY\*

Grilled chicken with oriental vegetable mix, sautéed in teriyaki glaze & served on a bed of rice you're your choice of one side. 11.95

### HAMBURGER STEAK\*

8 Oz. Ground steak burger topped with grilled onions & provolone cheese. 11.95

### GRILLED PORK CHOPS\*

Two "Center Cut" pork chop dusted with spices, grilled to perfection and served with hot garlic butter sauce. Single pork chop 14.95

### "LEAD SLED"

Roast-beef platter, open face on toasted sourdough bread topped with seasoned brown gravy. 11.95

### SHISH-KABOBS\*

Two grilled chicken tenderloin kabobs skewered with bell peppers & onions. 12.95

## FLIGHT CADETS

### GRILLED CHEESE

Toasted sandwich with mozzarella & cheddar cheese. Comes with one side. 6.25

### CHEESE PIZZA

Mozzarella cheese. 6.25

### PEPPERONI PIZZA

With mozzarella cheese. 7.25

### CHICKEN TENDERS

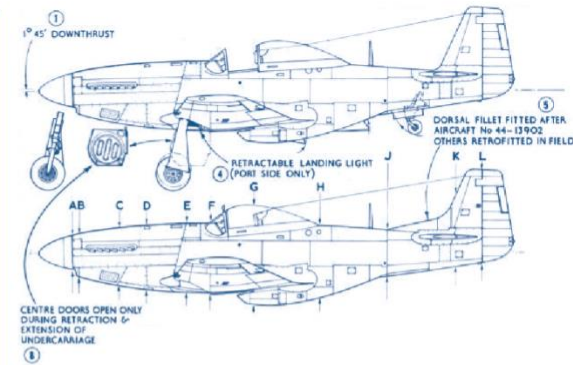
Three golden tenders served with your choice of a side and honey-mustard. 7.25

### TORPEDO

Corn dog with your choice of a side. 6.95

### KID'S SPAGHETTI

Delicious! 7.25



## BLUE PLATE SPECIAL

### Entrée + Two: 9.95

Choose an entrée & two sides.

### Veggie Plate: 7.95

Your choice of 4 sides items.

Add an iced tea or coffee for 2.75 or soft drink for \$2.95.  
Don't forget dessert – cheesecake, pies, cakes and baklava!

### ENTRÉE CHOICES

### ROASTED CHICKEN

¼ breast of chicken, white meat.

### FRIED PORK CHOP

Center-cut & country fried.

### COUNTRY FRIED STEAK

With homemade sawmill gravy.

### SOUTHERN FRIED CHICKEN

Southern fried 2-piece dinner. Choose white (breast and wing) or dark (thigh and drumstick).

### COUNTRY FRIED CHICKEN

With homemade sawmill gravy.

### FRIED FLOUNDER

Served with hush puppies and tartar or cocktail sauce.

### CHICKEN TENDERS

Four golden tenders served with honey mustard.

### FRIED POPCORN SHRIMP

Served with hush puppies and tartar or cocktail sauce.

### HOMEMADE MEATLOAF

Order with either spicy tomato sauce or brown gravy.

### HOMEMADE SPAGHETTI

Served with garlic bread.

### POT ROAST

Slowly cooked to perfection.

### CHOICE OF SIDES

- French Fries
- Rice
- Collard Greens\*\*
- Potato Salad
- Honey Buttered Carrots\*\*
- Greek Potatoes\*\*
- Broccoli\*\*
- Lima Beans\*\*
- Mac & Cheese
- Sweet Potato Soufflé
- Fried Okra
- Cucumber Salad\*\*
- House Salad\*\*
- Sweet Potato Waffle Fries
- Mashed Potatoes & Gravy
- Green Beans\*\*

Substitute Onion Rings, Fried Eggplant or Baked Potato for 1.75 more.

\*\* Gluten Free item.

THANK YOU FOR YOUR BUSINESS AND GOD BLESS

\* Consumer Advisory: Consuming raw or undercooked meats, seafood, shellfish or eggs, may increase a risk of foodborne illness. All our entrees are cooked to 165° (minimum) or at least medium well.