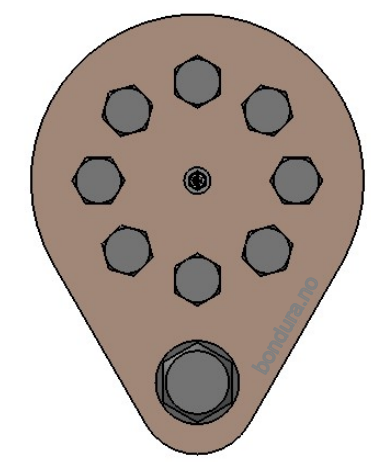
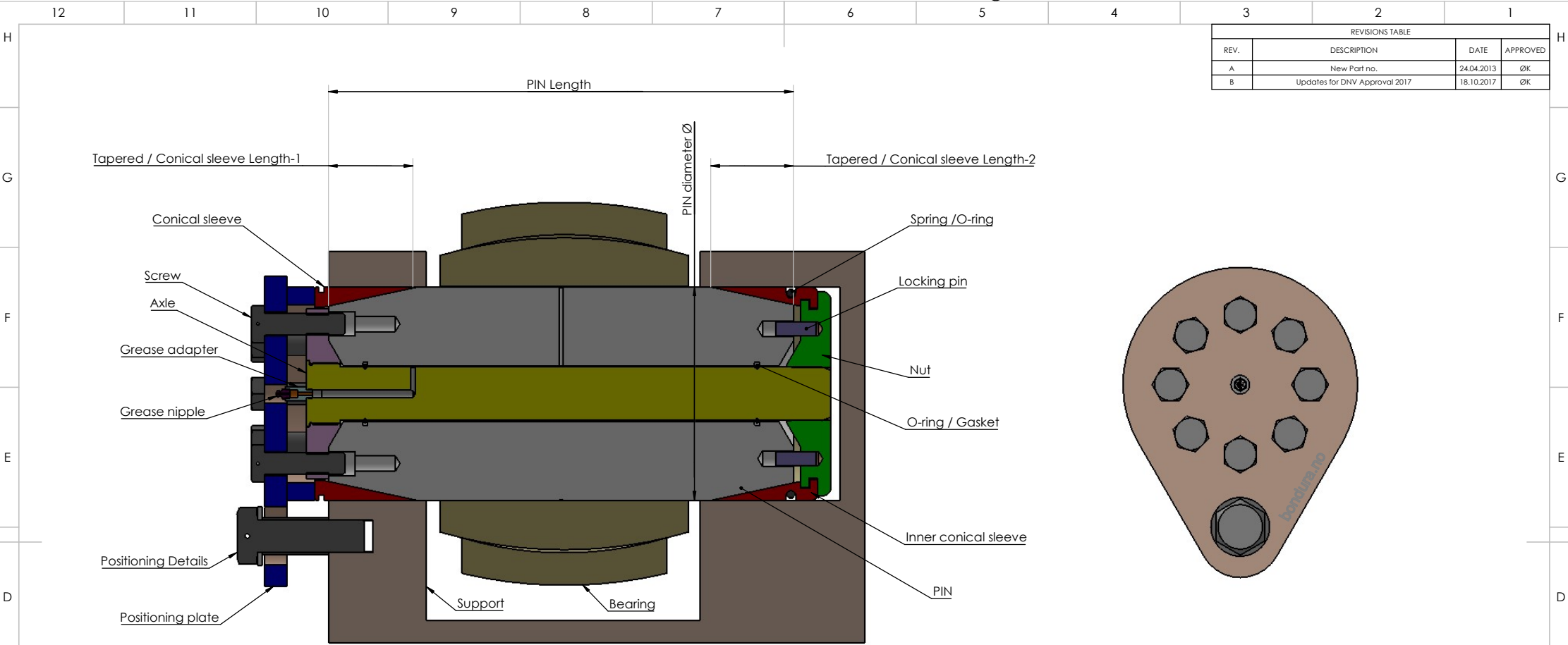


REVISIONS TABLE			
REV.	DESCRIPTION	DATE	APPROVED
A	New Part no.	24.04.2013	ØK
B	Updates for DNV Approval 2017	18.10.2017	ØK

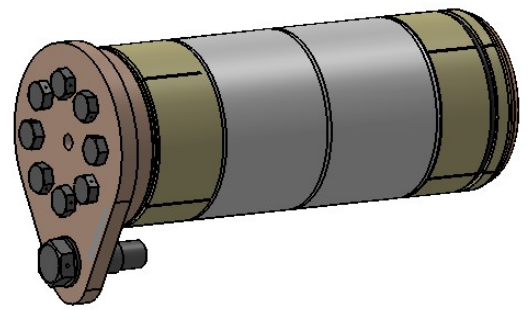


Detailed explanation of a bondura® assembly, as per Bondura Technology's Material Traceability List

Example: bondura 6.1.200.0400.L-60.43

bondura® type: 6.1
 PIN diameter: Ø200mm
 PIN length: 400mm
 lubrication: L= single lubrication
 D= double lubrication
 U= without lubrication

Tapered / Conical sleeve length-1: 60mm
 Tapered / Conical sleeve length-2: 43mm



Date: 24.04.2013		Drawn by: Nina	App. by: ØK	Project used:	Size: A2	The bondura® pivot pin is a patented product and is thus protected under patent legislations and product rights.
Product Description: bondura 6.1. Ø140-Ø500		GENERAL ARRANGEMENT		Sheet: 1 of 1	Revision: B	
Drawing No.: GA-4517		Material:		Weight: 403.72 kg	Ref. to: Module: Art no: Status: Approved	

