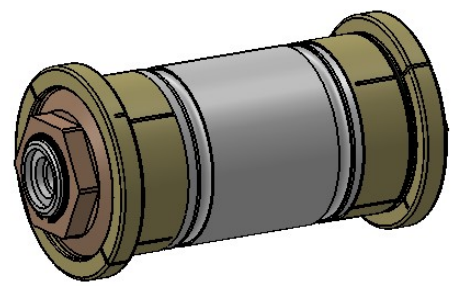
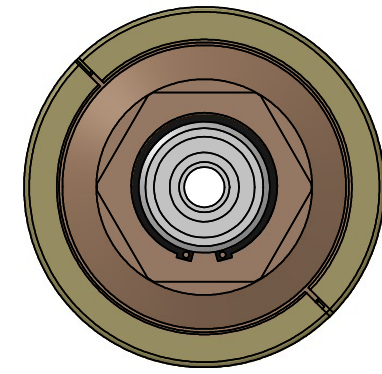
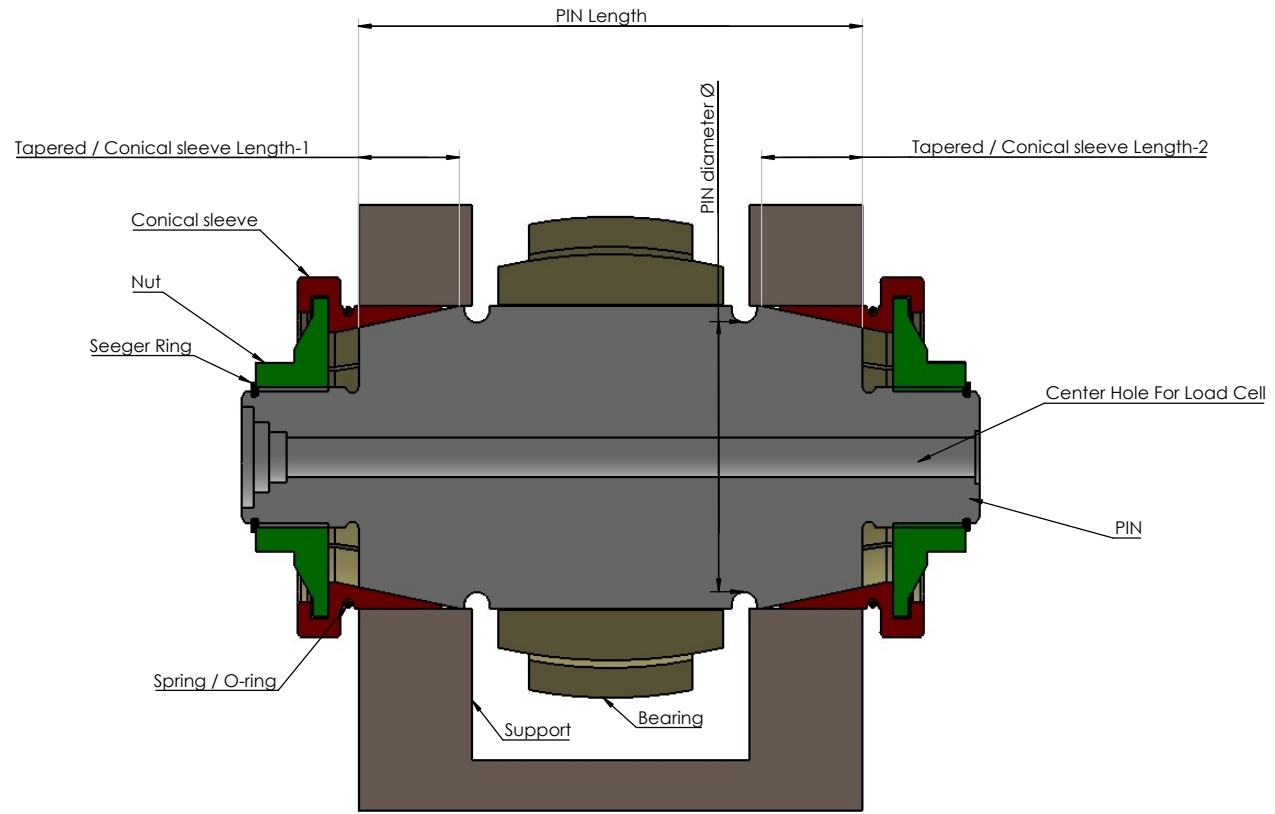


REVISIONS TABLE			
REV.	DESCRIPTION	DATE	APPROVED
A	For DNV Approval 2017	07.11.2017	ØK
B	Updates for DNV Approval 2017	09.11.2017	ØK



Detailed explanation of a bondura® assembly, as per Bondura Technology's Material Traceability List

Example: bondura 3.3-LC.120.0300.U-40.40

bondura® type: 3.3-LC
 PIN diameter: Ø120mm
 PIN length: 300mm
 lubrication: L= single lubrication
 D= double lubrication
 U= without lubrication

Tapered / Conical sleeve length-1: 40mm
 Tapered / Conical sleeve length-2: 40mm

		The bondura® pivot pin is a patented product and is thus protected under patent legislations and product rights.	
Date: 07.11.2017	Drawn by: Tor	App. by: ØK	Project used:
Product Description: bondura 3.3-LC. Ø50-Ø500 (Load Cell)	Size: A2	Sheet: 1 of 1	
GENERAL ARRANGEMENT	Drawing No.: GA-0362	Revision: B	
Material:	Weight: 32.41 kg	Ref. to:	Status: Approved