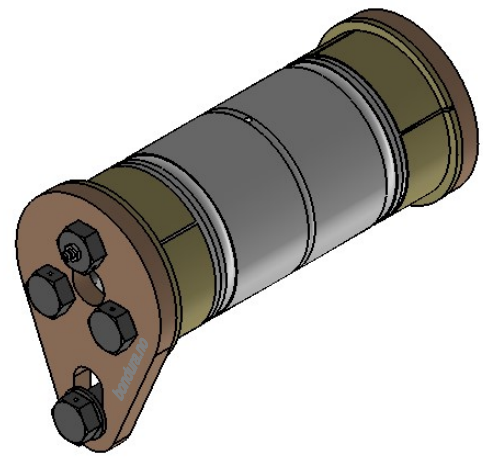
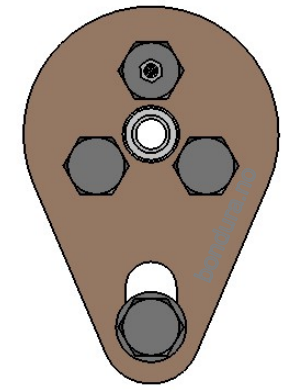
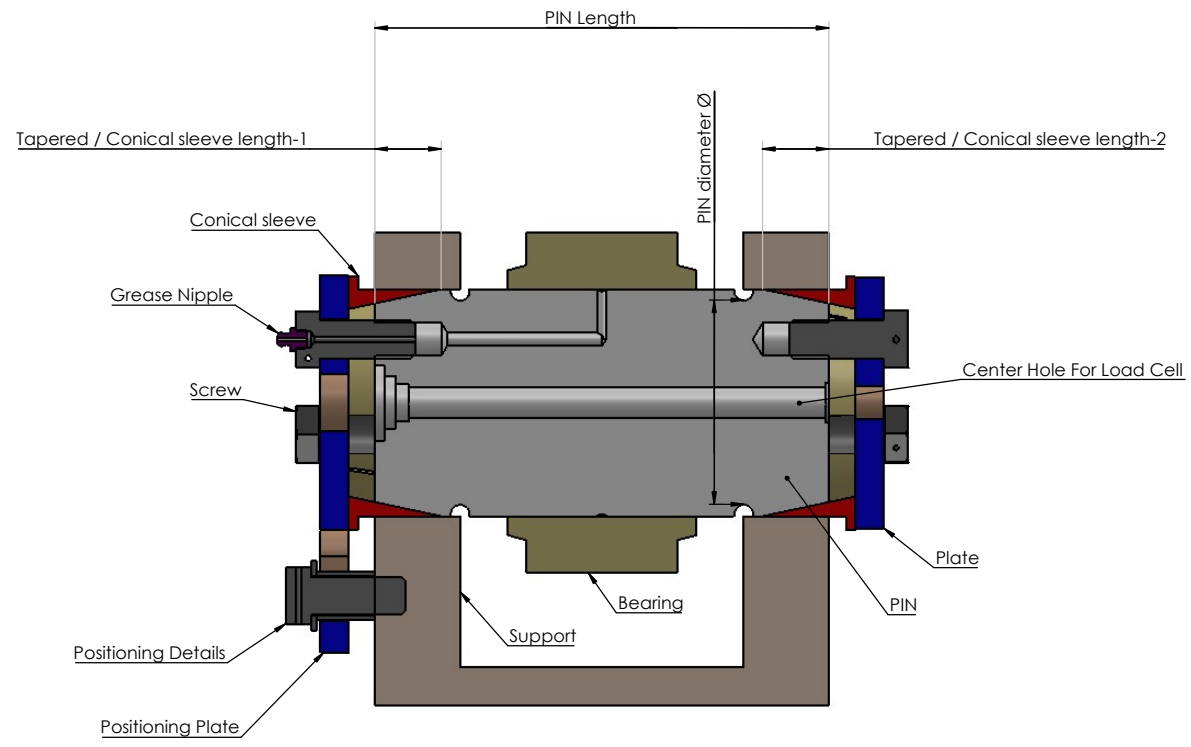


REVISIONS TABLE			
REV.	DESCRIPTION	DATE	APPROVED
A	Ø40-500 was Ø40-360	16.04.2013	TorG
B	Updates for DNV Approval 2017	01.08.2017	ØK



Detailed explanation of a bondura® assembly, as per Bondura Technology's Material Traceability List

Example: bondura 6.6-LC.120.0240.L-35.35

bondura® type: 6.6-LC  
 PIN diameter: Ø120 mm  
 PIN length: 240 mm  
 lubrication: L= single lubrication  
                   D= double lubrication  
                   U= without lubrication

Tapered / Conical sleeve length-1: 35 mm  
 Tapered / Conical sleeve length-2: 35 mm

The bondura® pivot pin is a patented product and is thus protected under patent legislations and product rights.

Date: 16.08.2004	Drawn by: Tor	App. by: ØK	Project used:	Size: A2
Product Description: bondura 6.6-LC Ø40-Ø500 (Load Cell)				Sheet: 1 of 1
GENERAL ARRANGEMENT				Revision: B
Material:	Weight: 36.34 kg	Ref. to:	Module:	Art no: GA-0360
Status: Approved				