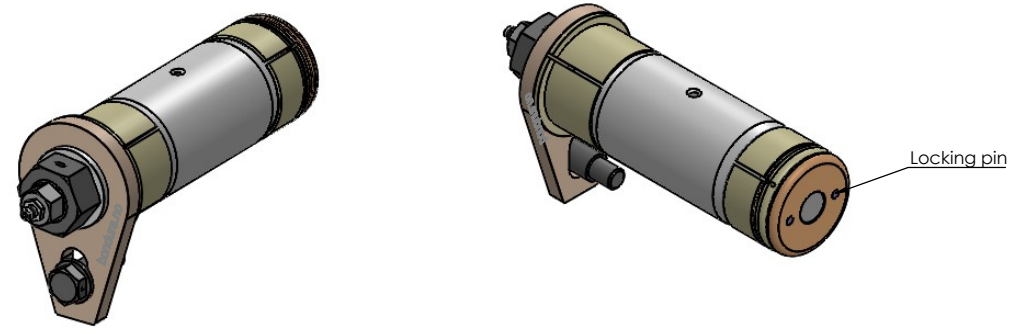
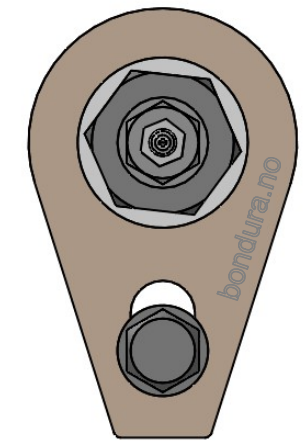
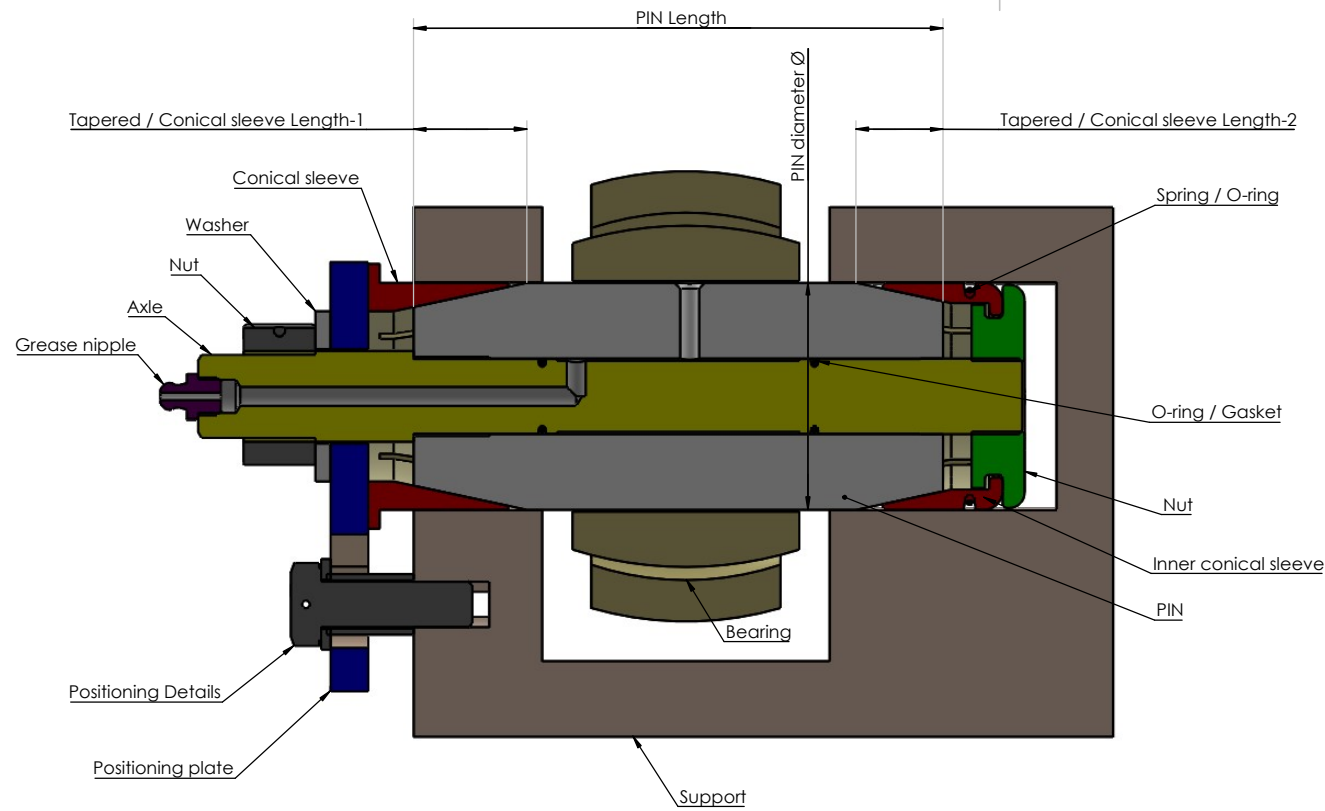


REVISIONS TABLE			
REV.	DESCRIPTION	DATE	APPROVED
A	New locking plate	15.01.1999	AAa
B	Drawing traceability	16.08.2004	AAa
C	Ø60-Ø99 was Ø60-Ø95	11.04.2013	TorG
D	Updates for DNV Approval 2017	13.07.2017	ØK



Detailed explanation of a bondura® assembly, as per Bondura Technology's Material Traceability List

Example: bondura 6.1.080.0156.L-30.33
 bondura® type: 6.1
 PIN diameter: Ø80mm
 PIN length: 156mm
 lubrication: L= single lubrication
 D= double lubrication
 U= without lubrication

Tapered / Conical sleeve length-1: 30mm
 Tapered / Conical sleeve length-2: 33mm

Date: 15.10.1998		Drawn by: Nirna	App. by: ØK	Project used:	Size: A2	The bondura® pivot pin is a patented product and is thus protected under patent legislations and product rights.
Product Description: bondura 6.1. Ø59-Ø99		GENERAL ARRANGEMENT		Sheet: 1 of 1		
Drawing No.: GA-0330		Revision: D		Status: Approved		
Material:	Weight: 7.99 kg	Ref. to:	Module:	Art no:		