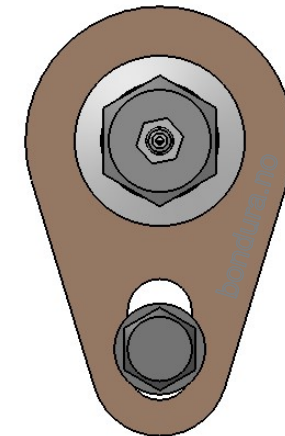


REVISIONS TABLE			
REV.	DESCRIPTION	DATE	APPROVED
A	New Positon Plate	14.10.1998	AAa
B	Drawing traceability	16.08.2004	AAa
C	Ø25-69 was Ø25-65	12.04.2013	TorG
D	Updates for DNV Approval 2017	11.07.2017	ØK

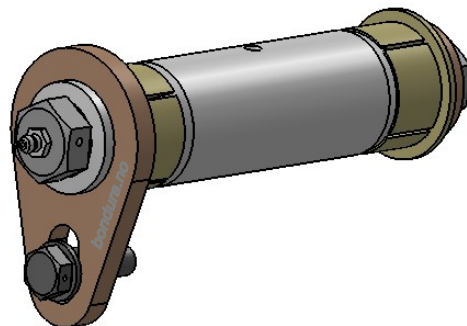


Detailed explanation of a bondura® assembly, as per Bondura Technology's Material Traceability List

Example: bondura 6.6.050.0230.L-20.20

bondura® type: 6.6
 PIN diameter: Ø50mm
 PIN length: 230mm
 lubrication: L= single lubrication
 D= double lubrication
 U= without lubrication

Tapered / Conical sleeve length-1: 20mm
 Tapered / Conical sleeve length-2: 20mm



The bondura® pivot pin is a patented product and is thus protected under patent legislations and product rights.

Date: 15.10.1998	Drawn by: Nirna	App. by: ØK	Project used:	Size: A2
Product Description: bondura 6.6. Ø25-Ø69				Sheet: 1 of 1
GENERAL ARRANGEMENT				Drawing No.: GA-0324
Material:	Weight: 6.38 kg	Ref. to:	Module:	Art no:
				Status: Approved



Revision: D