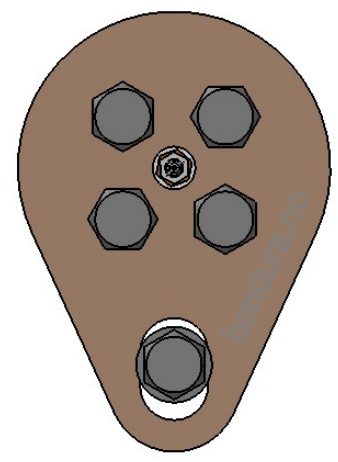
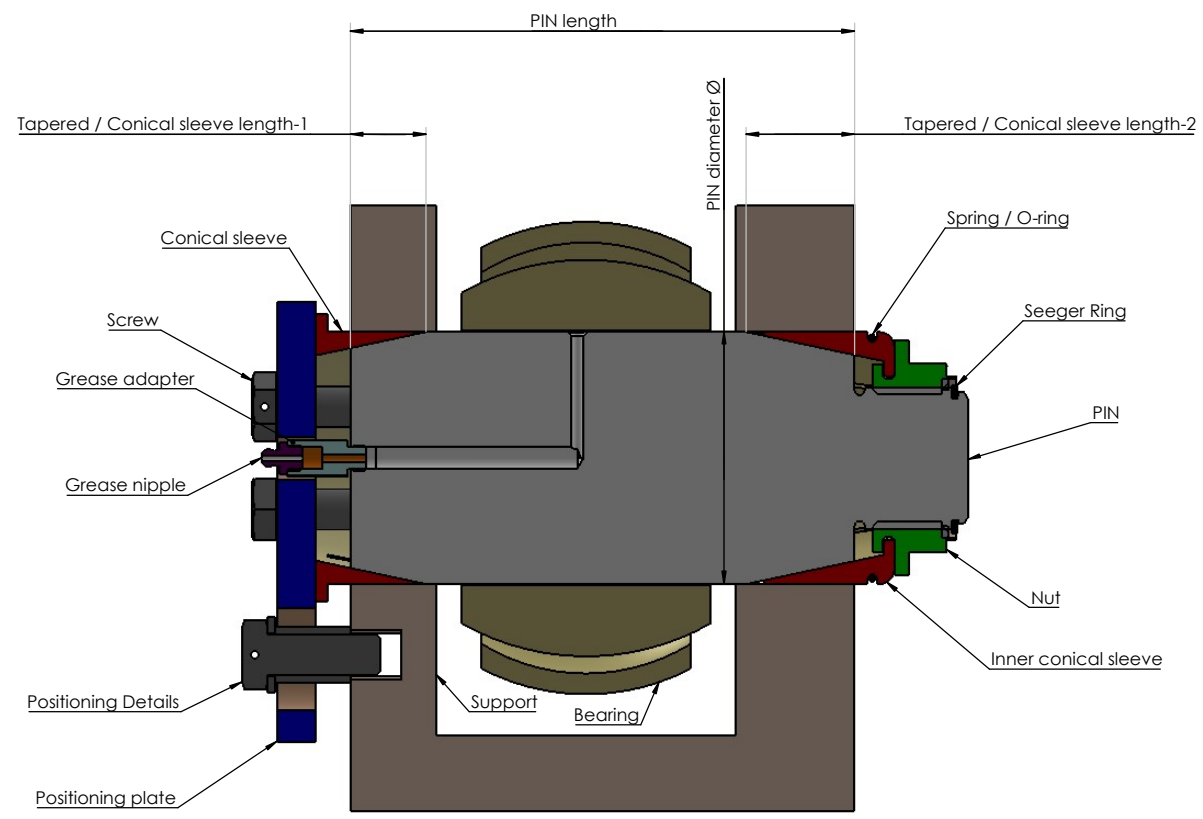


REVISIONS TABLE			
REV.	DESCRIPTION	DATE	APPROVED
A	New nut	14.11.1999	AAg
B	Drawing traceability	16.08.2004	AAg
C	Ø70-500 was Ø70-120	19.04.2013	TorG
D	Updates for DNV Approval 2017	11.07.2017	ØK

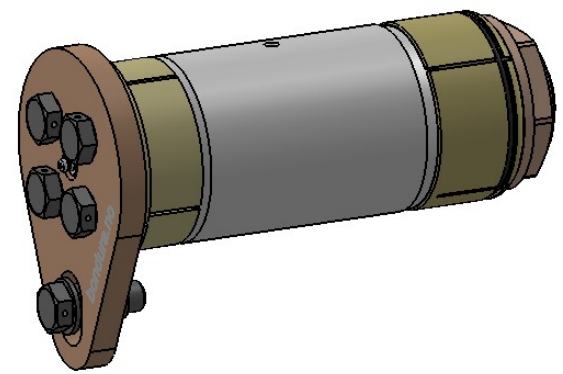


Detailed explanation of a bondura® assembly, as per Bondura Technology's Material Traceability List

Example: bondura 6.2.070.0267.L-30.23

bondura® type: 6.2  
 PIN diameter: Ø70mm  
 PIN length: 267mm  
 lubrication: L= single lubrication  
                   D= double lubrication  
                   U= without lubrication

Tapered / Conical sleeve length-1: 30mm  
 Tapered / Conical sleeve length-2: 23mm



		The bondura® pivot pin is a patented product and is thus protected under patent legislations and product rights.	
Date: 15.10.1998	Drawn by: Nirna	App. by: ØK	Project used:
Product Description: bondura 6.2. Ø55-Ø500		Size: A2	Sheet: 1 of 1
GENERAL ARRANGEMENT		Drawing No.: GA-0338	
Material:	Weight: 27.78 kg	Ref. to:	Module: Art no: Status: Approved