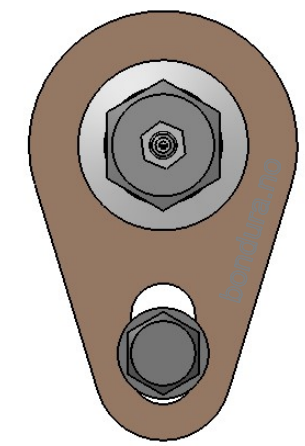
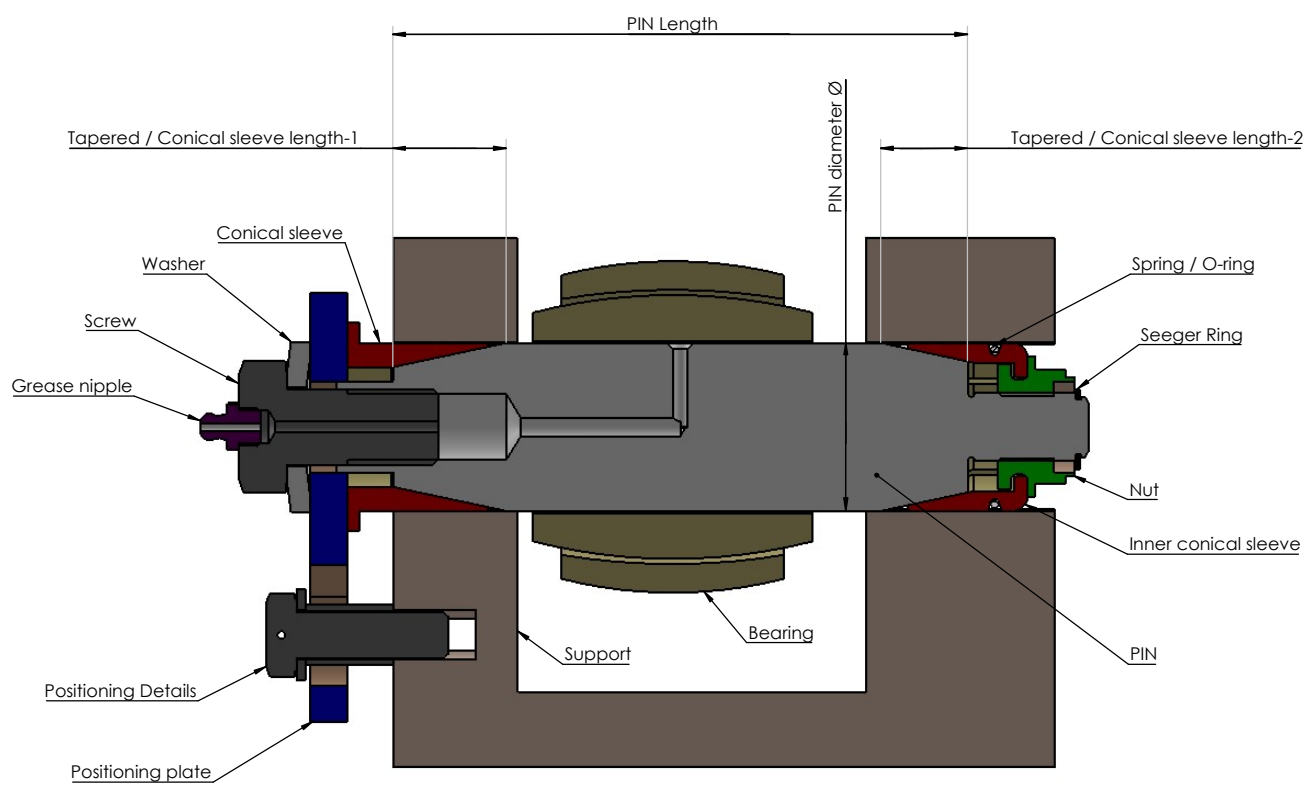


REVISIONS TABLE			
REV.	DESCRIPTION	DATE	APPROVED
A	New positioning plate	14.11.1999	AAa
B	Drawing traceability	16.08.2004	AAa
C	Ø25-Ø69 was Ø60-Ø65	19.04.2013	TorG
D	Updates for DNV Approval 2017	19.07.2017	ØK

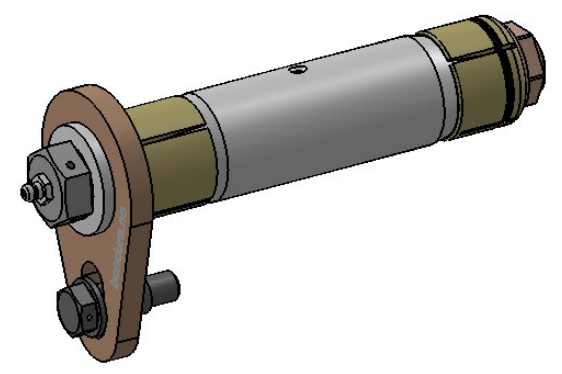


Detailed explanation of a bondura® assembly, as per Bondura Technology's Material Traceability List

Example: bondura 6.2.065.0160.L-30.23

- bondura® type: 6.2
- PIN diameter: Ø65mm
- PIN length: 160mm
- lubrication: L= single lubrication
D= double lubrication
U= without lubrication

Tapered / Conical sleeve length-1: 30mm
Tapered / Conical sleeve length-2: 23mm



The bondura® pivot pin is a patented product and is thus protected under patent legislations and product rights.

Date: 15.10.1998	Drawn by: Nirna	App. by: ØK	Project used:	Size: A2
Product Description: bondura 6.2. Ø25-Ø69				Sheet: 1 of 1
GENERAL ARRANGEMENT				Drawing No.: GA-0339
Material:	Weight: 5.40 kg	Ref. to:	Module:	Art no: Status: Approved