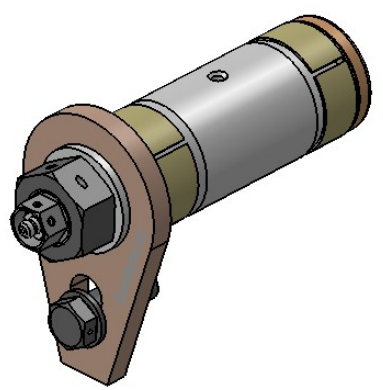
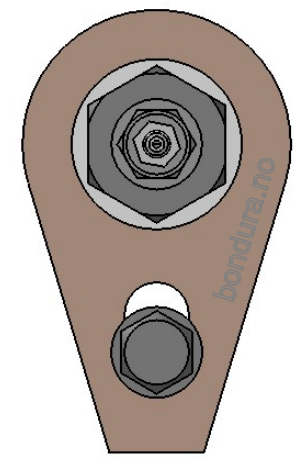
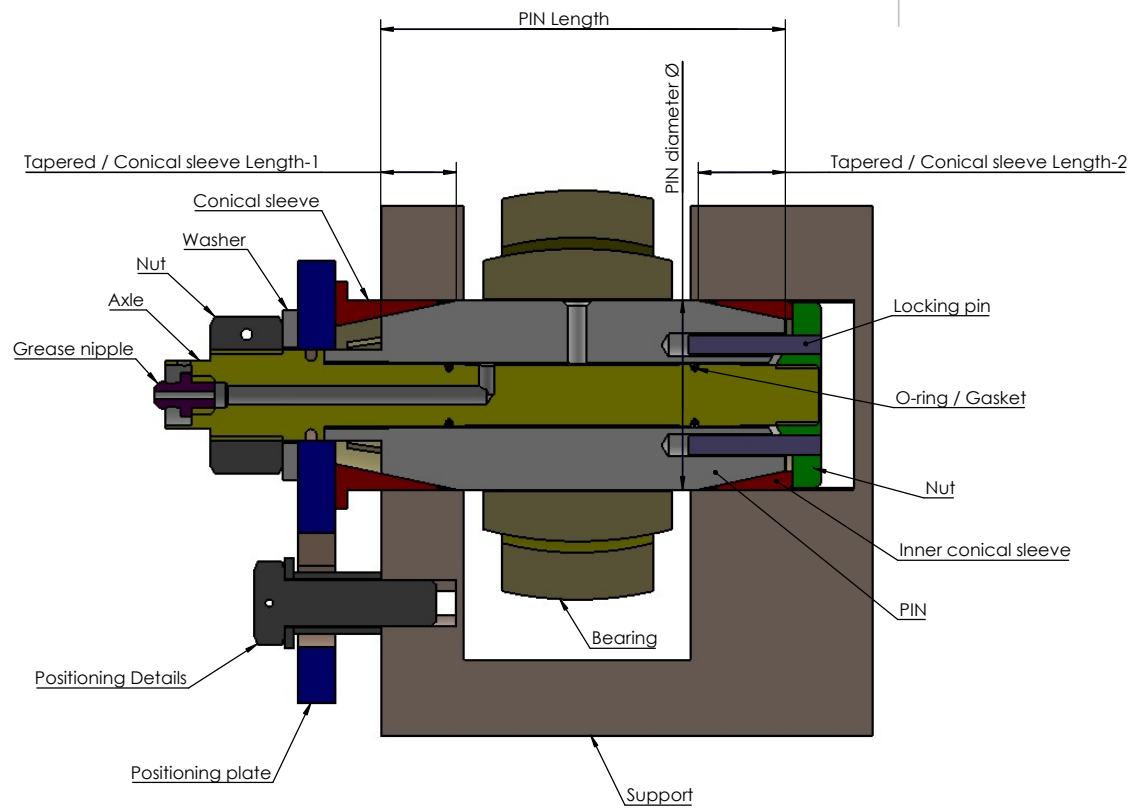


REVISIONS TABLE			
REV.	DESCRIPTION	DATE	APPROVED
A	New part no.	14.11.1999	AAg
B	Drawing traceability	16.08.2004	AAg
C	Ø30-Ø59 was 44,4-57,1	11.04.2013	TorG
D	Updates for DNV Approval 2017	12.07.2017	ØK



Detailed explanation of a bondura® assembly, as per Bondura Technology's Material Traceability List

Example: bondura 6.1.050.0230.L-20.20
 bondura® type: 6.1
 PIN diameter: Ø50mm
 PIN length: 230mm
 lubrication: L= single lubrication
 D= double lubrication
 U= without lubrication

Tapered / Conical sleeve length-1: 20mm
 Tapered / Conical sleeve length-2: 20mm

		The bondura® pivot pin is a patented product and is thus protected under patent legislations and product rights.	
Date: 09.02.1999	Drawn by: Nirna	App. by: ØK	Project used:
Product Description: bondura 6.1 Ø20-Ø59		Size: A2	Sheet: 1 of 1
GENERAL ARRANGEMENT		Revision: GA-0328	
Material:	Weight: 5.28 kg	Ref. to:	Module: Art no: Status: Approved