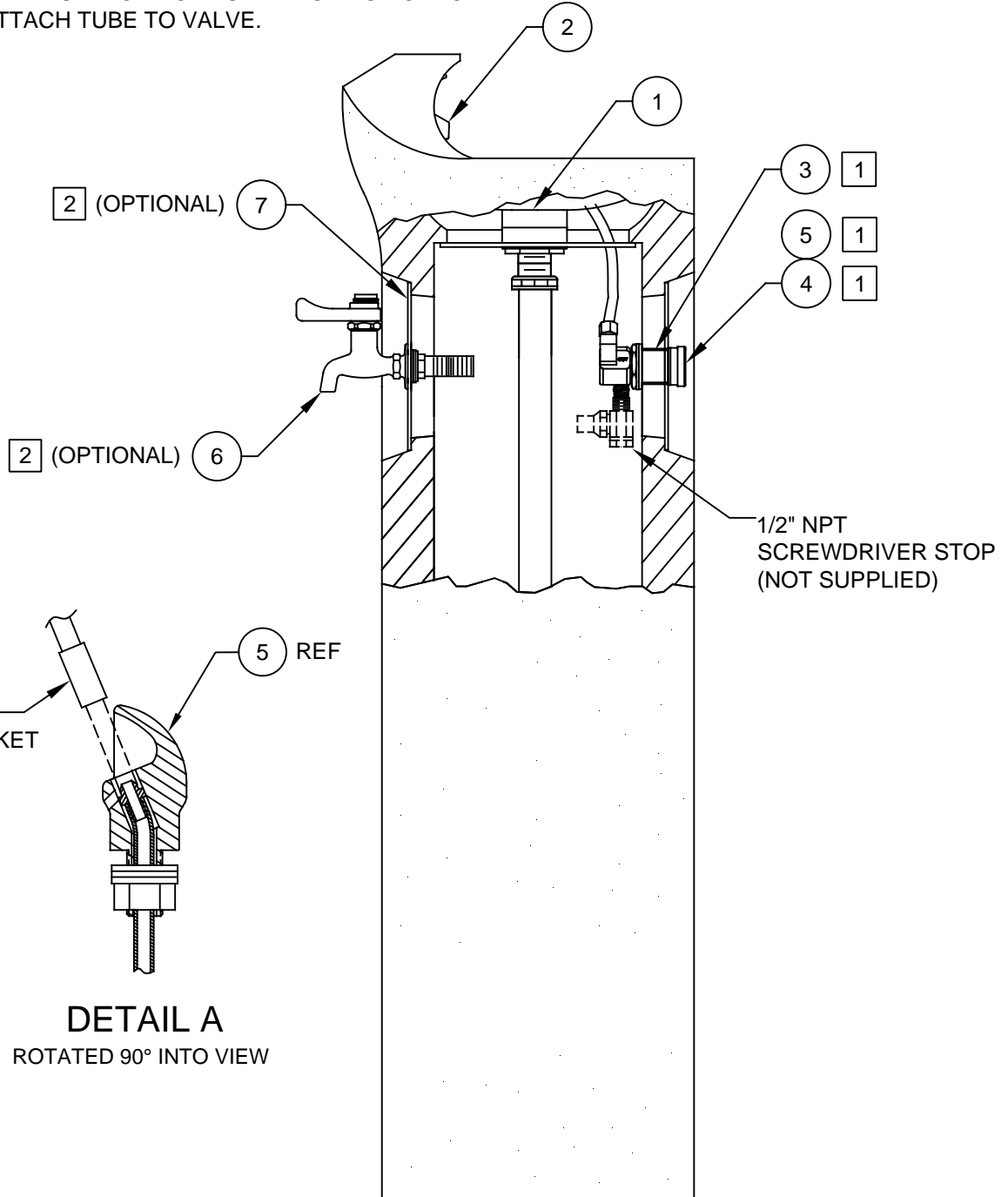


ITEM	DESCRIPTION	PART NO.
1	STRAINER WASTE ASSY, PCP	6461
2	BUBBLER HEAD ASSY, PCP	5701SL
3	BUTTON, PUSH, NON-FLANGED, PCP	5874PB
4	VALVE REPAIR KIT	VRK5874
5	PUSH BUTTON ASSY	PBA7
6	VALVE, BIB FAUCET, PCP	6250LF
7	PLATE, ACCESS, 3060, W/ HOLE	0004499489

\* DENOTES OPTIONAL PART.

NOTES:

- 1 5874PB (ITEM 3) INCLUDES VRK5874 CARTRIDGE ASSEMBLY (ITEM 4) AND PBA7 RECESSED PUSH BUTTON (ITEM 5).
- 2 USE MODEL 6250LF WITH ACCESS PLATE, PN 0004499469.
- 3 ENSURE TUBE IS DISCONNECTED FROM PUSH BUTTON VALVE BODY PRIOR TO REMOVAL. APPLY ONE DROP OF LOCTITE 222MS TO NOZZLE THREADS PRIOR TO FASTENING BACK ONTO BUBBLER HEAD. RE-ATTACH TUBE TO VALVE.



# PARTS BREAKDOWN

		1455 KLEPPE LANE SPARKS, NEVADA 89431 (775) 359-4712 FAX (775) 359-7424 E-MAIL: HAWS@HAWSCO.COM WEBSITE: WWW.HAWSCO.COM	
		ECN NO. REVISED PER BY ECN: 5286 JP	MODEL(S) 3060
DRAWN DATE CHKD D> OLLOM 11/25/95 VWC	APPROVED DATE FV 03/07/18	SCALE: 1:6 DRAWING TYPE: PARTS BREAKDOWN	REVISION 18
WHEN ORDERING PARTS PLEASE SPECIFY MODEL NUMBER.			SIZE: A SHEET 1 OF 1